

2018



PGM-FI RACING TRIAL 260

PGM-FI Racing Trial

Part List

MONTESA HONDA, S.A.U.

PART LIST

COTA 4RT 2018

MONTESA COTA 4RT

The following diagram shows the 4 different versions of the COTA 4RT model:

(ED) Street version, COTA 4RT-260



(2ED) Street version, COTA 4RT RACE REPLICA



(3ED) Racing version, COTA 4RT-260



(4ED) Racing version, COTA 4RT RACE REPLICA



All information in this publication is based on the latest product information available at the time of approval for printing.
MONTESA HONDA, S.A.U. reserves the right to make changes at any time without notice and without incurring any obligation.
No part of this publication may be reproduced without written permission.

**ILLUSTRATION MANAGEMENT NUMBER (IDENTIFICATION)
FOR '18 COTA 4RT PARTS LIST**

ENGINE GRUP	ILLUSTRATION NUMBER	FRAME GRUP	NÚMERO DE ILUSTRACIÓN
Cylinder head	E-1	Cable / Switch	F-1
Camshaft / Valve	E-2	Front brake master cylinder	F-2
Camchain / Tensioner	E-3	Clutch master cylinder	F-3
Cylinder	E-4	Steering handle pipe / Top bridge / Head light	F-4 (ED/2ED)
RH. Crankcase cover	E-5	Steering handle pipe / Top bridge	F-4 (3ED/4ED)
Clutch	E-6	Steering stem	F-5
Oil pump	E-7	Front fender	F-6
Water pump	E-8	Front fork (Tech)	F-7 (ED/3ED)
LH. Crankcase cover	E-9	Front fork (Showa)	F-7 (2ED/4ED)
Generator	E-10	Front brake caliper	F-8 (ED/3ED)
Crankcase	E-11	Front brake caliper	F-8 (2ED/4ED)
Crankshaft / Piston	E-12	Front wheel	F-9 (ED/3ED)
Transmission	E-13	Front wheel	F-9 (2ED/4ED)
Gearshift drum	E-14	Rear brake caliper	F-10
Kick starter spindle	E-15	Rear brake master cylinder	F-11
Throttle body / Injector	E-16	Rear wheel	F-12
		Fuel tank / Fuel pump	F-13 (ED/2ED)
		Fuel tank / Fuel pump	F-13 (3ED/4ED)
		Rear fender	F-14
		Air cleaner	F-15
		Exhaust muffler	F-16
		Pedal / Kick starter arm	F-17
		Stand / Step	F-18
		Swingarm	F-19
		Rear cushion (Ollé)	F-20 (ED/3ED)
		Rear cushion (Showa)	F-20 (2ED/4ED)
		Wire harness	F-21
		Radiator	F-22
		Frame body	F-23
		Emblem / Stripe	F-24 (ED/3ED)
		Emblem / Stripe	F-24 (2ED/4ED)
		Optional parts (Replica)	F-25
		Optional parts	F-26

CONTENTS OF '18 COTA 4RT PARTS LIST

INSTRUCTIONS FOR USE OF PARTS LIST	9
--	---

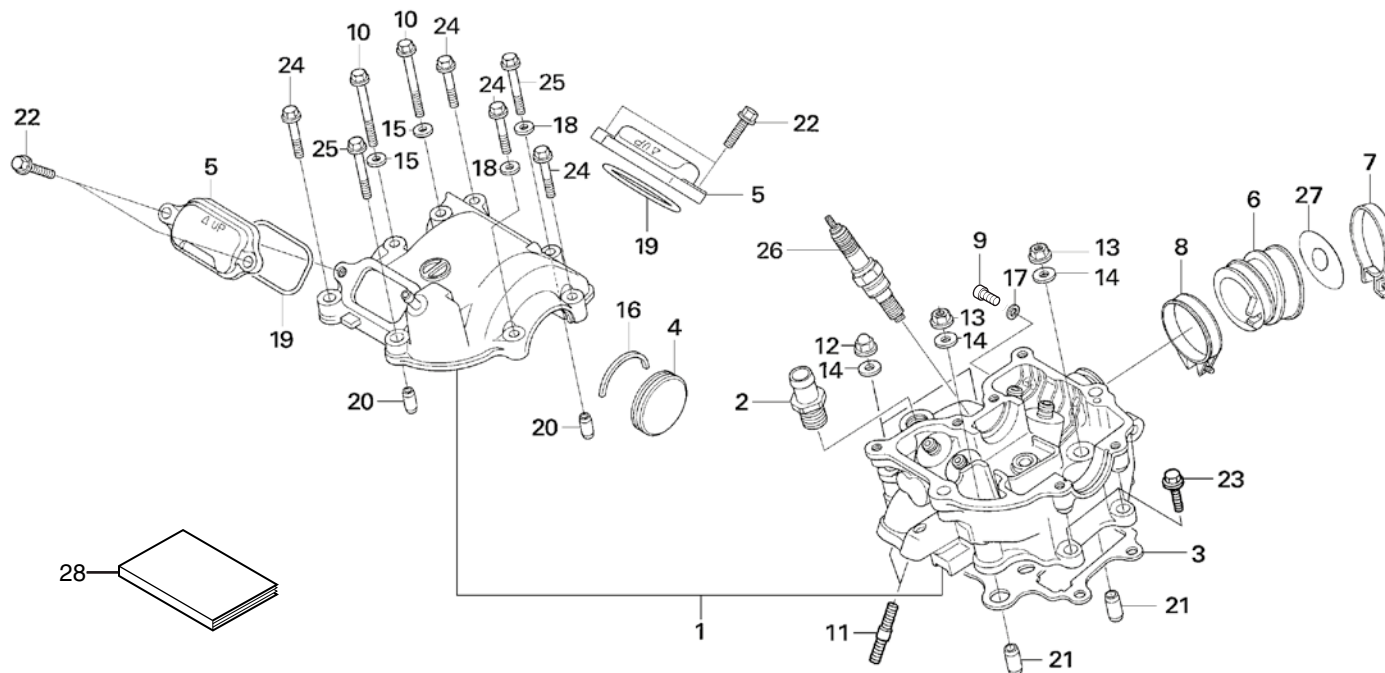
ENGINE GROUP

E-01	Cylinder head	6
E-02	Camshaft / Valve.....	8
E-03	Camchain / Tensioner.....	9
E-04	Cylinder	10
E-05	RH. Crankcase cover.....	11
E-06	Clutch	12
E-07	Oil pump	13
E-08	Water pump	14
E-09	LH. Crankcase cover.....	15
E-10	Generator.....	16
E-11	Crankcase.....	17
E-12	Crankshaft / Piston.....	19
E-13	Transmission.....	20
E-14	Gearshift drum.....	21
E-15	Kick starter spindle.....	22
E-16	Throttle body / Injector	23

FRAME GROUP

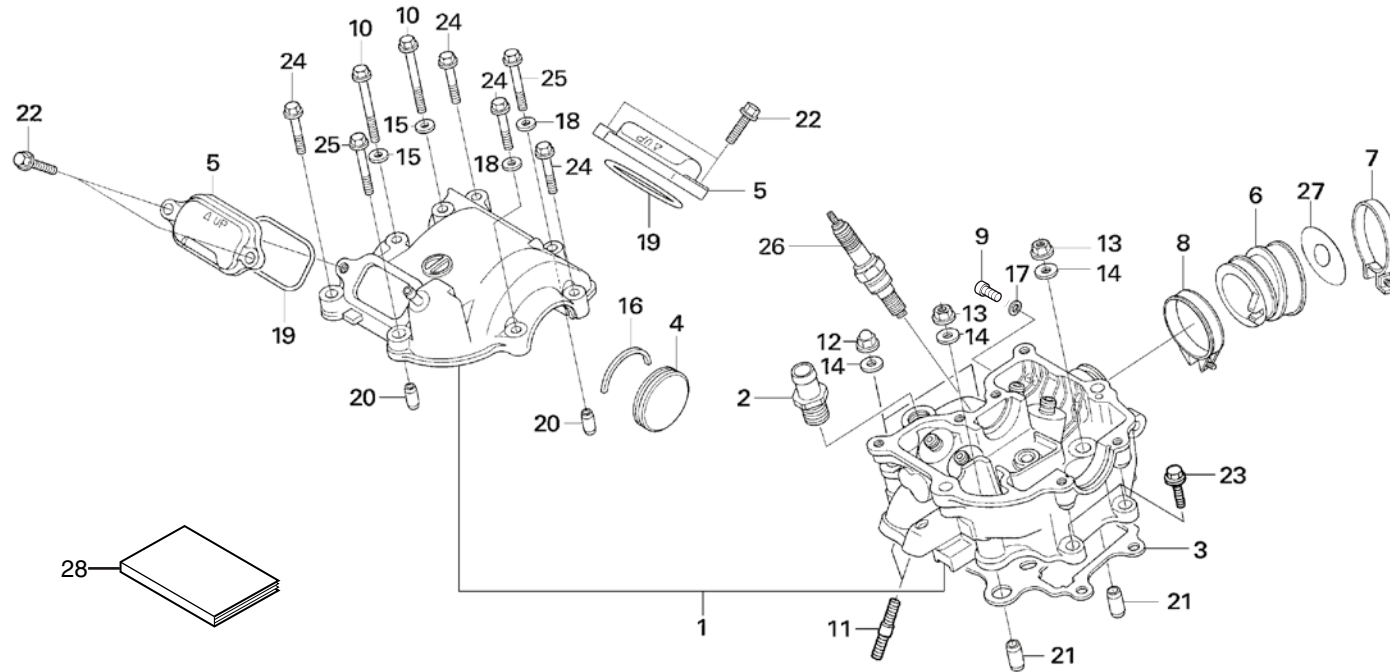
F-1	Cable / Switch	24
F-2	Front brake master cylinder.....	25
F-3	Clutch master cylinder.....	26
F-4 (ED/2ED)	Steering handle pipe / Top bridge / Head light.....	27
F-4 (3ED/4ED)	Steering handle pipe / Top bridge	29
F-5	Steering stem	30
F-6	Front fender	31
F-7 (ED/3ED)	Front fork (Tech).....	32
F-7 (2ED/4ED)	Front fork (Showa)	33
F-8 (ED/3ED)	Front brake caliper.....	34
F-8 (2ED/4ED)	Front brake caliper.....	35
F-9 (ED/3ED)	Front wheel.....	36
F-9 (2ED/4ED)	Front wheel.....	37
F-10	Rear brake caliper	38
F-11	Rear brake master cylinder	39
F-12	Rear wheel.....	40
F-13 (ED/2ED)	Fuel tank / Fuel pump.....	42
F-13 (3ED/4ED)	Fuel tank / Fuel pump.....	43
F-14	Rear fender	44
F-15	Air cleaner.....	45
F-16	Exhaust muffler.....	46
F-17	Pedal / Kick starter arm.....	47
F-18	Stand / Step	48
F-19	Swingarm.....	49
F-20 (ED/3ED)	Rear cushion (Ollé)	51
F-20 (2ED/4ED)	Rear cushion (Showa).....	52
F-21	Wire harness.....	53
F-22	Radiator	55
F-23	Frame body	56
F-24 (ED/3ED)	Emblem / Stripe.....	57
F-24 (2ED/4ED)	Emblem / Stripe.....	58
F-25	Optional parts (Replica)	59
F-26	Optional parts	60

Block N.º
E-1
Cylinder head



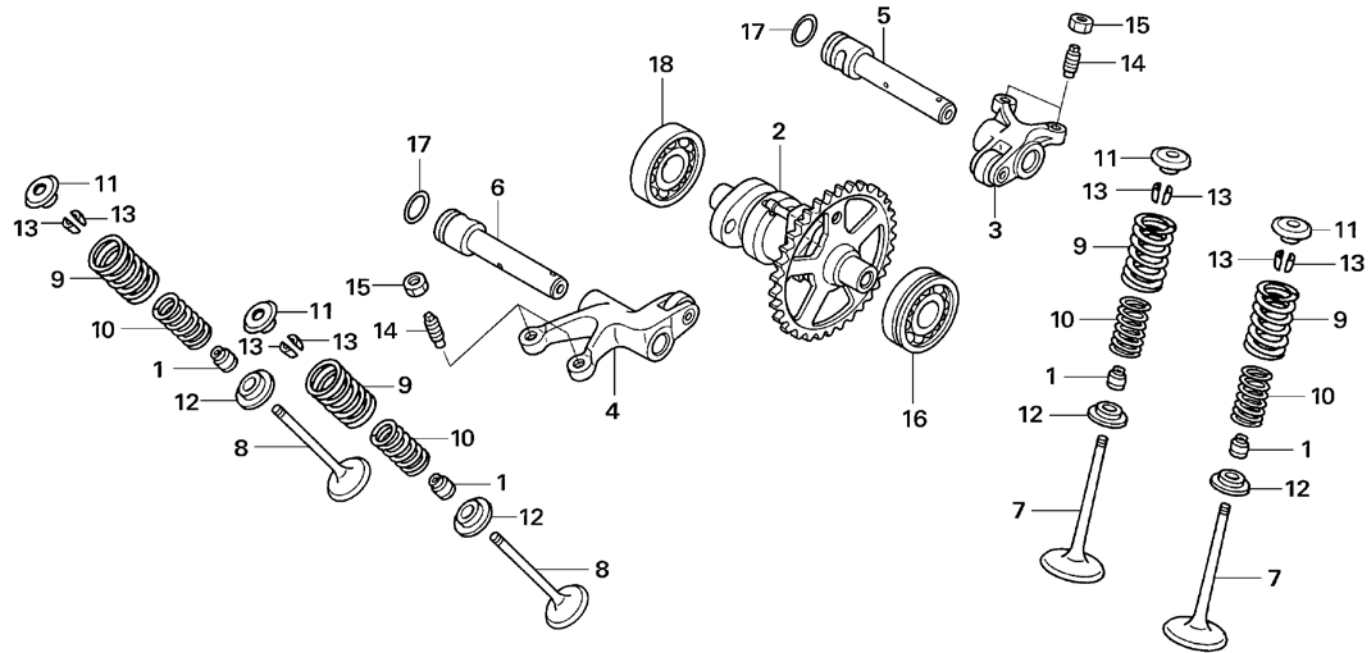
No.	Part Number	Description	Qty.	No.	Part Number	Description	Qty.
1	12010-NN4-000	HEAD SET, CYLINDER.....	1	17	90452-323-000	WASHER, 5MM.....	1
2	12203-KA5-690	JOINT, PIPE 13.....	1	18	90463-ML7-000	WASHER, SEALING, 6.5mm.....	2
3	12251-KRN-731	GASKET, CYLINDER HEAD	1	19	91303-436-003	O-RING, 43X2.5	2
4	12312-NN4-000	CAP, CYLINDER HEAD SIDE	1	20	94301-08140	DOWEL PIN, 8X14	2
5	12351-NN4-000	COVER, TAPPET ADJ HOLE.....	2	21	94301-12200	DOWEL PIN, 12X20	2
6	16211-NN4-000	INSULATOR, THROTTLE BODY	1	22	96001-06020-00	BOLT, FLANGE, 6X20.....	4
7	16215-NN4-000	BAND, INSULATOR.....	1	23	96001-06022-00	BOLT, FLANGE, 6X22.....	2
8	16216-MCZ-000	BAND, INSULATOR A	1	24	96001-06028-00	BOLT, FLANGE, 6X28.....	4
9	90089-KR0-000	BOLT SOCKET 5X12.....	1	25	96001-06035-00	BOLT, FLANGE, 6X35.....	2
10	90002-NN4-000	BOLT, SPECIAL 6X50.....	2	26	98059-56916-00	SPARK PLUG, CR6EH-9.....	1
11	90041-NN4-000	BOLT, STUD 2.7X17	2	27	16213-NN4-J10	INSOLATE PLATE (ED/2ED)	1
12	90232-MB6-680	NUT 9MM, CAP	2	28	62NN4NEMH	SHOP/OWNER'S MANUAL (ENGLISH)	1
13	90233-MM4-000	NUT FLANGE 9mm.....	2		65NN4NSMH	SHOP/OWNER'S MANUAL (ESPAÑOL)	1
14	90401-KRN-670	WASHER, PLAIN 9mm.....	4		64NN4NGMH	SHOP/OWNER'S MANUAL (DEUTSCH).....	1
15	90441-MR1-770	WASHER, SEALING	2		69NN4NIMH	SHOP/OWNER'S MANUAL (ITALIANO).....	1
16	90446-NN4-000	WASHER, CAM SHAFT THRUST	1		63NN4NFMH	SHOP/OWNER'S MANUAL (FRANÇAIS).....	1

Block N.º
E-1
 Cylinder head



No.	Part Number	Description	Qty.	No.	Part Number	Description	Qty.
	C2NN4NCMH	SHOP/OWNER'S MANUAL (ENGLISH)(CANADIAN)	1				
	C3NN4NCMH	SHOP/OWNER'S MANUAL (FRANÇAIS)(CANADIAN).....	1				
	U2NN4NUMH	SHOP/OWNER'S MANUAL (ENGLISH)(USA)	1				

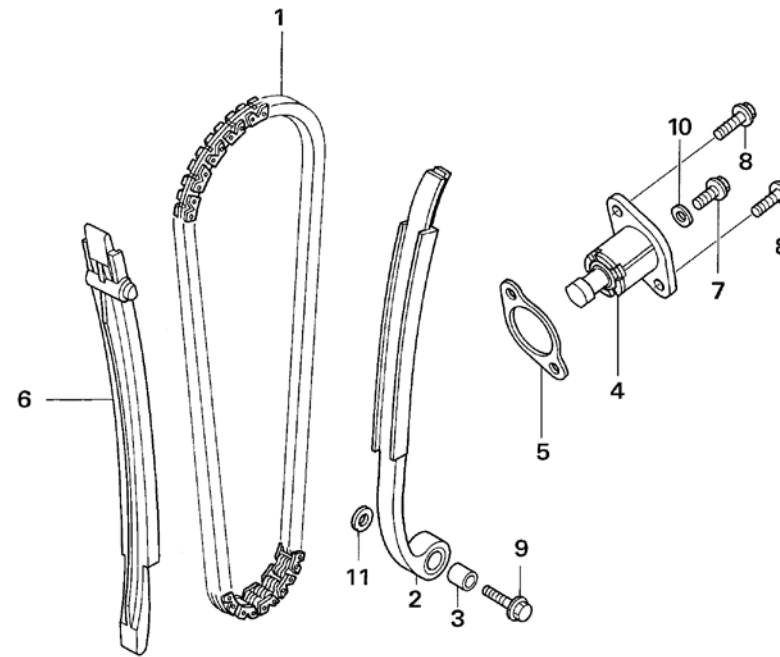
Block N.º
E-2
 Camshaft
 Valve



FR. ←

No.	Part Number	Description	Qty.	No.	Part Number	Description	Qty.
1	12209-ML0-722	SEAL VALVE STEM	4	17	91370-461-000	O-RING, 11.9X2.2	2
2	14100-NN4-D00	SHAFT COMP., CAM.....	1	18	96100-62013-00	BEARING, BALL RADIAL 6201	1
3	14430-NN4-000	ARM COMP, IN. ROCKER.....	1				
4	14440-NN4-000	ARM COMP, EXH. ROCKER	1				
5	14450-NN4-000	SHAFT COMP, IN. ROCKER ARM	1				
6	14460-NN4-000	SHAFT COMP, EX. ROCKER ARM.....	1				
7	14711-NN4-000	VALVE, INLET	2				
8	14721-NN4-000	VALVE, EXHAUST	2				
9	14751-NN4-000	SPRING, VALVE OUTER	4				
10	14752-NN4-000	SPRING, VALVE INNER.....	4				
11	14771-KW3-900	RETAINER VALVE SPRING.	4				
12	14776-NN4-000	SEAT, VALVE SPRING	4				
13	14781-ML0-720	COTTER, VALVE.....	8				
14	90012-KK3-830	SCR., TAPPET ADJG	4				
15	90206-250-000	NUT, TAPPET ADJG	4				
16	91007-NN4-003	BEARING, BALL RADIAL 6201 SPL	1				

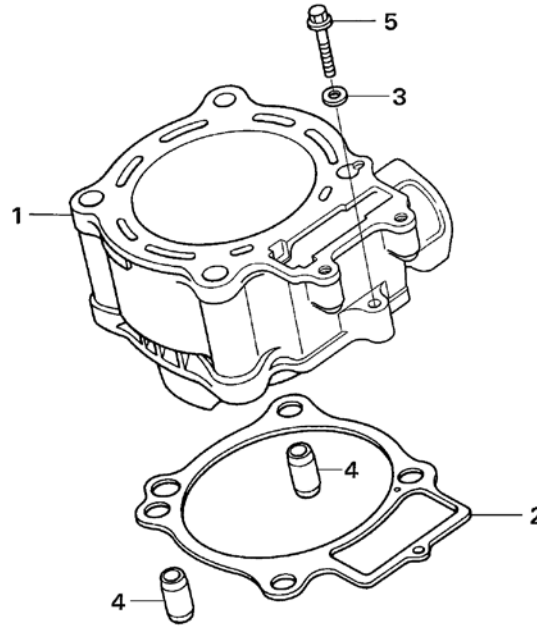
Block N.º
E-3
 Camchain
 Tensioner



FR.

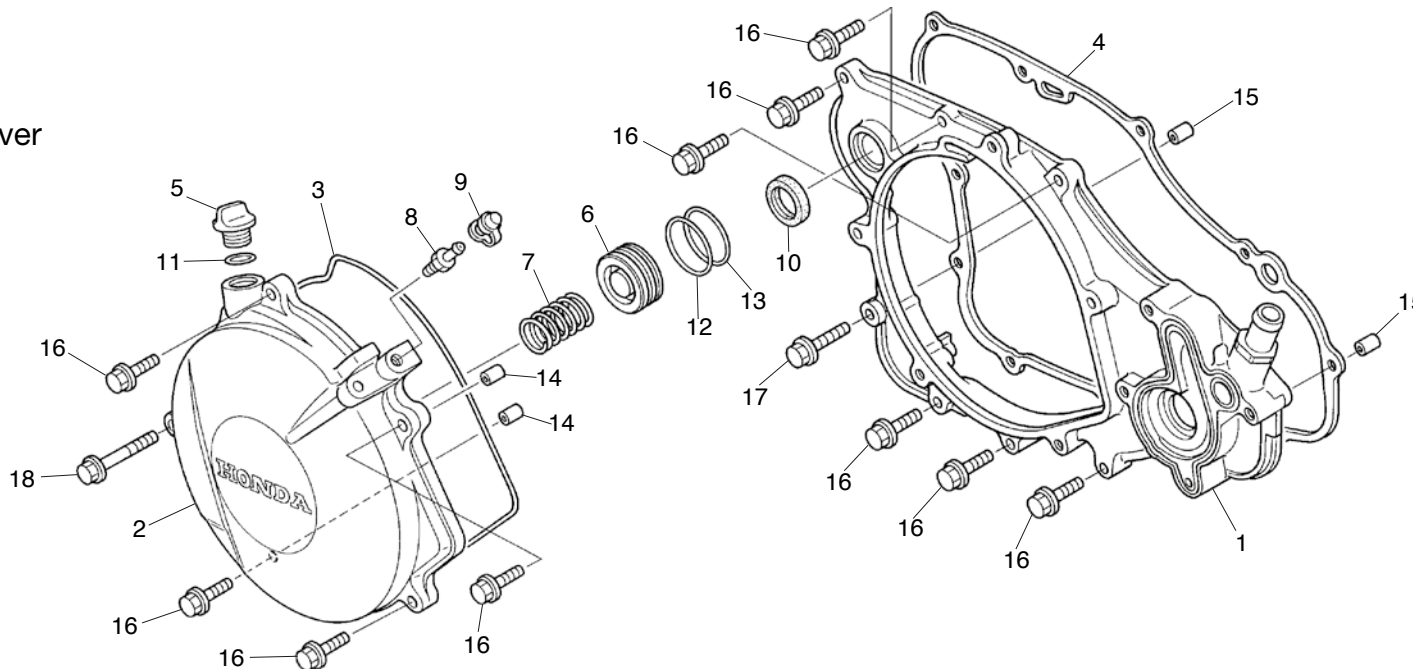
No.	Part Number	Description	Qty.	No.	Part Number	Description	Qty.
1	14401-NN4-003	CHAIN, CAM	1				
2	14510-NN4-000	TENSIONER COMP., CAM CHAIN	1				
3	14515-KF0-000	TENSIONER COLLAR	1				
4	14520-KRN-671	LIFTER ASSY., TENSIONER	1				
5	14560-MEN-671	GASKET, TENSIONER LIFTER	1				
6	14620-NN4-000	GUIDE, CAM CHAIN	1				
7	90004-GHB-600	BOLT, FLANGE, NSHF, 6X10	1				
8	90004-GHB-630	BOLT, FLANGE, NSHF, 6X16	2				
9	90088-MEB-670	BOLT, FLANGE 6X25	1				
10	90442-397-000	WASHER, SEALING 6mm	1				
11	90482-567-000	WASHER, SPECIAL 6mm	1				

Block N.º
E-4
 Cylinder



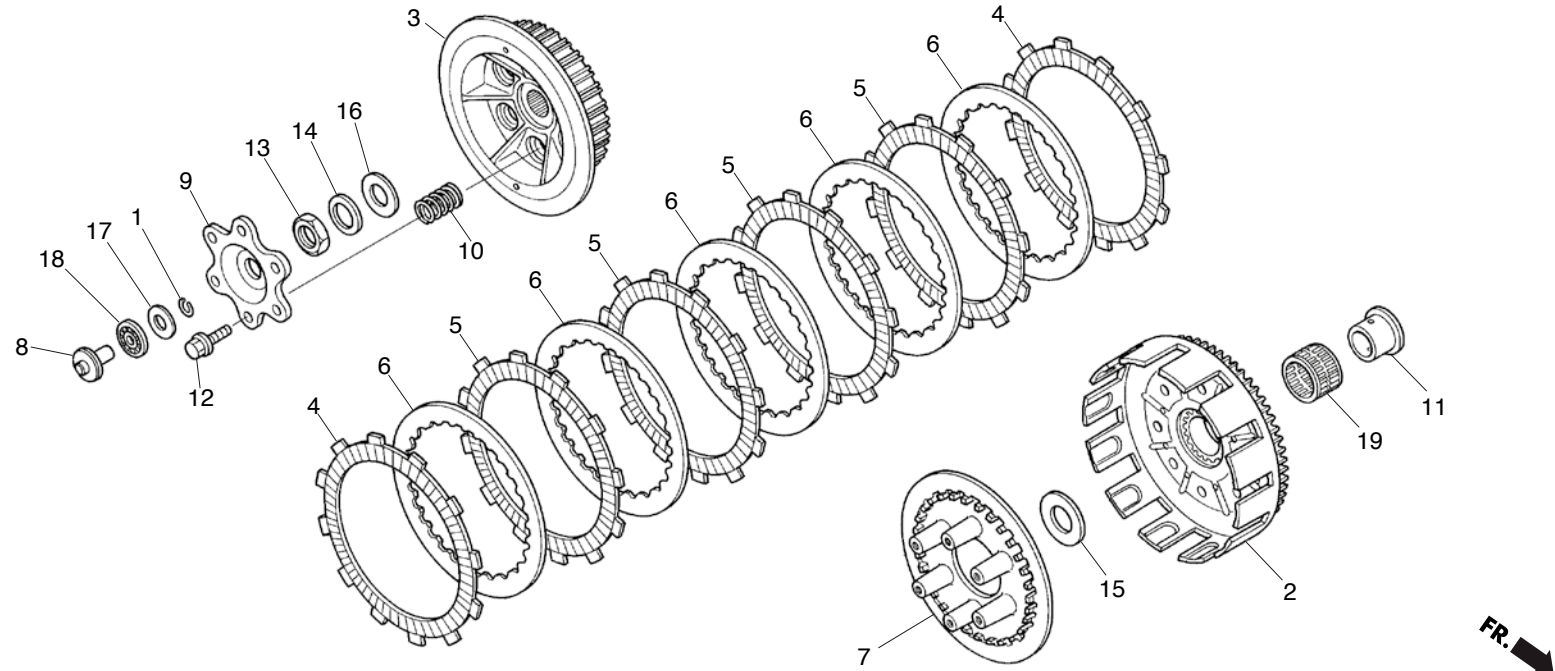
No.	Part Number	Description	Qty.	No.	Part Number	Description	Qty.
1	12100-NN4-D00	CYLINDER.....	1				
2	12191-NN4-003	GASKET, CYLINDER.....	1				
3	90463-ML7-000	WASHER, SEALING, 6.5mm.....	1				
4	94301-12200	PIN, DOWEL, 12X20	2				
5	96001-06028-00	BOLT, FLANGE, 6X28.....	1				

Block N.º
E-5
 RH. Crankcase cover



No.	Part Number	Description	Qty.	No.	Part Number	Description	Qty.
1	11330-NN4-000	COVER COMP., RH. CRANK CASE.....	1	17	96001-06035-00	BOLT, FLANGE, 6X35.....	1
2	11350-NN4-000	COVER COMP., CLUTCH	1	18	96001-06055-00	BOLT, FLANGE, 6X55.....	1
3	11352-NN4-003	GASKET, CLUTCH COVER.....	1				
4	11394-NN4-000	GASKET, RH. COVER	1				
5	15611-KA3-710	CAP, OIL FILLER	1				
6	22863-NN3-000	PISTON COMP., SLAVE CYLN.....	1				
7	22864-NN3-000	SPRING, SLAVE CYLN	1				
8	43352-568-003	SCREW, BLEEDER.....	1				
9	43353-461-771	CAP, BLEEDER.....	1				
10	91205-KA3-712	OIL SEAL, 16.5X25X5	1				
11	91305-PH7-003	O-RING, 11.9X2.4	1				
12	91312-371-013	O-RING, 23X2.1	1				
13	91312-NN3-003	O-RING, 21.8X2.4	1				
14	91320-KE1-000	PIN, DOWEL SPC. 8X7	2				
15	94301-08140	DOWEL PIN, 8X14	2				
16	96001-06028-00	BOLT, FLANGE, 6X28.....	10				

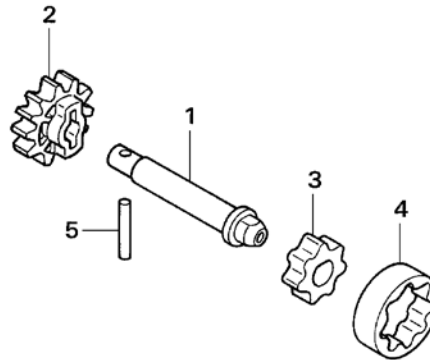
Block N.º
E-6
Clutch



FR. →

No.	Part Number	Description	Qty.	No.	Part Number	Description	Qty.
1	13115-147-000	CLIP, PISTON PIN 10mm.....	1	17	90608-072-000	WASHER 12mm.....	1
2	22100-NN4-000	OUTER COMP., CLUTCH.....	1	18	91001-147-003	BEARING., NEEDLE 12mm.....	1
3	22121-NN4-000	CENTER, CLUTCH.....	1	19	91011-KS6-003	BEARING., NEEDLE 25X29X22	1
4	22201-KY2-000	DISK, CLUTCH FRICTION	2				
5	22201-NN4-B00	DISK, CLUTCH FRICTION (PAPER).....	4				
6	22321-MG3-000	PLATE, CLUTCH	5				
7	22351-NN4-000	PLATE, CLUTCH PRESSURE	1				
8	22352-NN4-000	PIECE, CLUTCH LIFTER.....	1				
9	22361-NN4-000	PLATE, CLUTCH LIFTER	1				
10	22402-NN4-000	SPRING, CLUTCH	6				
11	28237-KZ4-A10	COLLAR, CLUTCH OUTER.....	1				
12	90004-GHB-660	BOLT, FLANGE, NSHF, 6X22.....	6				
13	90201-NN3-000	NUT, 18mm	1				
14	90432-KF0-000	WASHER LOCK	1				
15	90456-KS6-000	WASHER, THRUST, 20mm	1				
16	90501-ML3-910	WASHER, 18X32X2.....	1				

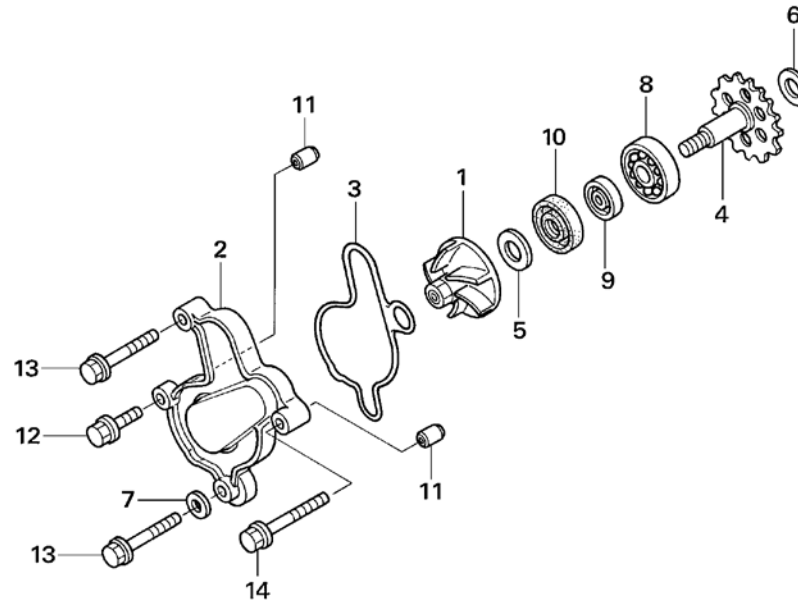
Block N.º
E-7
 Oil pump



FR.

No.	Part Number	Description	Qty.	No.	Part Number	Description	Qty.
1	15111-NN4-000	SHAFT, OIL PUMP	1				
2	15133-NN4-000	GEAR, OIL PUMP DRIVEN.....	1				
3	15331-324-000	ROTOR INNER OIL PUMP	1				
4	15332-324-000	ROTOR OUTER OIL PUMP.....	1				
5	96220-30178	ROLLER, 3X17.8	1				

Block N.º
E-8
 Water pump



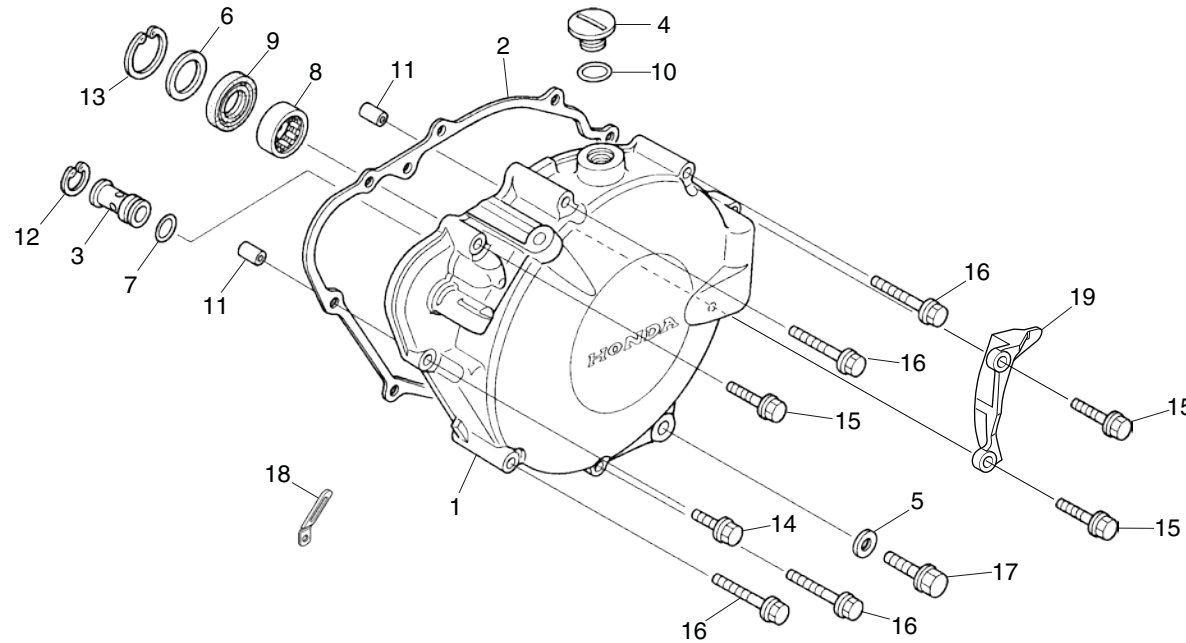
FR. →

No.	Part Number	Description	Qty.	No.	Part Number	Description	Qty.
1	19215-GC4-731	IMPELLER, WATER PUMP.....	1				
2	19221-NN4-000	COVER, WATER PUMP.....	1				
3	19229-NN4-000	GASKET, W/P COVER.....	1				
4	19240-NN4-010	GEAR COMP., WATER PUMP.....	1				
5	90447-KE1-000	WASHER, SEALING, 7mm.....	1				
6	90456-333-000	WASHER, THRUST 11mm.....	1				
7	90463-ML7-000	WASHER, SEALING, 6.5mm.....	1				
8	91001-KA4-003	BEARING., BALL, 12X28X7.....	1				
9	91201-148-003	OIL SEAL, 12X22X5.....	1				
10	91211-KA3-761	SEAL, WATER PUMP.....	1				
11	91320-KE1-000	PIN, DOWEL SPC. 8X7.....	2				
12	96001-06025-00	BOLT, FLANGE, 6X25.....	1				
13	96001-06050-00	BOLT, FLANGE, 6X50.....	2				
14	96001-06060-00	BOLT, FLANGE, 6X60.....	1				

Block N.º

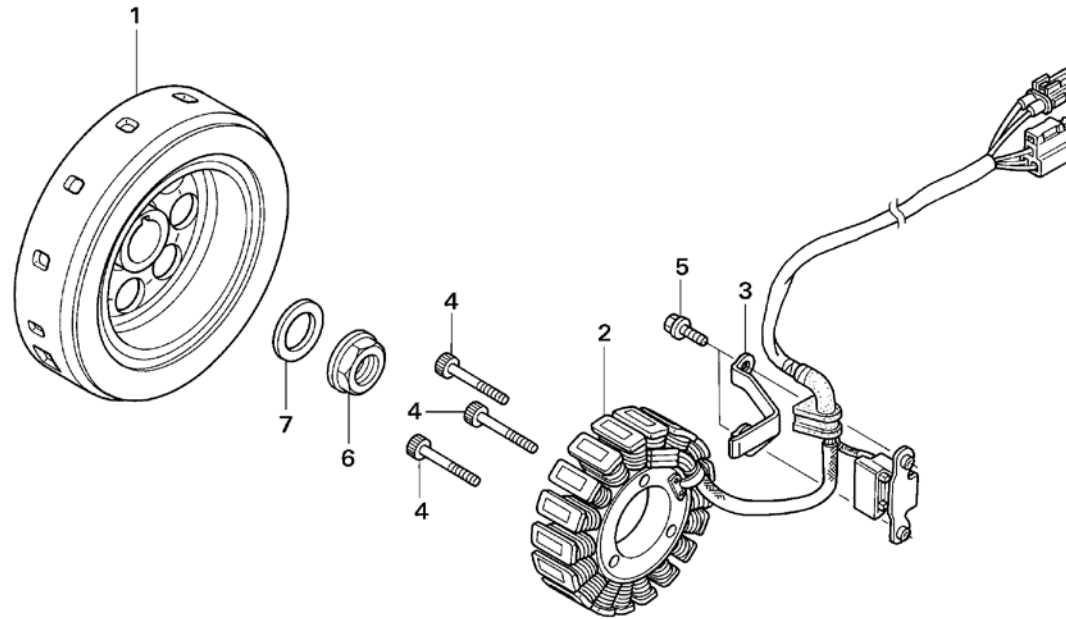
E-9

LH. Crankcase cover



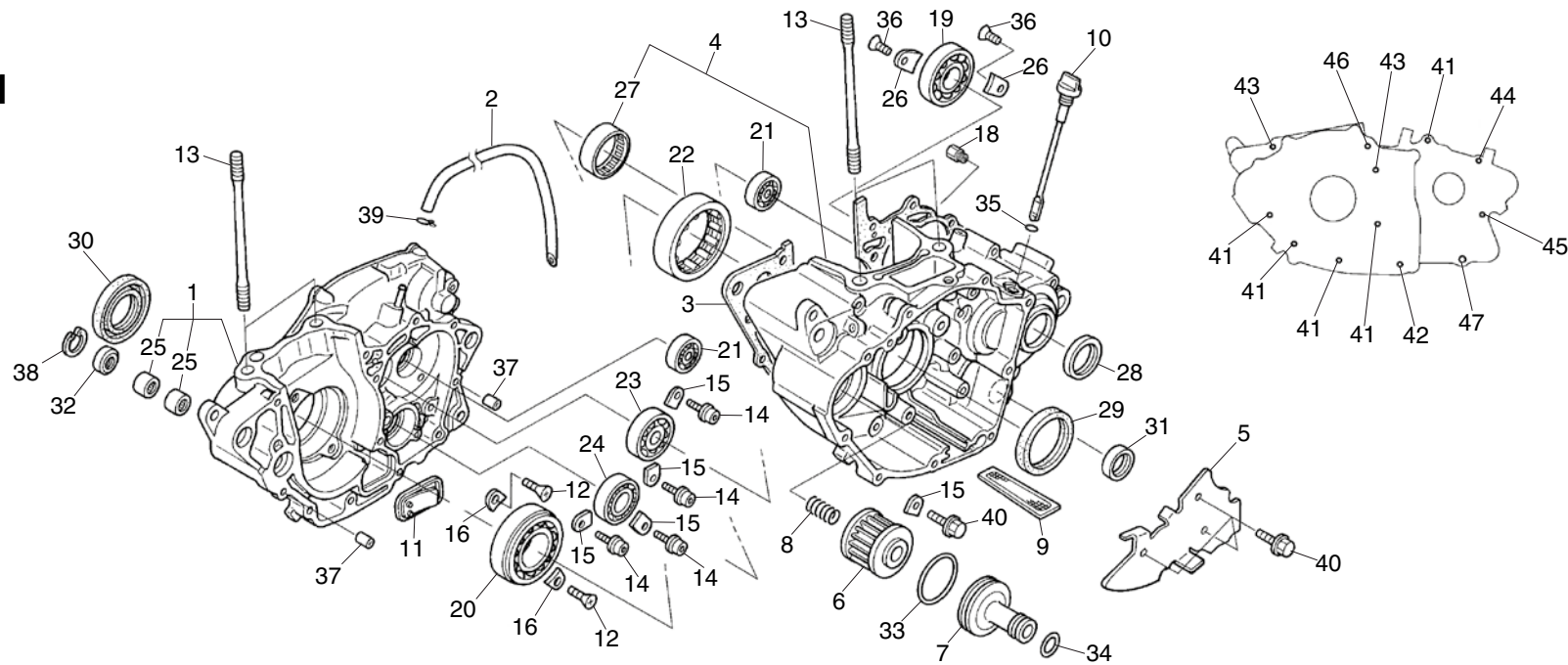
No.	Part Number	Description	Qty.	No.	Part Number	Description	Qty.
1	11340-NN4-010	COVER COMP, LH. CRANK CASE	1	17	96300-08035-00	BOLT, FLANGE, DR, 8X35.....	1
2	11395-NN4-000	GASKET, LH. COVER.....	1	18	91410-KT7-000	CLIP, 4X60.....	1
3	15220-MEB-770	VALVE ASSY., RELIEF	1	19	23811-NN4-N10	PROTECTOR SPKT, DRIVEN.....	1
4	90084-428-000	CAP, ACG.....	1				
5	90441-ME9-000	WASHER, SEALING 8mm.....	1				
6	90454-GF9-000	WASHER, 20.2mm.....	1				
7	90751-GK1-003	O-RING 8.5X1.7	1				
8	91008-NN4-003	BEARING, NEEDLE 15X25X12	1				
9	91202-NN4-003	OIL SEAL, 15X26X5	1				
10	91303-377-000	O-RING, 13.8X2.5	1				
11	94301-08100	PIN, DOWEL 8X10	2				
12	94520-14000	CIRCLIP, IN, 14	1				
13	94520-28000	CIRCLIP, IN, 28	1				
14	96001-06028-00	BOLT, FLANGE, 6X28.....	1				
15	96001-06035-00	BOLT, FLANGE, 6X35.....	3				
16	96001-06050-00	BOLT, FLANGE, 6X50.....	4				

Block N.º
E-10
 Generator



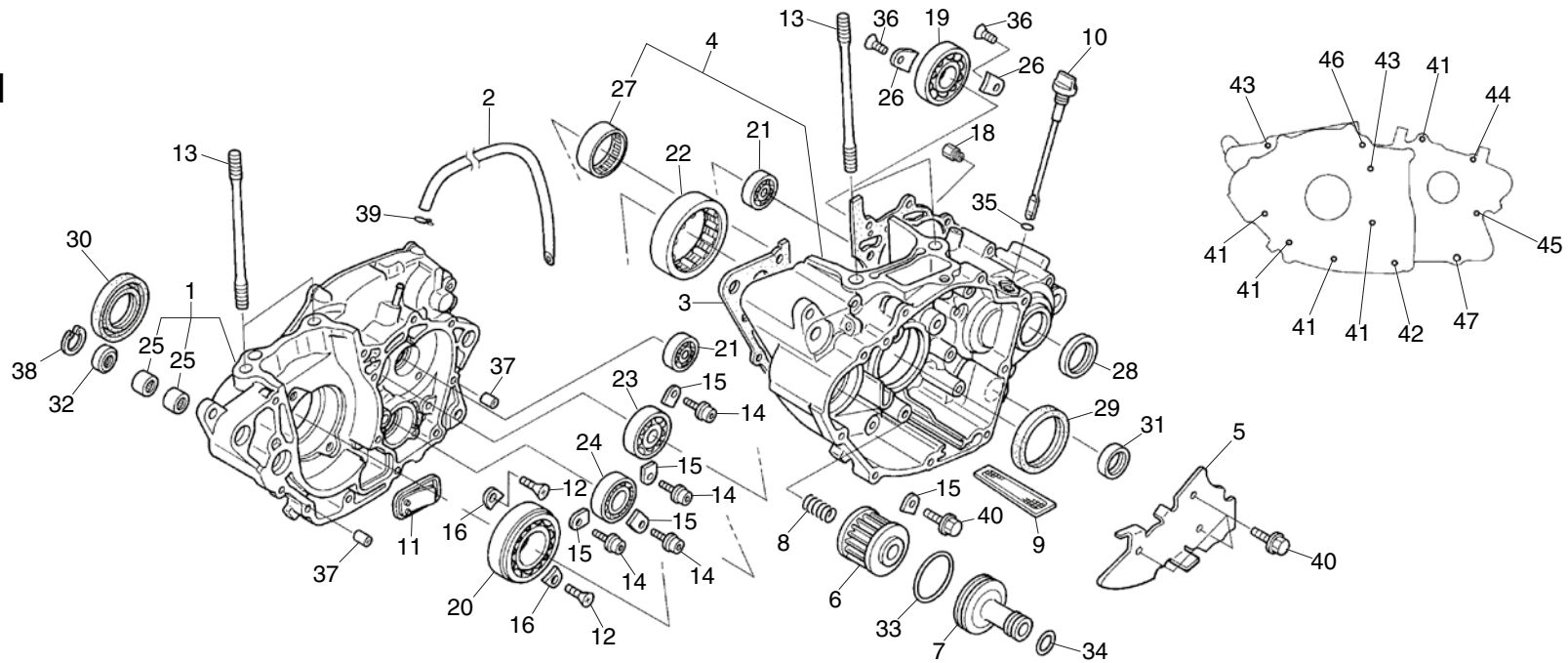
No.	Part Number	Description	Qty.	No.	Part Number	Description	Qty.
1	31110-NN4-003	FLYWHEEL COMP.....	1				
2	31120-NN4-B01	STATOR COMP.....	1				
3	31121-NN4-000	CLAMPER, ACG CORD	1				
4	90001-NN4-000	BOLT, SOCKET 5X28	3				
5	90005-896-000	BOLT, FLANGE 5X16.....	2				
6	90201-NN4-000	NUT, FLANGE 18mm	1				
7	90402-NN4-000	WASHER, 18mm.....	1				

Block N.º
E-11
Crankcase



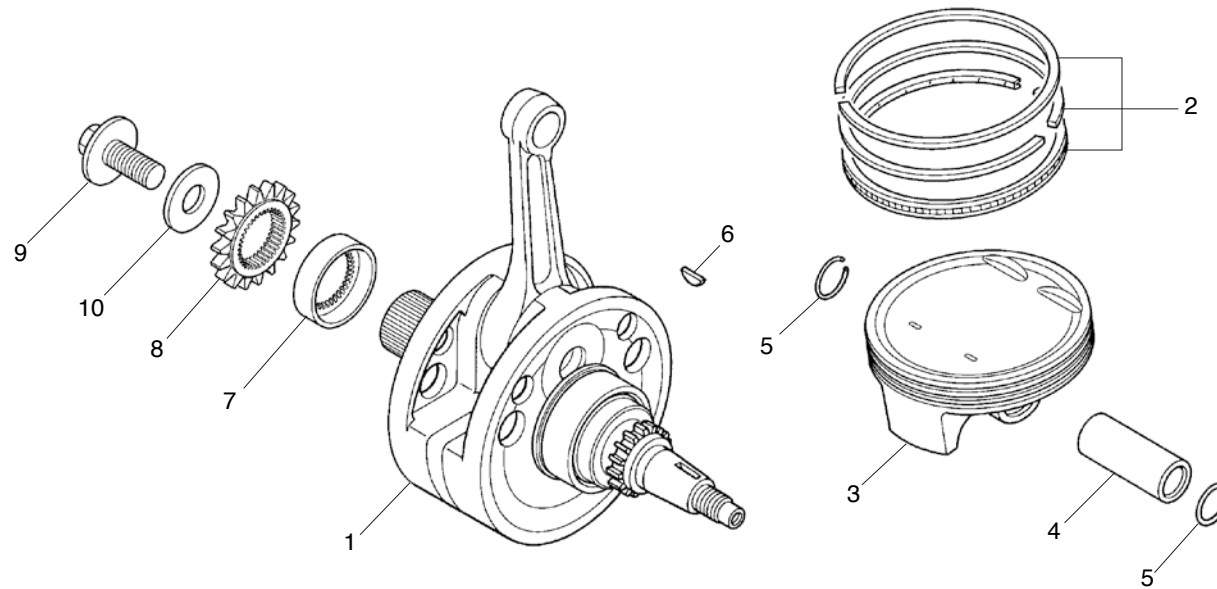
No.	Part Number	Description	Qty.	No.	Part Number	Description	Qty.
1	11100-NN4-B00	CRANKCASE COMP., RIGHT	1	17	90441-ME9-000	WASHER, SEALING 8mm	1
2	11105-NN4-000	TUBE, BREATHER	1	18	90901-NN4-D00	ORIFICE #190	1
3	11191-NN4-000	GASKET, CRANKCASE	1	19	91001-KA3-711	BEARING, BALL, 6204	1
4	11200-NN4-G00	CRANKCASE COMP., LEFT	1	20	91001-KRN-671	BEARING, BALL RADIAL 30X72X16	1
5	11206-NN4-000	PLATE, CAM CHAIN GUIDE	1	21	91001-KZ4-J11	BEARING, BALL RADIAL 17X35X10	2
6	15412-MEN-671	FILTER COMP., ENGINE OIL	1	22	91002-NN4-003	BEARING, ROLLER SPL	1
7	15412-NN4-000	COVER, OIL FILTER	1	23	91004-KRN-671	BEARING, BALL RADIAL 22X47X14	1
8	15414-MEB-670	SPRING, OIL FILTER	1	24	91004-KY4-900	BEARING, BALL RADIAL 6905U	1
9	15421-NN4-000	SCREEN, OIL FILTER	1	25	91006-HA0-003	BEARING, NEEDLE 9mm	2
10	15650-NN4-000	GAUGE, OIL LEVEL	1	26	91012-KA3-710	PLATE, C-SHAFT BEARING	2
11	18601-MBW-003	REED VALVE COMP.	1	27	91022-KA4-740	BEARING, SHELL 33X38X8	1
12	90003-KRN-670	SCREW, FLAT SPL 6X12	2	28	91201-KS6-004	OIL SEAL, 26X37X7	1
13	90031-NN4-000	BOLT, STUD 10X110	4	29	91201-MEB-671	OIL SEAL, 35X52X7	1
14	90071-MF5-000	BOLT, SOCKET FLANGE 6X14	4	30	91202-MEB-671	OIL SEAL, 39X56X7	1
15	90441-KA4-700	PLATE, BEARING HOLD	5	31	91203-KA4-771	OIL SEAL, 14X22X5	1
16	90441-KRN-670	PLATE, BEARING HOLD	2	32	91204-HB3-004	OIL SEAL, 9X18X5	1

Block N.º
E-11
Crankcase



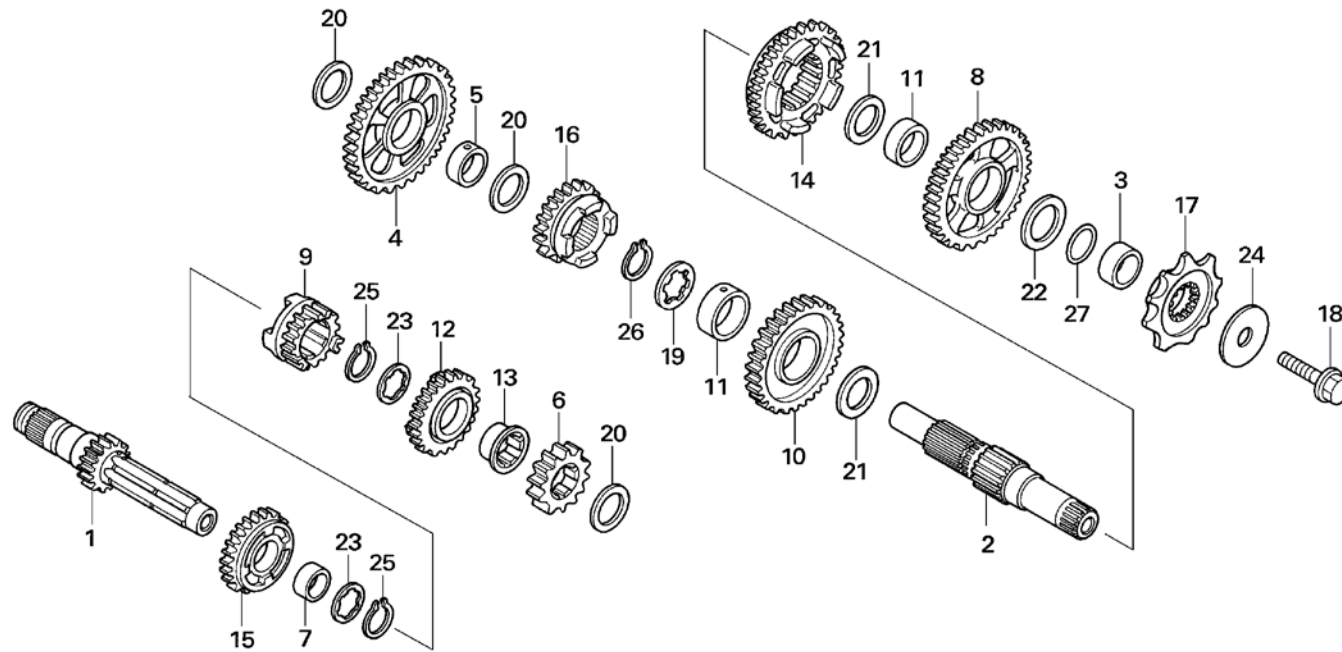
No.	Part Number	Description	Qty.	No.	Part Number	Description	Qty.
33	91302-PA9-003	O-RING, 39.8X2.2	1				
34	91303-HA0-003	O-RING, 11X1.9	1				
35	91316-MJ8-003	O-RING, 8.4X2.4	1				
36	93600-06010-0H	SCREW, FLAT 6X10	2				
37	94301-08140	DOWEL PIN, 8X14	2				
38	94520-19000	CIRCLIP, IN, 19	1				
39	95002-02100	CLIP B10, TUBE.....	1				
40	96001-06014-00	BOLT, FLANGE, 6X14.....	4				
41	96001-06045-00	BOLT, FLANGE, 6X45.....	5				
42	96001-06055-00	BOLT, FLANGE, 6X55.....	1				
43	96001-06070-00	BOLT, FLANGE, 6X70.....	2				
44	96001-06075-00	BOLT, FLANGE, 6X75.....	1				
45	96001-06080-00	BOLT, FLANGE, 6X80.....	1				
46	96001-06085-00	BOLT, FLANGE, 6X85.....	1				
47	96300-08070-00	BOLT, FLANGE, DR, 8X70.....	1				

Block N.º
E-12
 Crankshaft
 Piston



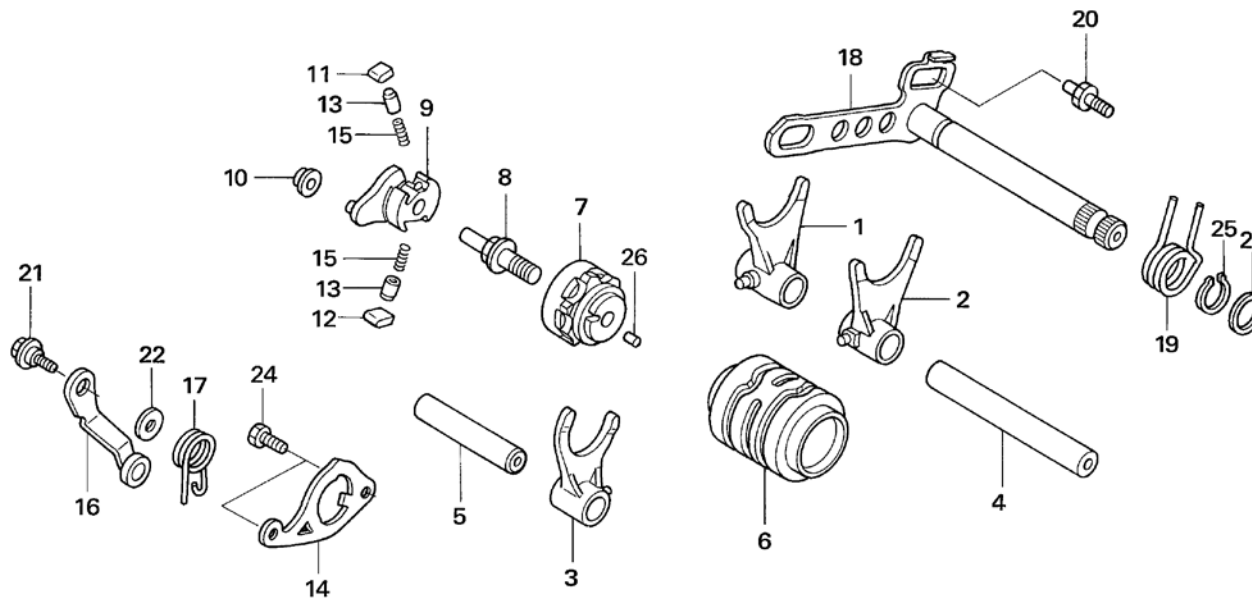
No.	Part Number	Description	Qty.	No.	Part Number	Description	Qty.
1	13000-NN4-D00	CRANK SHAFT COMP.	1				
2	13011-NN4-D00	RING SET, PISTON	1				
3	13101-NN4-D00	PISTON	1				
4	13111-KRN-850	PIN, PISTON	1				
5	13115-KM7-700	CLIP, PISTON PIN 16mm	2				
6	13331-357-000	KEY SPECIAL WOODRUFF, 25X18	1				
7	13617-NN4-000	COLLAR, DRIVE GEAR	1				
8	23121-NN4-000	GEAR, PRIMARY DRIVE	1				
9	90013-NN4-000	BOLT, SPECIAL 12X27	1				
10	90402-KY4-900	WASHER, PLAIN, 12mm	1				

Block N.º
E-13
Transmission



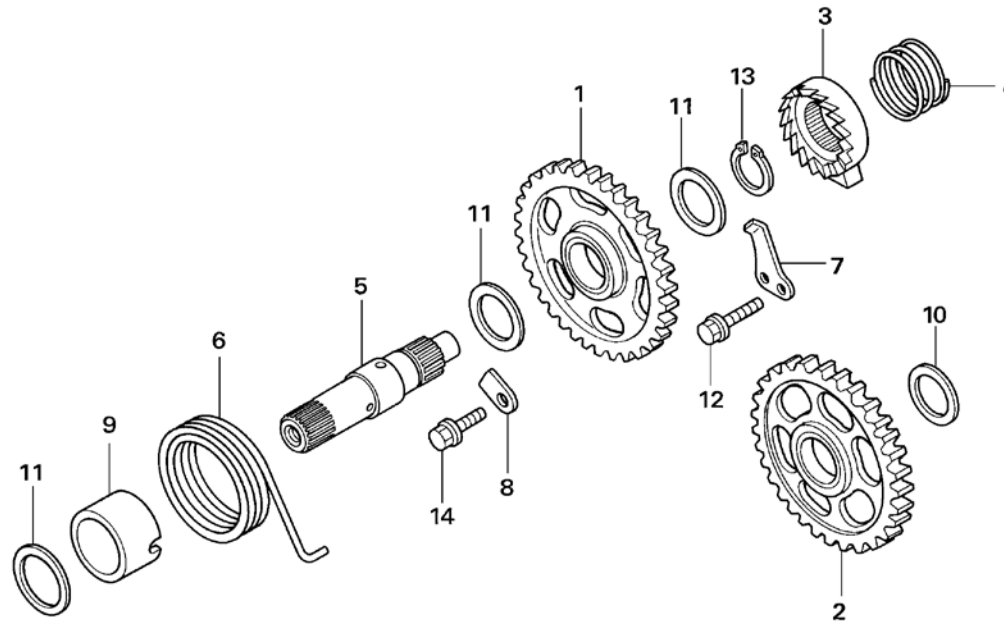
No.	Part Number	Description	Qty.	No.	Part Number	Description	Qty.
1	23211-NN4-000	SHAFT, MAIN	1	17	23801-NN4-000	SPROCKET, DRIVE 10T	1
2	23221-NN4-000	SHAFT, COUNTER	1	18	90112-413-000	BOLT, UBS 8X33	1
3	23225-KS6-000	COLLAR, C-SHAFT	1	19	90404-KW3-000	WASHER, THRUST, INV 22X21X1	1
4	23411-NN4-000	GEAR, C-LOW	1	20	90446-357-000	WASHER, THRUST 17.2mm.....	3
5	23413-NN4-000	COLLAR, 17mm.....	1	21	90452-KZ4-000	WASHER, THRUST 20X30X1.....	2
6	23421-NN4-000	GEAR, M-2ND.....	1	22	90453-KZ4-000	WASHER, THRUST 20X30X1.5.....	1
7	23422-GB4-770	BUSH, 20X9	1	23	90461-444-000	WASHER, SPLINE 20.....	2
8	23431-NN4-000	GEAR, C-2ND	1	24	90501-NN4-003	WASHER, SPRING 8X33	1
9	23441-NN4-000	GEAR, M-3RD	1	25	90601-360-000	SET RING 20mm.....	2
10	23451-NN4-000	GEAR, C-3RD.....	1	26	90602-360-000	SET RING 22mm.....	1
11	23452-NN4-000	COLLAR, C-3RD GEAR	2	27	91351-KA3-711	O-RING, 20mm	1
12	23461-NN4-000	GEAR, M-4TH	1				
13	23462-NN4-000	COLLAR, M-4TH GEAR	1				
14	23471-NN4-000	GEAR, C-4TH.....	1				
15	23481-NN4-000	GEAR, M-5TH	1				
16	23491-NN4-000	GEAR, C-5TH.....	1				

Block N.º
E-14
 Gearshift drum



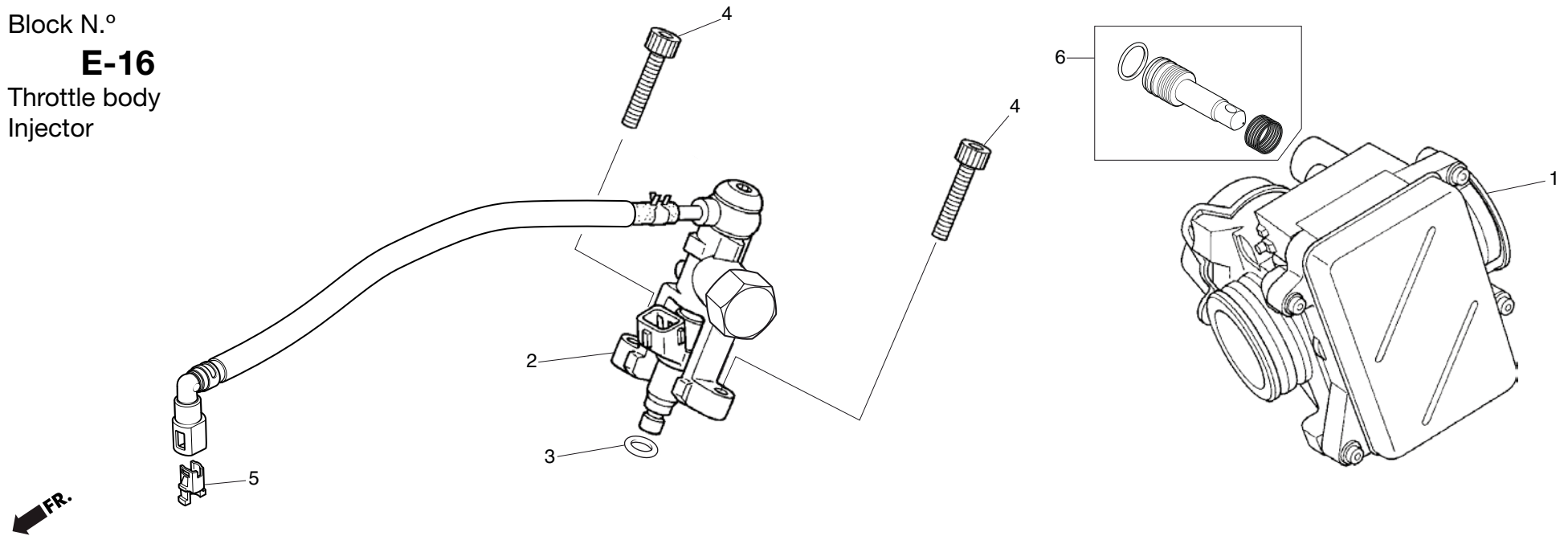
No.	Part Number	Description	Qty.	No.	Part Number	Description	Qty.
1	24211-KRN-730	FORK RH., GEAR SHIFT	1	17	24435-KA3-710	SPRING, DRUM STPR	1
2	24221-KRN-730	FORK LH., GEAR SHIFT	1	18	24610-NN4-000	SPDL COMP., GEAR SHIFT	1
3	24231-NN4-000	FORK C, GEAR SHIFT	1	19	24651-MEB-670	SPRING, SHIFT RETURN	1
4	24241-MEN-670	SHAFT A, SHIFT FORK	1	20	24652-HA0-000	PIN, GEAR SHIFT RETURN SPRING	1
5	24242-MEN-670	SHAFT B, SHIFT FORK	1	21	90022-MG8-000	PIVOT, SHIFT DRUM STOPPER ARM	1
6	24311-NN4-000	DRUM, GEAR SHIFT	1	22	90435-HB3-000	WASHER, 6.1mm	1
7	24312-KA3-741	CENTER, SHIFT DRUM	1	23	90451-155-000	WASHER, 14mm	1
8	24315-HA0-000	PIN. SHIFTER	1	24	93301-06016-0A	BOLT, HEX., 6x16mm	2
9	24321-KZ4-620	SHIFTER, DRUM	1	25	94510-14000	CIRCLIP, EX, 14	1
10	24322-MM4-000	COLLAR, DRUM SHIFTER	1	26	96220-40080	ROLLER, 4X8	1
11	24324-KA3-711	PAWL A, RATCHET	1				
12	24325-KA3-711	PAWL B, RATCHET	1				
13	24326-KBH-901	PLUNGER, PAWL	2				
14	24328-NN4-000	PLATE, GUIDE	1				
15	24329-KA3-740	SPRING, PAWL PLUNGER	2				
16	24430-NN4-000	STPR COMP, DRUM	1				

Block N.º
E-15
 Kick starter spindle



No.	Part Number	Description	Qty.	No.	Part Number	Description	Qty.
1	28210-NN4-000	PINION COMP., KICK STARTER	1				
2	28230-NN4-000	GEAR COMP., STARTER IDLE	1				
3	28241-KA3-710	RATCHET, STARTER	1				
4	28242-KA3-710	SPRING, RATCHET	1				
5	28251-NN4-000	SPINDLE, KICK START	1				
6	28261-KA3-710	SPRING, START RETURN.....	1				
7	28262-NN4-010	PLATE, RATCHET SLIDER	1				
8	28263-NN4-000	PLATE, KICK SPRING	1				
9	28282-NN4-000	COLLAR, KICK SPRING	1				
10	90452-178-000	WASHER, THRUST 17mm.....	1				
11	90501-444-000	WASHER, 16.8X24.....	3				
12	90085-MCS-000	BOLT, TORX., 6 MM	1				
13	94510-16000	CIRCLIP, EX, 16.....	1				
14	96001-06014-00	BOLT, FLANGE, 6X14.....	1				

Block N.º
E-16
 Throttle body
 Injector

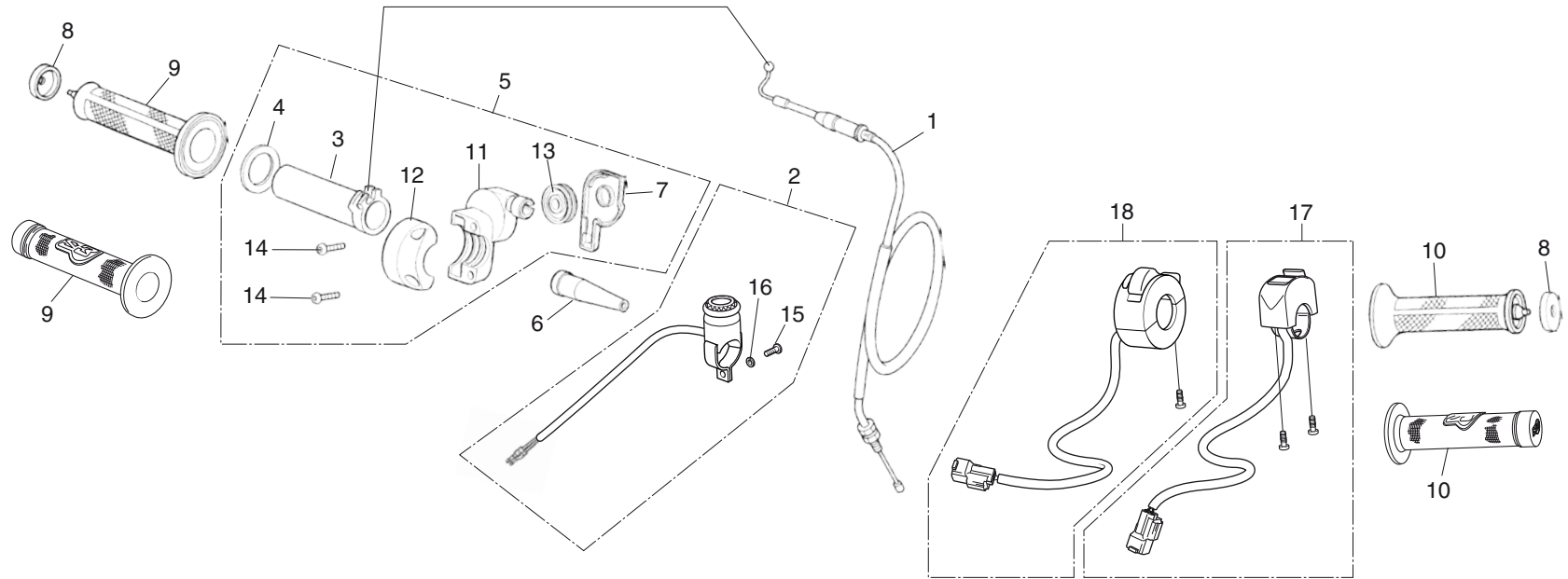


No.	Part Number	Description	Qty.	No.	Part Number	Description	Qty.
1	16400-NN4-M11	THROTTLE BODY ASSY (ED/2ED)	1				
	16400-NN4-L31	THROTTLE BODY ASSY (3ED/4ED)	1				
2	16420-NN4-L10	HOLDER INJECTOR ASSY.	1				
3	91302-PNA-003	O-RING, 7.8X1.9	1				
4	96700-06022-00	SOCKET BOLT 6X22.....	2				
5	17711-S0X-931	RETAINER	1				
6	16016-NN4-003	SCREW SET.....	1				

Block N.º

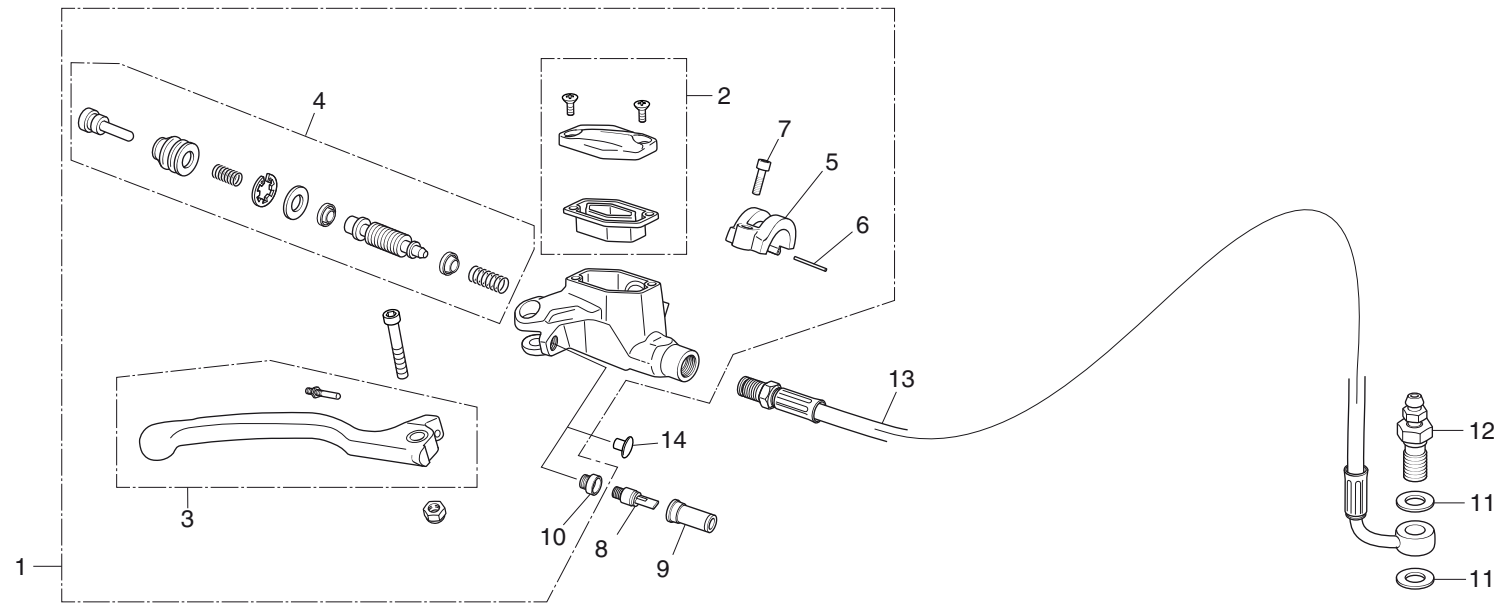
F-1

Cable
Switch



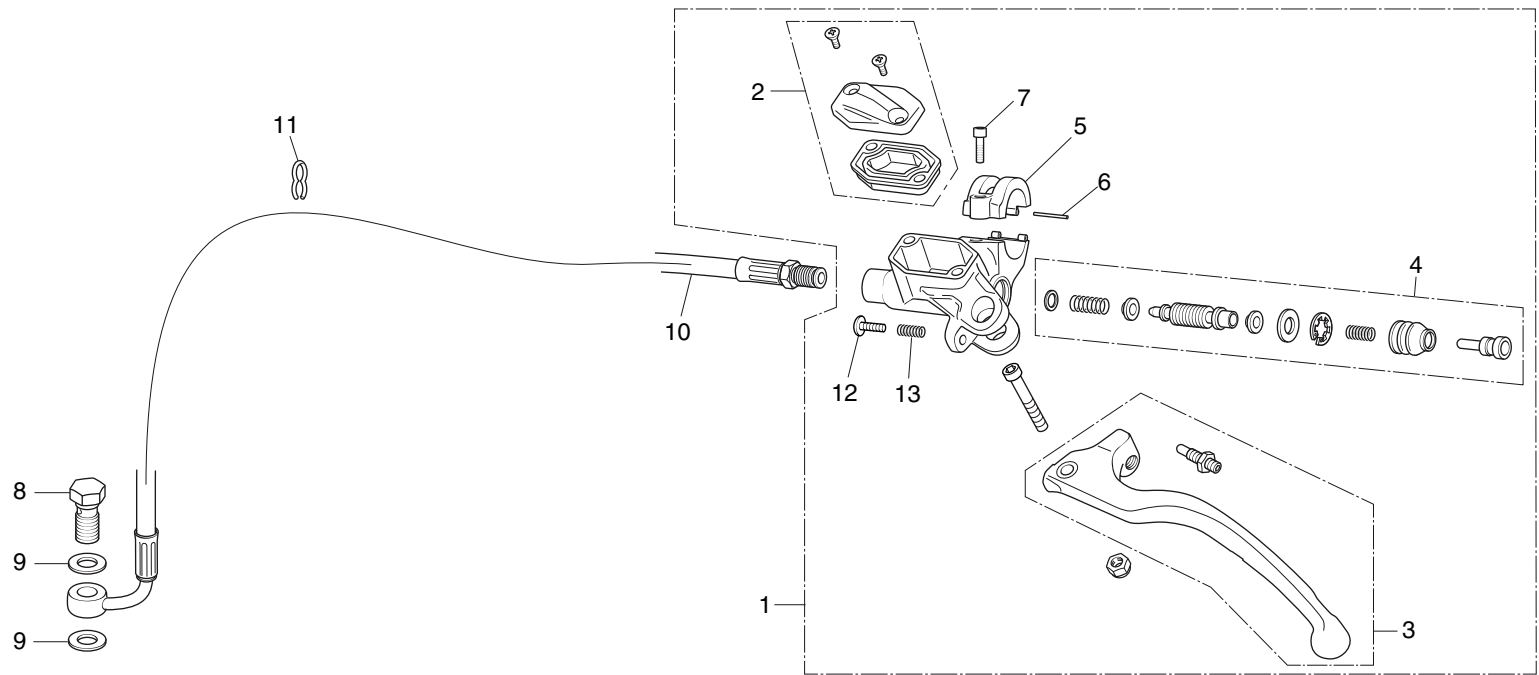
No.	Part Number	Description	Qty.	No.	Part Number	Description	Qty.
1	17910-NN4-B01	CABLE COMP., THROT.....	1	15	93500-04012-1A	SCREW, PAN 4X12	1
2	35130-NN4-M10	SW ASSY., KILL	1	16	94111-04000	WASHER, SPRING 4mm.....	1
3	53141-NN4-000	PIPE, THROT GRIP	1	17	35400-NN4-D00	ENGINE MAP SWITCH (3ED/4ED).....	1
4	53142-NN3-000	RING, LEAF	1	18	35150-NN4-L10	SWITCH ASSY., LIGHT (ED/2ED).....	1
5	53160-NN4-000	SUB ASSY., THROTTLE.....	1				
6	53161-NN3-000	COVER, THROT CABLE.....	1				
7	53163-NN2-900	COVER, THROT HOUSING.....	1				
8	53164-KR8-000	COVER, GRIP END (2ED/4ED).....	2				
9	53165-NN4-J10	GRIP R, HANDLE (ED/3ED).....	1				
	53165-KR8-000	GRIP R, HANDLE (2ED/4ED).....	1				
10	53166-NN4-J10	GRIP L, HANDLE (ED/3ED)	1				
	53166-KR8-000	GRIP L, HANDLE (2ED/4ED).....	1				
11	53167-NN2-900	HOUSING UP, THROT	1				
12	53168-NN2-900	HOUSING LWR, THROT	1				
13	53169-NN2-900	PULLEY, THROT	1				
14	90107-NN3-000	SOCKET BOLT, 5X16	2				

Block N.º
F-2
 Front brake master cylinder



No.	Part Number	Description	Qty.	No.	Part Number	Description	Qty.
1	45500-NN4-N10	M/C ASSY., FR	1				
2	45540-NN4-J10	TANK CAP	1				
3	53170-NN4-K20	LEVER ASSY., RH	1				
4	45530-NN4-J10	PISTON SET	1				
5	22882-NN4-L60	BRAKE LEVER HOLDER.....	1				
6	90089-NN4-L60	PIN HOLDER.....	1				
7	90088-NN4-J10	BOLT, SOCKET 5X16	1				
8	35350-NN4-600	SWITCH ASSY. FRONT CALIPER (ED/2ED)	1				
9	35351-NN4-600	RUBBER COVER (ED/2ED).....	1				
10	35343-NN4-N10	SOCKET FR BRK SW (ED/2ED).....	1				
11	90548-NN4-J10	WASHER, OIL BOLT	2				
12	90005-NN4-J10	BLEEDER BOLT M8X100.....	1				
13	45125-NN4-J11	HOSE, FR BRAKE.....	1				
14	35344-NN4-N30	CAP HOLE, SWITCH (3ED / 4ED).....	1				

Block N.º
F-3
 Clutch master cylinder

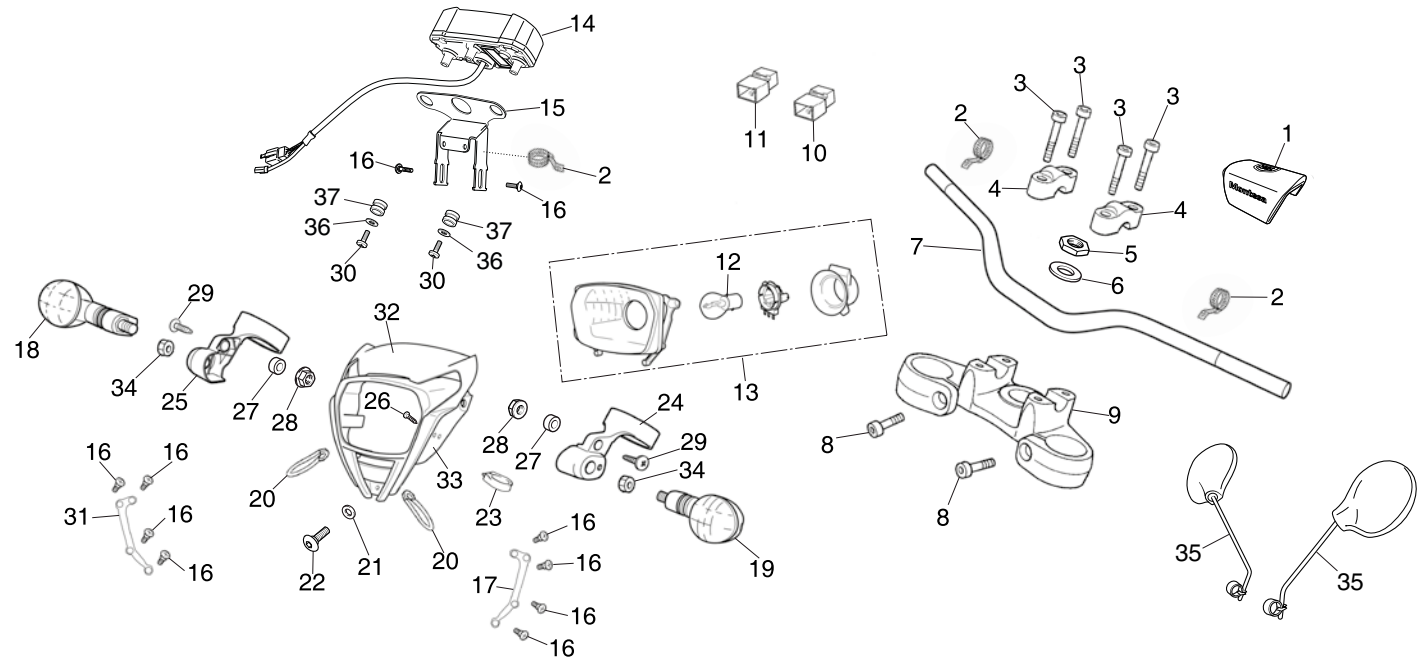


No.	Part Number	Description	Qty.	No.	Part Number	Description	Qty.
1	22880-NN4-N10	M/C ASSY., CLUTCH.....	1				
2	22883-NN4-J10	TANK CAP.....	1				
3	53180-NN4-J10	LEVER ASSY.....	1				
4	45530-NN4-N10	PISTON SET, CLUTCH.....	1				
5	22882-NN4-L60	CLUTCH LEVER HOLDER.....	1				
6	90089-NN4-L60	PIN HOLDER.....	1				
7	90088-NN4-J10	BOLT, SOCKET 5X16.....	1				
8	90145-NN4-J10	OIL BOLT, 10X21.....	1				
9	90545-NN4-J10	WASHER, OIL BOLT.....	2				
10	22900-NN4-J11	HOSE, CLUTCH.....	1				
11	90658-NN4-J10	CLIP.....	1				
12	53172-NN4-J30	BOLT.....	1				
13	53173-NN4-J30	SPRING.....	1				

Block N.º

F-4 (ED/2ED)

Steering handle pipe
Top bridge
Head light

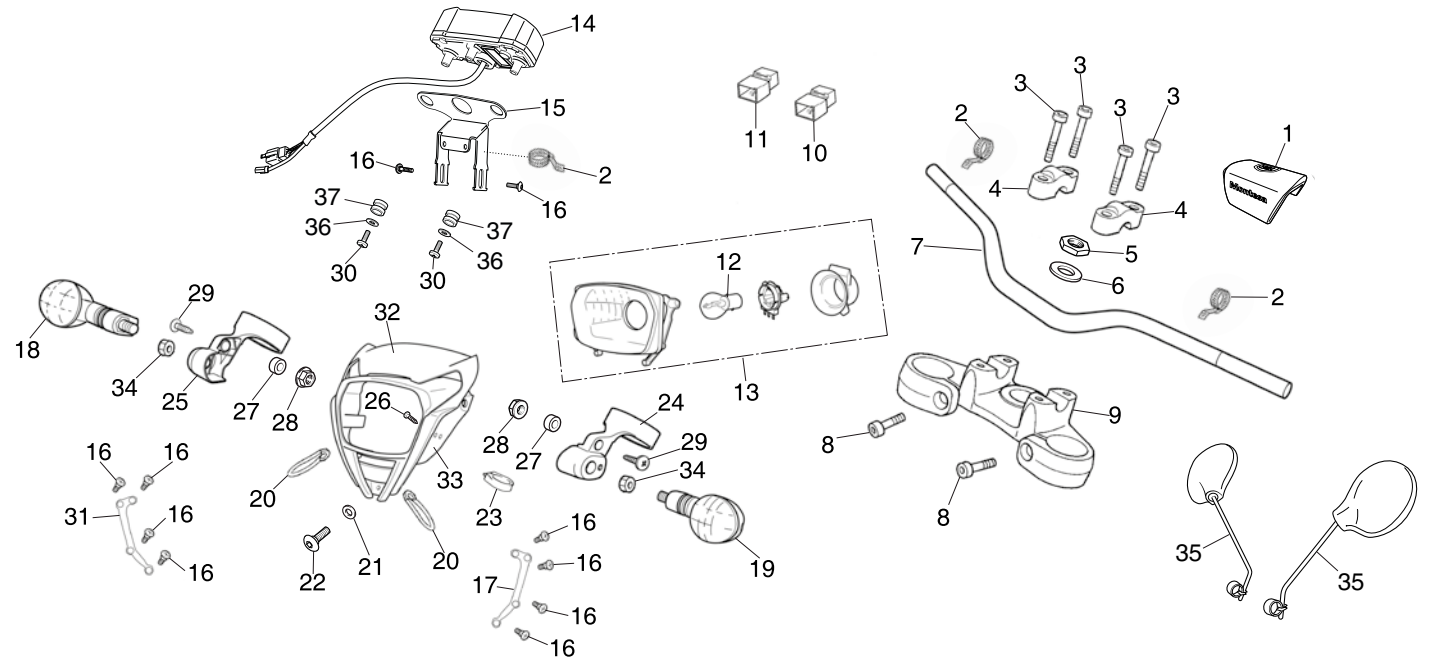


No.	Part Number	Description	Qty.	No.	Part Number	Description	Qty.
1	53121-NN4-J10	PAD PROTECTOR "S3" (ED).....	1	15	61319-NN4-M10	SPEEDOMETER STAY	1
	53121-NN4-K20	PAD PROTECTOR "RENTHAL"(2ED).....	1	16	90129-NN4-C10	BOLT BZ 4,2X16 (DIN 7981)	10
2	90602-NN4-600	TIE-BAND BLACK 150mm.....	3	17	61314-NN4-C10	STAY LH HEAD LIGHT	1
3	90124-KZ4-J40	BOLT, HEX. M8X35	4	18	33400-NN4-J10	WINKER ASSY RH FR	1
4	53131-NN4-J10	HOLDER, (HANDLE PIPE) UPPER.....	2	19	33450-NN4-J10	WINKER ASSY LH FR	1
5	90304-MEE-D00	NUT, TOP BRIDGE.....	1	20	94591-27000	CLIP 2x70 MM	2
6	53215-MEE-D00	WASHER, TOP BOLT	1	21	90526-NN4-C10	WASHER.....	1
7	53100-NN4-K10	PIPE, STRIG HANDLE "S3" (ED).....	1	22	90121-NN4-C10	BOLT 6X10	1
	53100-NN4-K20	PIPE, STRIG HANDLE "RENTHAL" (2ED).....	1	23	45468-NN2-000ZA	BRAKE HOSE GUIDE (BLACK).....	1
8	96600-080-2810	SOCKET BOLT 8X28	2	24	61391-NN4-C10	STAY LH H/L CASE	1
9	53230-NN4-K10	TOP BRIDGE FORK (BLACK)	1	25	61390-NN4-C10	STAY RH H/L CASE	1
10	38500-GC7-612	RELAY ASW. START	1	26	93913-14180	SCREW 4X10.....	1
11	38300-NN4-G10	RELAY, ASSY. WINKER	1	27	90506-NN4-C10	COLLAR.....	2
12	34901-NN2-900	BULB, HEAD LIGHT	1	28	90206-NN4-C10	NUT HEX 6 MM	2
13	33100-NN4-C10	LIGHT ASSY. HEAD	1	29	90120-NN4-C10	BOLT 6X20	2
14	37200-NN4-M10	SPEEDOMETER EURO 4.....	1	30	93913-15280	BOLT 5X12	2

Block N.º

F-4 (ED/2ED)

Steering handle pipe
Top bridge
Head light

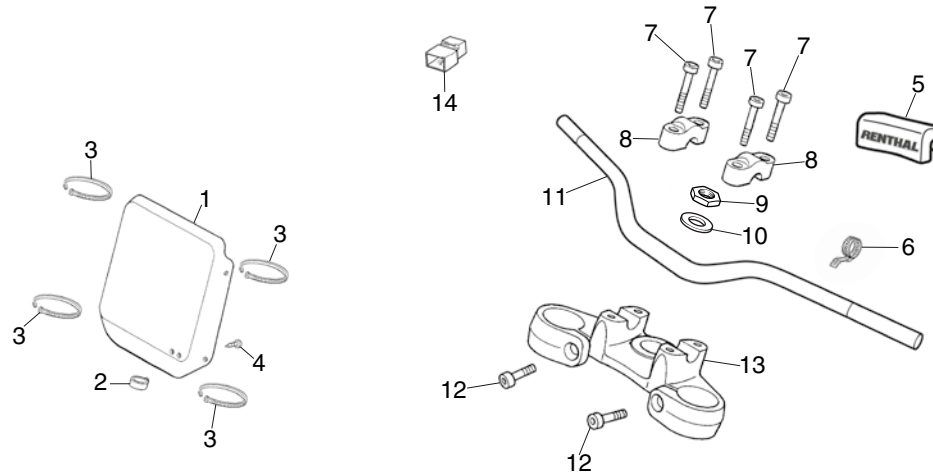


No.	Part Number	Description	Qty.	No.	Part Number	Description	Qty.
31	61313-NN4-C10	STAY RH HEAD LIGHT	1				
32	61320-NN4-C10ZA	VISOR H/L (WHITE).....	1				
33	61310-NN4-C10ZB	CASE GEAD LIGHT BLACK.....	1				
34	94050-10000	NUT FLANGE 10 MM	2				
35	88100-NN4-H11	REAR VIEW MIRROR.....	2				
36	90512-NN4-L80	WASHER, 5,3x15	2				
37	64615-KR1-860	RUBBER.....	2				

Block N.º

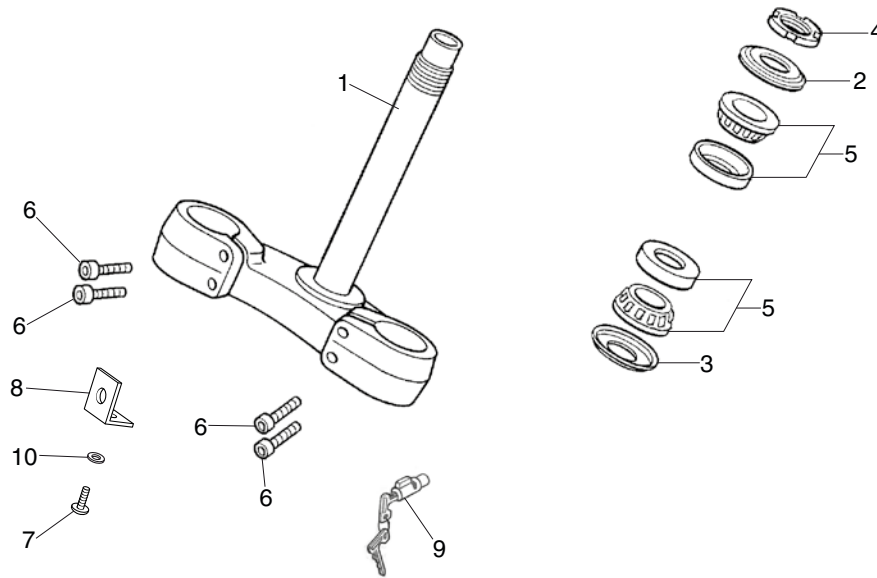
F-4 (3ED/4ED)

Steering handle pipe
Top bridge



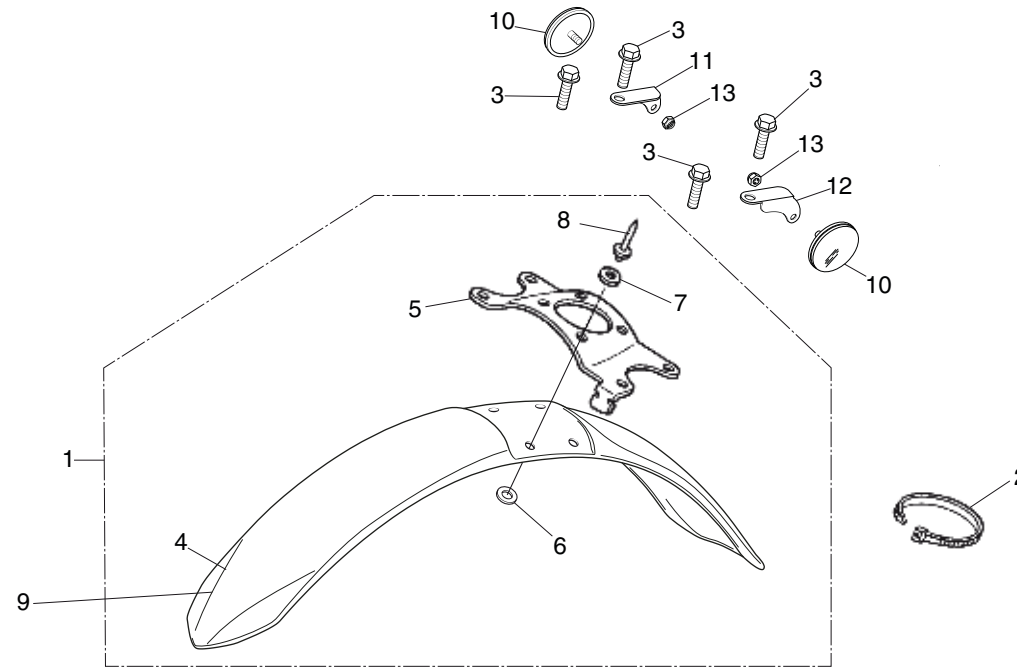
No.	Part Number	Description	Qty.	No.	Part Number	Description	Qty.
1	61301-NN3-000	PLATE NUMBER	1				
2	45468-NN2-000ZB	GUIDE, BRK HOSE	1				
3	61312-NN2-900	TIE BAND	4				
4	93913-14180	SCREW, TAPPING 4X10	1				
5	53121-NN4-J10	PAD PROTECTOR "S3" (3ED).....	1				
	53121-NN4-K20	PAD PROTECTOR "RENTHAL"(4ED).....	1				
6	90602-NN4-600	TIE-BAND 150mm.....	1				
7	90124-KZ4-J40	BOLT, HEX. M8X35	4				
8	53131-NN4-J10	HOLDER, (HANDLE PIPE) UPPER.....	2				
9	90304-MEE-D00	NUT, TOP BRIDGE.....	1				
10	53215-MEE-D00	WASHER, TOP BOLT	1				
11	53100-NN4-K10	PIPE, STRIG HANDLE "S3" (3ED).....	1				
	53100-NN4-K20	PIPE, STRIG HANDLE "RENTHAL" (4ED).....	1				
12	96600-080-2810	SOCKET BOLT 8X28	2				
13	53230-NN4-K10	FORK TOP BRIDGE (BLACK)	1				
14	38500-GC7-612	RELAY ASW. START	1				

Block N.º
F-5
 Steering stem



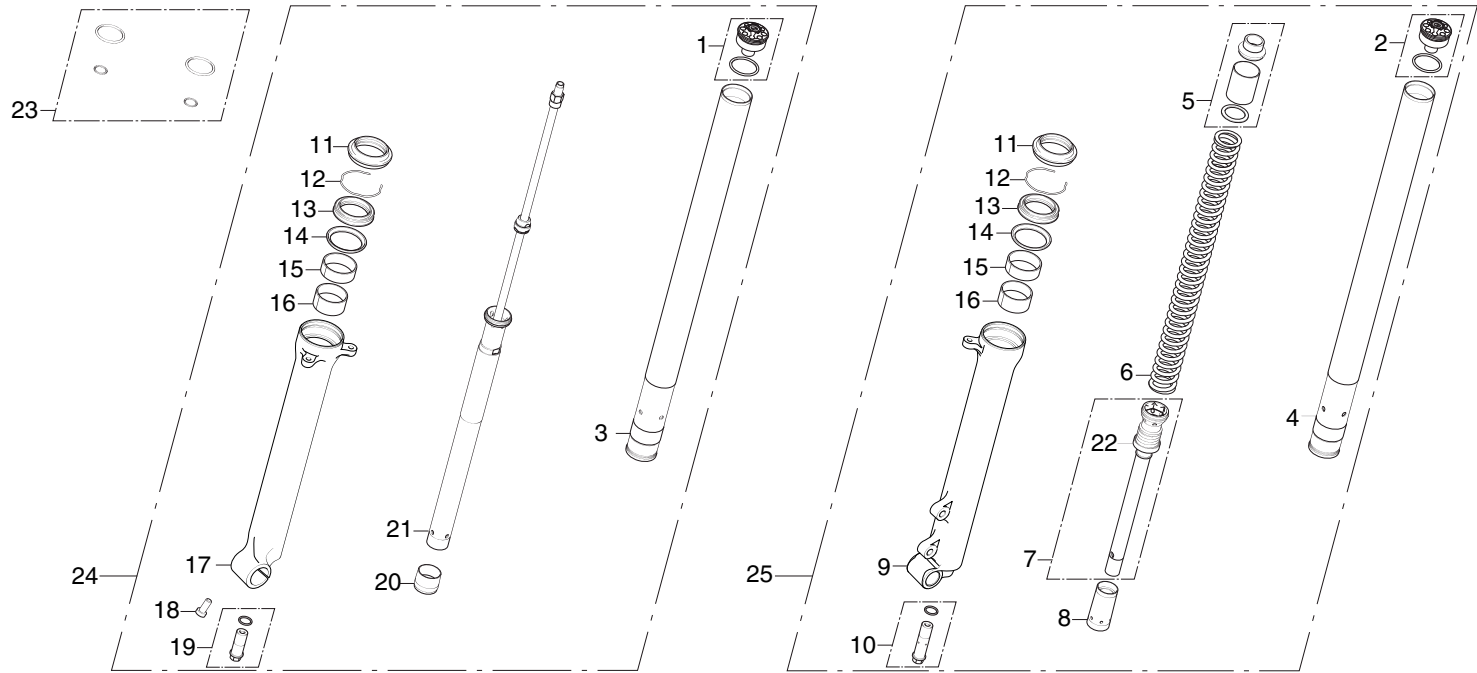
No.	Part Number	Description	Qty.	No.	Part Number	Description	Qty.
1	53200-NN4-K10	STEM COMP., STRG (BLACK)	1				
2	53214-KCY-670	DUST SEAL	1				
3	53214-KA4-701	DUST SEAL	1				
4	53229-NN4-G00	THREAD, STRG	1				
5	91015-425-831	BEARING, HEAD PIPE UP	2				
6	96600-08025-10	SOCKET BOLT, 8X25	4				
7	90114-NN4-C10	BRAKE PLATE, BOLT	1				
8	61315-NN4-C10	HEAD CASE, BRAKE PLATE (ED/2ED)	1				
9	53600-NN4-J10	LOCK COMP. HANDLE (ED/2ED).....	1				
10	90525-NN4-C10	WASHER 5MM (3ED/4ED)	1				

Block N.º
F-6
 Front fender



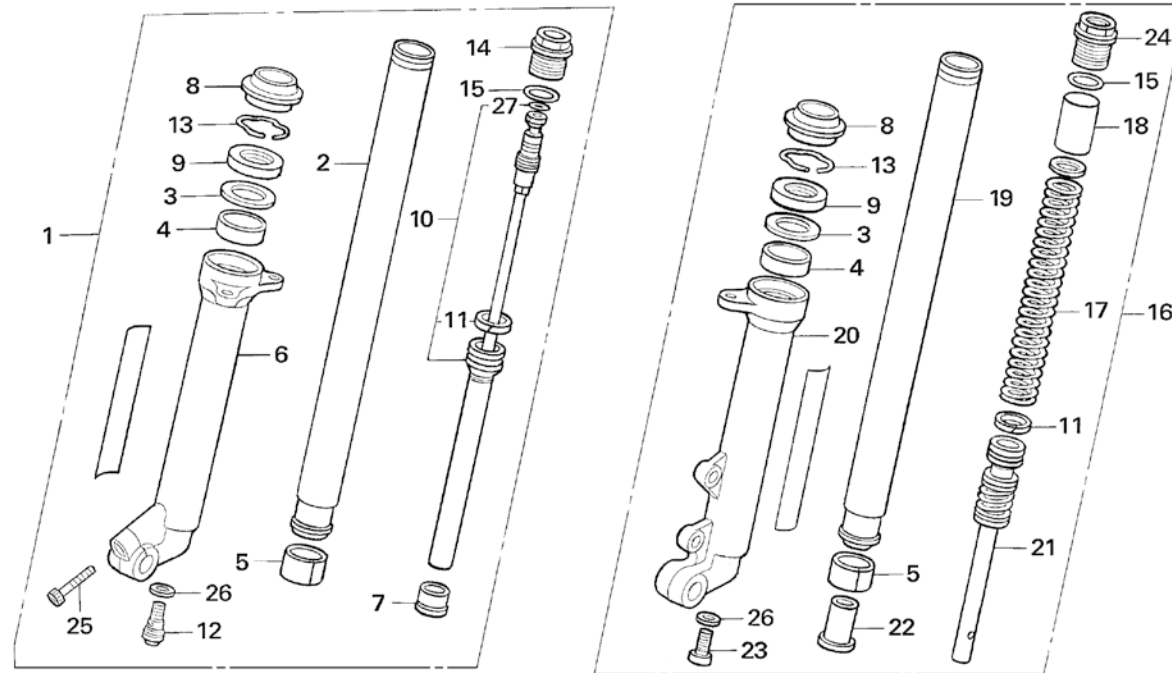
No.	Part Number	Description	Qty.	No.	Part Number	Description	Qty.
1	61100-NN4-N10	FENDER COMP., FR (WHITE) (ED/3ED)	1	13	90201-NN4-600	NUT M4.....	2
	61100-NN4-M20	FENDER COMP., FR (BLACK) (2ED/4ED)	1				
2	90602-NN4-600	TIE-BAND BLACK 150mm.....	1				
3	96001-06014-00	BOLT, FLANGE SH 6X14.....	4				
4	61050-NN4-N10	FRONT FENDER WITH DECALS (ED/3ED).....	1				
	61050-NN4-M20	FRONT FENDER WITH DECALS (2ED/4ED).....	1				
5	61105-NN4-J10	STRAY, FRONT FENDER (ED/3ED).....	1				
	61105-NN4-D00	STRAY, FRONT FENDER (2ED/4ED).....	1				
6	61102-NN3-820	SPECIAL WASHER	4				
7	94101-05000	WASHER, PLAIN 5 MM.....	4				
8	90851-NN4-B00	RIVET 4,8 x 14 MM	4				
9	61101-NN4-K10ZC	FRONT FENDER (WHITE) WITHOUT DECALS (ED/3ED)	1				
	61101-NN4-K10ZB	FRONT FENDER (BLACK) WITHOUT DECALS (2ED/4ED).....	1				
10	33741-NN4-M11	REFLEX REFLECTOR	2				
11	33742-NN4-M10	STAY RH REFLECTOR.....	1				
12	33743-NN4-M10	STAY LH REFLECTOR	1				

Block N.º
F-7 (ED/3ED)
 Front fork (Tech)



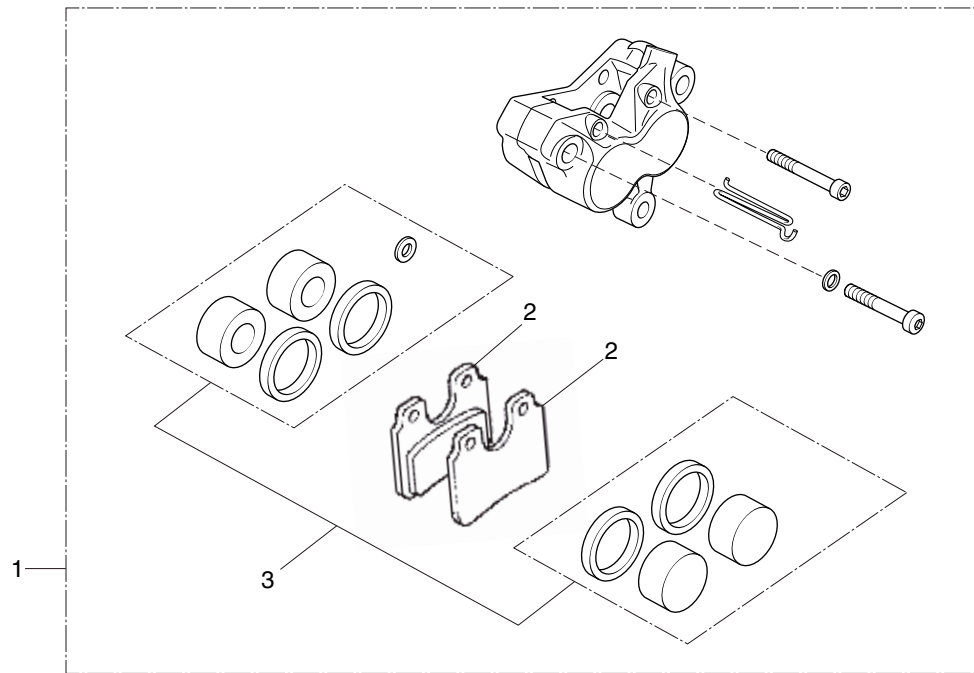
No.	Part Number	Description	Qty.	No.	Part Number	Description	Qty.
1	51450-NN4-J11	GROUP TOP CAP EXTENSION	1	17	51420-NN4-M11	CASE, RH. BOTTOM.....	1
2	51550-NN4-J11	GROUP TOP CAP PRELOAD SPRING	1	18	90116-NN4-M11	BOLT, SOCKET, 8mm.....	1
3	51410-NN4-M11	PIPE COMP., RH. FR FROK	1	19	51441-NN4-J11	GROUP LOCK SCREW HYDRAULIC PUMP	1
4	51510-NN4-M11	PIPE COMP., LH. FR FROK	1	20	51421-NN4-J11	PLATE, CENTERING	1
5	51502-NN4-K11	GROUP SPACERS SPRING.....	1	21	51430-NN4-J11	DAMPER COMP., RH. FR	1
6	51501-NN4-K11	FORK SPRING	1	22	51437-NN4-J11	RING, PISTON.....	1
7	51530-NN4-J11	CYLINDER COMP., FR.....	1	23	51458-NN4-J11	GROUP RINGS SEAL	1
8	51531-NN4-J11	CONE LIMIT LEFT.....	1	24	51400-NN4-M10	FORK ASSY., RH. FR	1
9	51520-NN4-M11	CASE, LH. BOTTOM.....	1	25	51500-NN4-M10	FORK ASSY., LH. FR.....	1
10	51541-NN4-J11	NEEDLE REGULATION GROUP	1				
11	51422-NN4-L10	SEAL, DUST.....	2				
12	51447-NN4-J11	RING, OIL SEAL STOP.....	2				
13	51425-NN4-J11	SEAL, OIL.....	2				
14	51412-NN4-J11	RING STOP BUSHING OIL SEAL	2				
15	51415-NN4-J11	BUSH	2				
16	51414-NN4-J11	BUSH	2				

Block N.º
F-7 (2ED/4ED)
 Front fork (Showa)



No.	Part Number	Description	Qty.	No.	Part Number	Description	Qty.
1	51400-NN4-G11	FORK ASSY., RH. FR	1	17	51501-NN4-003	SPRING, FR FORK.....	1
2	51410-NN4-003	PIPE COMP., RH. FR FROK	1	18	51502-NN3-821	COLLAR, SPRING.....	1
3	51412-NN4-003	SEAL SPACER	2	19	51510-NN4-003	PIPE COMP., LH. FR FROK	1
4	51414-NN4-G01	BUSH, GUIDE	2	20	51520-NN3-821	CASE, L. BOTTOM.....	1
5	51415-NN4-G01	BUSH, SLIDE	2	21	51530-NN4-003	CYLINDER COMP., FR.....	1
6	51420-NN4-003	CASE, RH. BOTTOM.....	1	22	51531-NN3-821	PIECE, OIL LOCK.....	1
7	51421-NN3-821	PLATE, CENTERING	1	23	51541-NN3-821	BOLT,CENTER.....	1
8	51422-NN3-821	SEAL, DUST	2	24	51550-NN4-G01	BOLT COMP., LH. FR FORK	1
9	51425-NN3-821	SEAL, OIL.....	2	25	90116-383-721	BOLT, SOCKET, 8mm.....	1
10	51430-NN4-G01	DAMPER COMP., RH. FR	1	26	90544-KS7-003	WASHER, SPECIAL	2
11	51437-MN5-003	RING, PISTON.....	2	27	91311-MR7-003	O-RING	1
12	51441-NN4-G01	BOLT COMP., RH. CENTER	1				
13	51447-MK7-671	RING, OIL SEAL STOP.....	2				
14	51450-NN4-G01	BOLT, R. FR FORK	1				
15	51458-NN3-821	O-RING	2				
16	51500-NN4-G11	FORK ASSY., LH. FR.....	1				

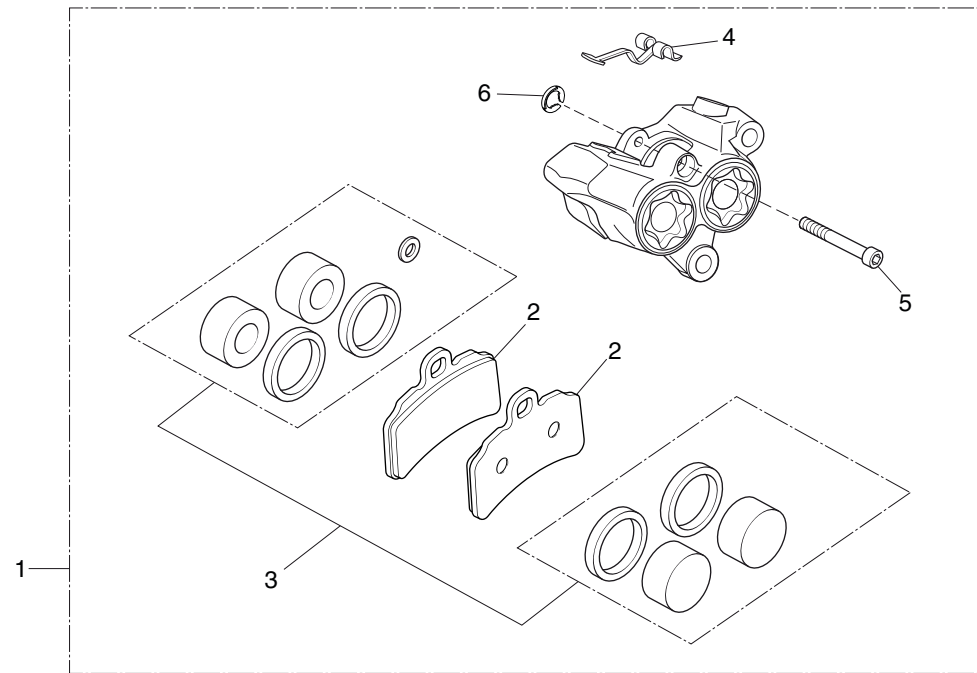
Block N.º
F-8 (ED/3ED)
 Front brake caliper



FR.

No.	Part Number	Description	Qty.	No.	Part Number	Description	Qty.
1	45100-NN4-N10	CALIPER ASSY., FR	1				
2	45105-NN3-830	PAD COMP., FR.....	2				
3	45120-NN3-305	PISTON SET, FR CALIPER.....	1				

Block N.º
F-8 (2ED/4ED)
 Front brake caliper



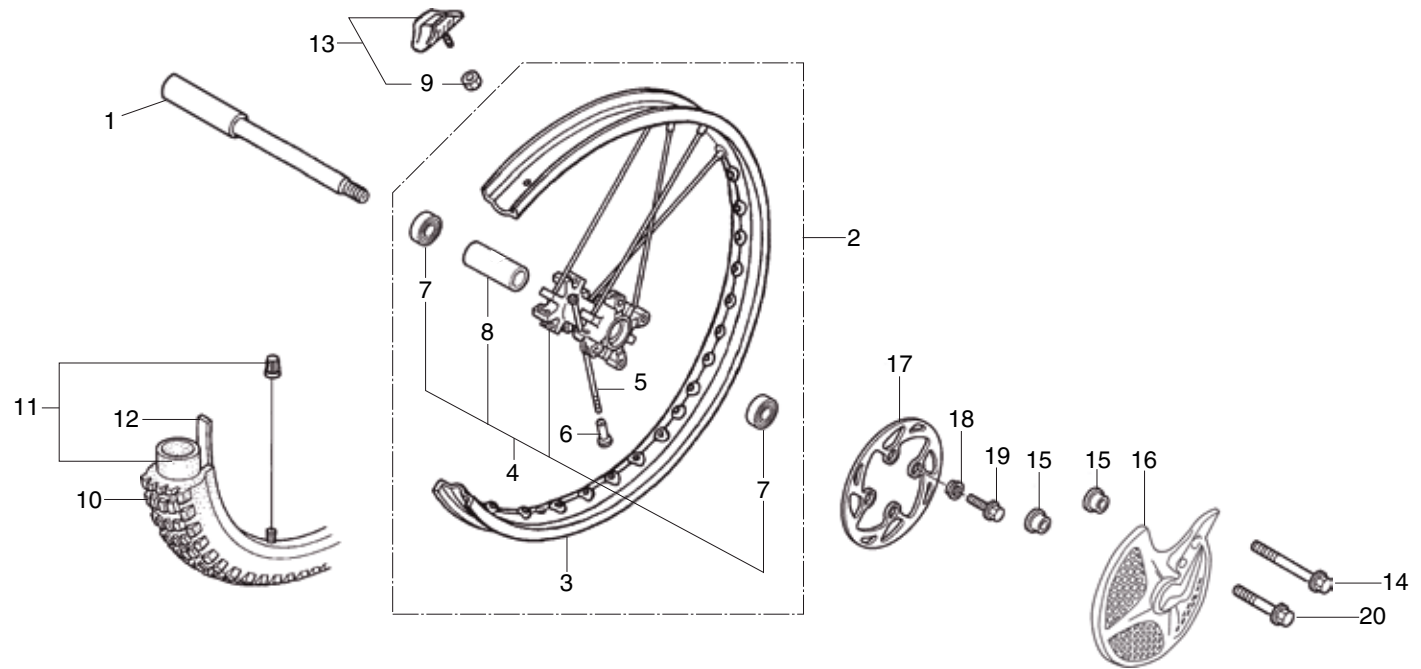
FR. ←

No.	Part Number	Description	Qty.	No.	Part Number	Description	Qty.
1	45100-NN4-N20	CALIPER ASSY., FR	1				
2	45105-NN4-N20	PAD COMP., FR.....	2				
3	45120-NN3-N20	PISTON SET, FR CALIPER.....	1				
4	45108-NN4-N20	SPRING.....	1				
5	45109-NN4-N20	PAD PIN	1				
6	90651-NN4-N20	CRICLIP	1				

Block N.º

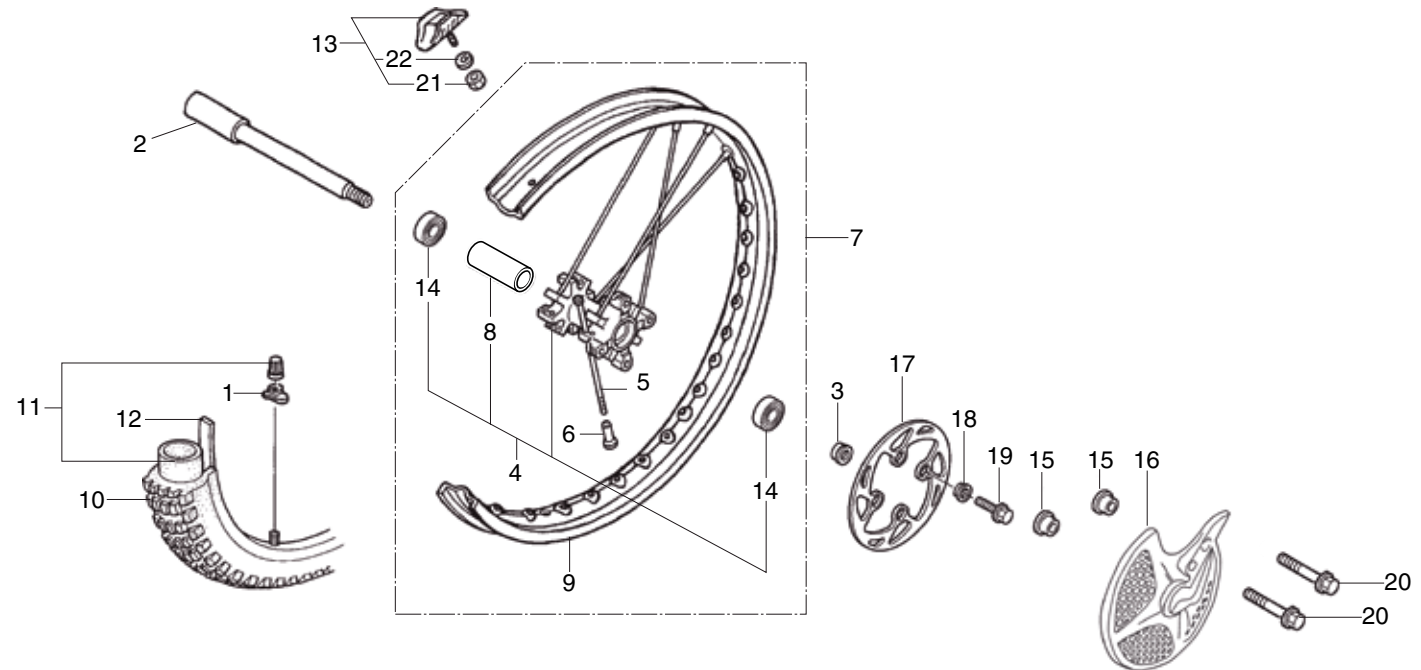
F-9 (ED/3ED)

Front wheel



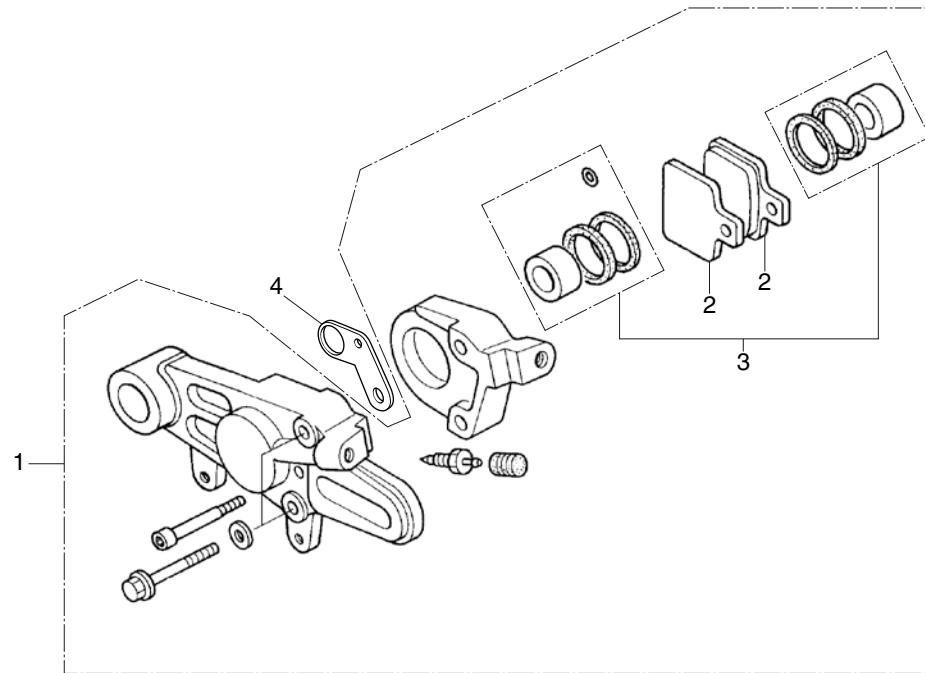
No.	Part Number	Description	Qty.	No.	Part Number	Description	Qty.
1	44301-NN4-J10	AXLE, FR WHEEL.....	1	17	45351-NN4-000	DISK, FR BRAKE.....	1
2	44650-NN4-J10	RIM ASSY., FR	1	18	45352-NN4-000	COLLAR, FR DISK	4
3	44701-NN4-J10	RIM, FR WHEEL	1	19	90105-NN4-D00	BOLT, BRK DISK 6X18.....	4
4	44602-NN4-J10	RED HUB ASSY., FR WHEEL	1	20	96300-08032-00	BOLT, SOCKET 8X32	1
5	44603-NN4-J10	SPOKE, FR.....	32				
6	44608-NN4-J10	NIPPLE, SPOKE.....	32				
7	96150-60040-10	BEARING, BALL RADIAL 6004	2				
8	44620-NN4-J10	COLLAR, FR WHEEL DIST	1				
9	44708-NN4-J10	NUT, M8 W/WASHER.....	1				
10	----	TIRE, FRONT (NOT SALE).....	1				
11	----	TUBE (NOT SALE).....	1				
12	44712-400-004	RIM, BAND.....	1				
13	44715-NN4-J10	STOPPER, 1.60 BEAD	1				
14	96300-08055-00	BOLT, SOCKET 8X55	1				
15	45331-NN3-830	COLLAR	2				
16	45332-NN4-J10	COVER, FR DISK	1				

Block N.º
F-9 (2ED/4ED)
 Front wheel



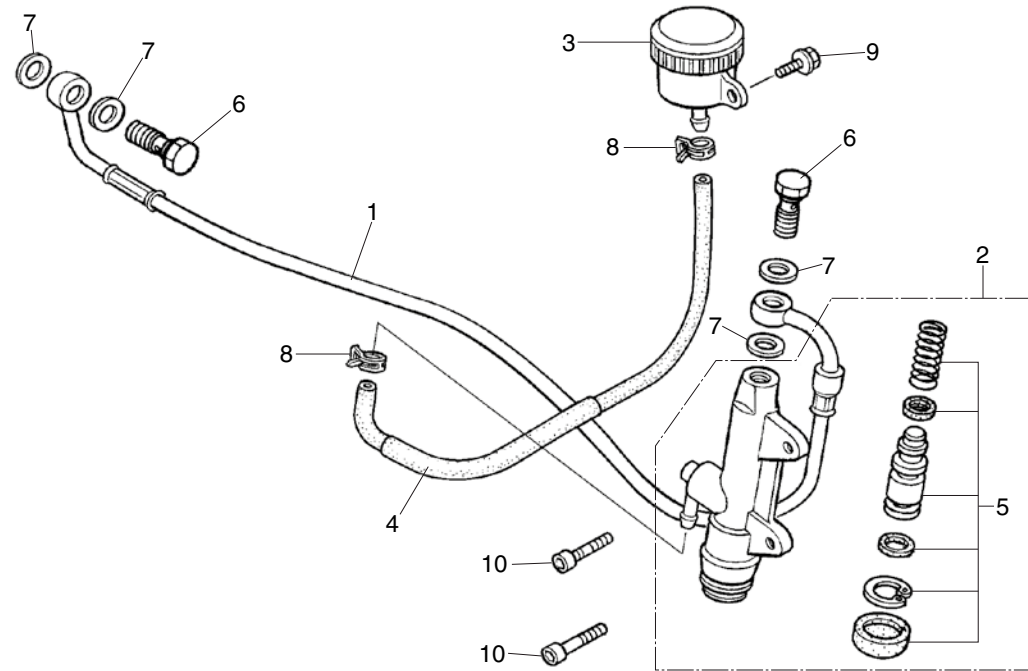
No.	Part Number	Description	Qty.	No.	Part Number	Description	Qty.
1	42714-KA3-710	CAP, VALVE	1	17	45351-NN4-000	DISK, FR BRAKE.....	1
2	44301-NN3-000	AXLE, FR WHEEL.....	1	18	45352-NN4-000	COLLAR, FR DISK	4
3	44311-NN4-000	COLLAR L., FR WHEEL	1	19	90105-NN4-D00	BOLT, BRK DISK 6X18.....	4
4	44602-NN4-J20	BLACK HUB ASSY., FR WHEEL	1	20	96300-08032-00	BOLT, SOCKET 8X32	2
5	44603-NN4-H01	SPOKE, FR.....	32	21	94001-08000-0S	NUT, HEX M8	1
6	44608-KZ4-J40	NIPPLE, SPOKE.....	32	22	94111-08000	WASHER, SPRING 8mm.....	1
7	44650-NN4-J20	RIM ASSY., FR	1				
8	44620-NN4-J10	COLLAR, FR WHEEL DIST	1				
9	44701-NN4-J20	RIM, FR WHEEL.....	1				
10	----	TIRE, FRONT (NOT SALE).....	1				
11	----	TUBE (NOT SALE).....	1				
12	----	RIM, BAND (NOT SALE).....	1				
13	44715-MA0-770	STOPPER, 1.60 BEAD	1				
14	96150-60040-10	BEARING, BALL RADIAL 6004	2				
15	45331-NN3-830	COLLAR	2				
16	45332-NN4-C10ZA	COVER (BLACK), FR DISK.....	1				

Block N.º
F-10
 Rear brake caliper



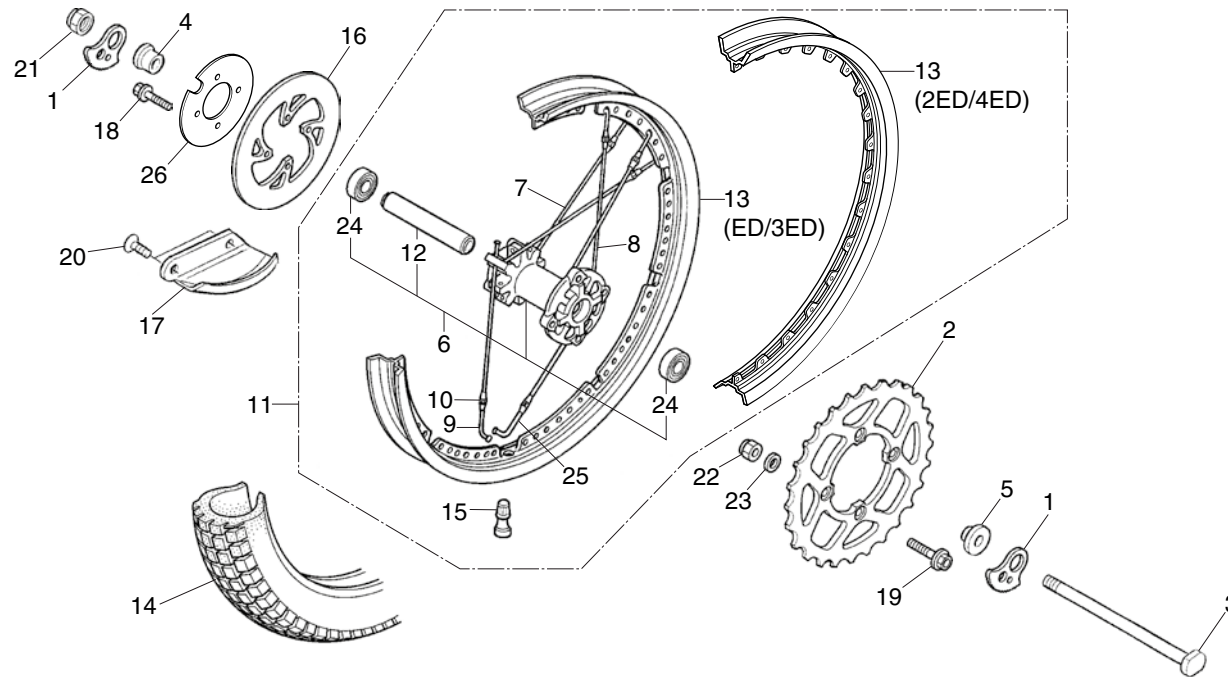
No.	Part Number	Description	Qty.	No.	Part Number	Description	Qty.
1	43100-NN4-N30	CALIPER ASSY., RR.....	1				
2	43105-NN3-830	PAD COMP., RR	2				
3	43120-NN3-305	PISTON SET, RR CALIPER	1				
4	37715-NN4-J10	PLATE, SPEED SENSOR (ED/2ED).....	1				

Block N.º
F-11
 Rear brake master cylinder



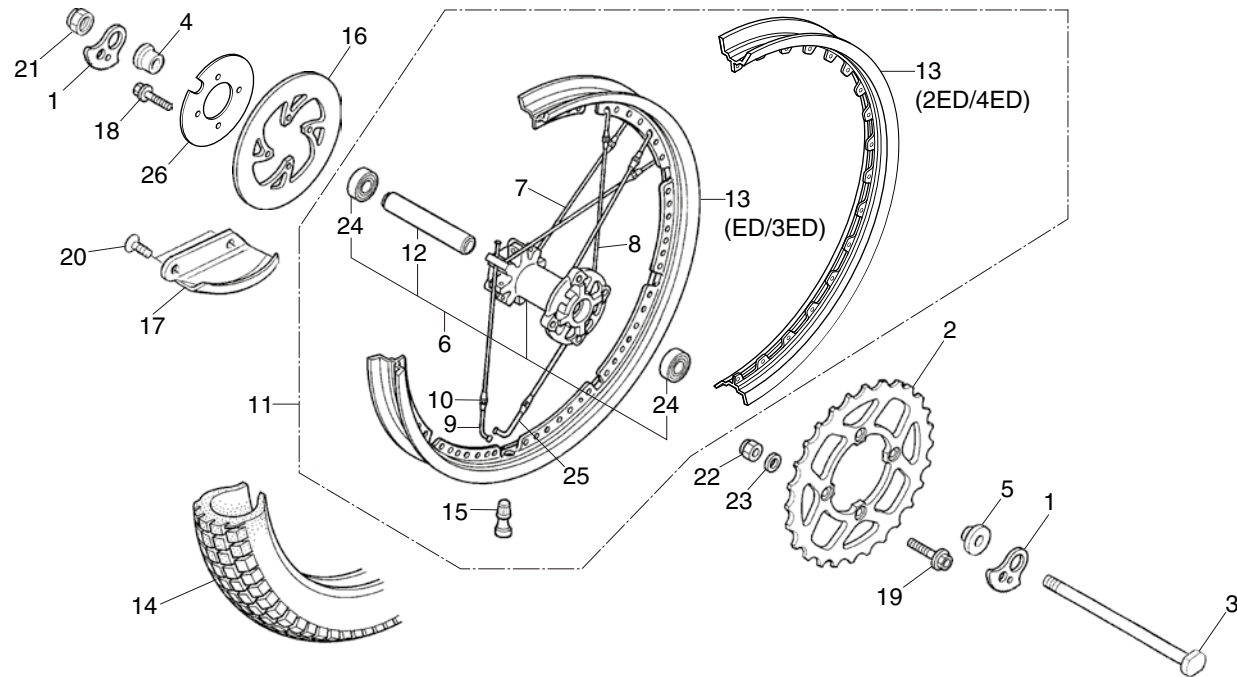
No.	Part Number	Description	Qty.	No.	Part Number	Description	Qty.
1	43310-NN4-J11	HOSE, RR BRAKE.....	1				
2	43500-NN4-K11	M/C ASSY., REAR.....	1				
3	43510-NN2-900	TANK ASSY., RESERVE	1				
4	43511-NN4-000	TUBE COMP., RR M/C.....	1				
5	43520-NN4-K10	PISTON SET, RR M/C	1				
6	90145-NN4-J10	OIL BOLT, 10X21.....	2				
7	90545-NN4-J10	WASHER, OIL BOLT	4				
8	95002-NN4-J10	CLAMP, D8.5 TUBE.....	2				
9	96001-06012-00	BOLT, FLANGE SH 6X12.....	1				
10	96600-06022-00	SOCKET BOLT, 6X22	2				

Block N.º
F-12
Rear wheel



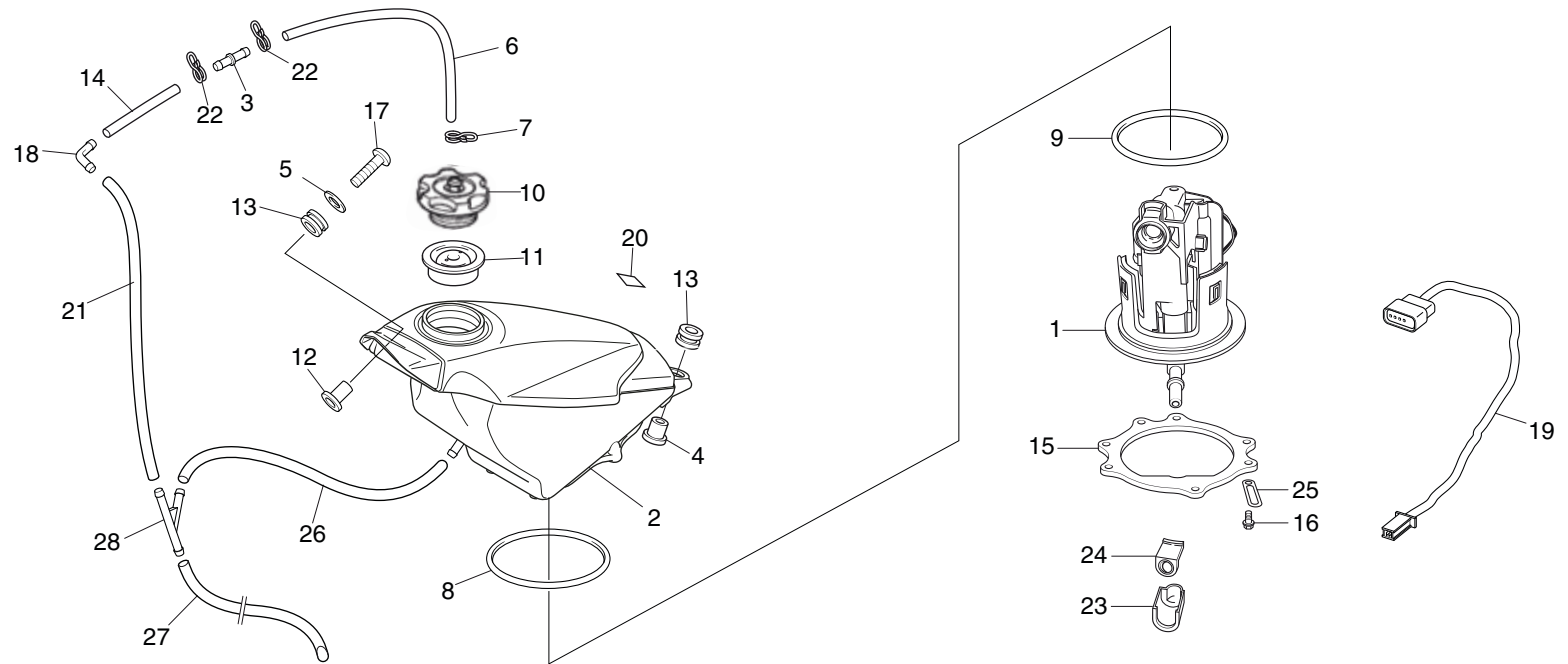
No.	Part Number	Description	Qty.	No.	Part Number	Description	Qty.
1	40544-NN4-C00	ADJUSTER, CHAIN.....	2	42650-NN4-J20	RIM ASSY., RR (2ED/4ED)	1	
2	41201-NN4-J30	SPRKT 41T, FINAL DRIVEN	1	42620-NN4-H00	COLLAR, RR WHEEL DIST	1	
3	42301-NN3-000	AXLE, RR WHEEL	1	42701-NN4-J10	RIM, RR WHEEL (ED/3ED).....	1	
4	42311-NN4-H00	COLLAR RH., RR WHEEL.....	1	42701-NN4-J20	RIM, RR WHEEL (2ED/4ED).....	1	
5	42312-NN4-H00	COLLAR LH., RR WHEEL	1	14	----	TIRE, RR (NOT SALE).....	1
6	42602-NN4-J10	HUB ASSY., WHEEL (ED/3ED)(RED).....	1	15	42753-NN4-J10	VALVE, RIM TR412 (ED/3ED)	1
	42602-NN4-H20	HUB ASSY., WHEEL (2ED/4ED)(BLACK)	1		42753-KBS-901	VALVE, RIM TR412 (2ED/4ED)	1
7	42603-NN4-J10	SPOKE RH., RR WHEEL (ED/3ED)	16	16	43121-NN4-C00	DISK, RR BRAKE	1
	42603-NN4-H01	SPOKE RH., RR WHEEL (2ED/4ED)	16	17	43330-NN4-J10	COVER, RR DISK.....	1
8	42604-NN4-J10	SPOKE LH., RR WHEEL (ED/3ED).....	16	18	90105-NN4-D00	BOLT, BRK DISK 6X18	4
	42604-NN4-H01	SPOKE LH., RR WHEEL (2ED/4ED).....	16	19	90125-KZ4-J40	BOLT, SH DR 8X22.....	4
9	42605-NN4-J10	SPOKE S, RR WHEEL (RIGHT) (ED/3ED)	32	20	90132-NN2-900	SCREW, 6X12	2
	42605-NN4-H01	SPOKE S, RR WHEEL (RIGHT) (2ED/4ED)	32	21	90305-NN2-900	NUT, AXLE.....	1
10	42607-NN4-J10	NIPPLE, RR WHEEL (ED/3ED).....	32	22	90309-ML3-791	NUT, U 8mm	4
	42607-NN4-H00	NIPPLE, RR WHEEL (2ED/4ED)	32	23	90401-NN4-000	WASHER, PLAIN, 8mm.....	4
11	42650-NN4-J10	RIM ASSY., RR (ED/3ED)	1	24	96150-60040-10	BEARING, BALL RADIAL 6004	2

Block N.º
F-12
Rear wheel



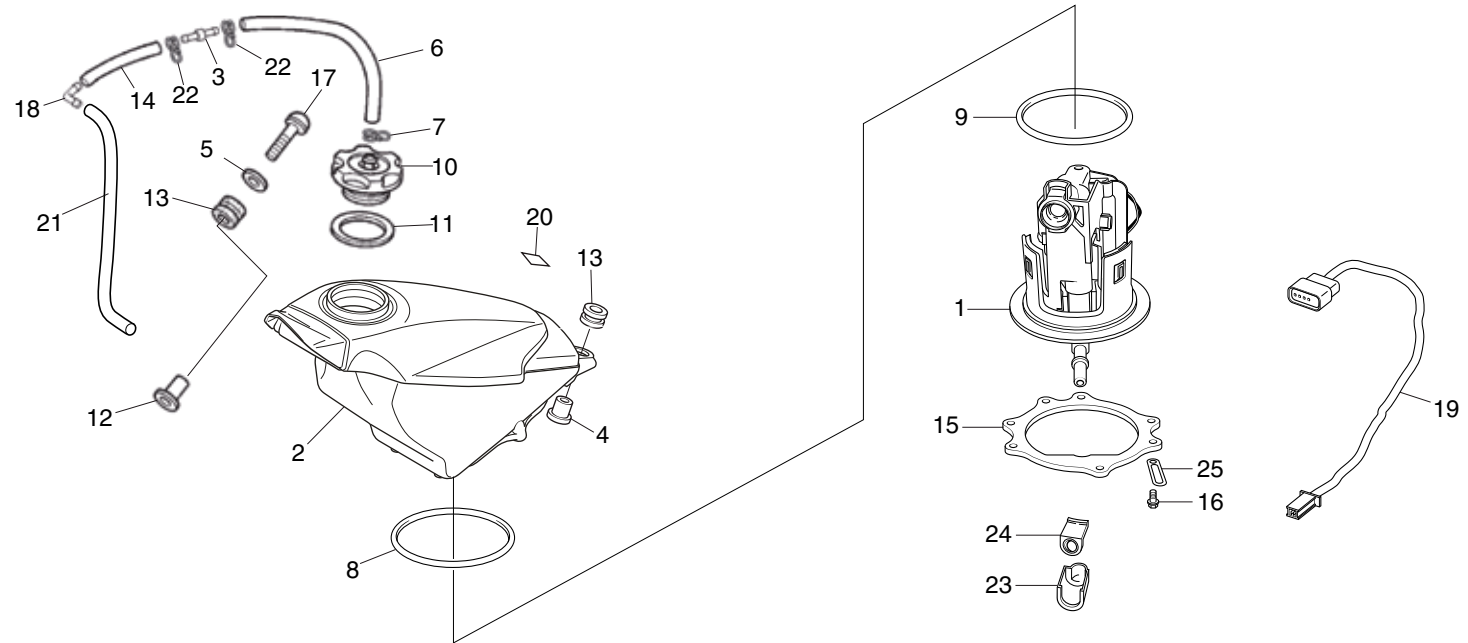
No.	Part Number	Description	Qty.	No.	Part Number	Description	Qty.
25	42606-NN4-J10	SPOKE S, L, RR WHEEL (ED/3ED).....	16				
	42606-NN4-H01	SPOKE S, L, RR WHEEL (2ED/4ED).....	16				
26	42515-NN4-J10	SPEED SENSOR PULSER (ED/2ED).....	1				

Block N.º
F-13 (ED/2ED)
 Fuel tank
 Fuel pump



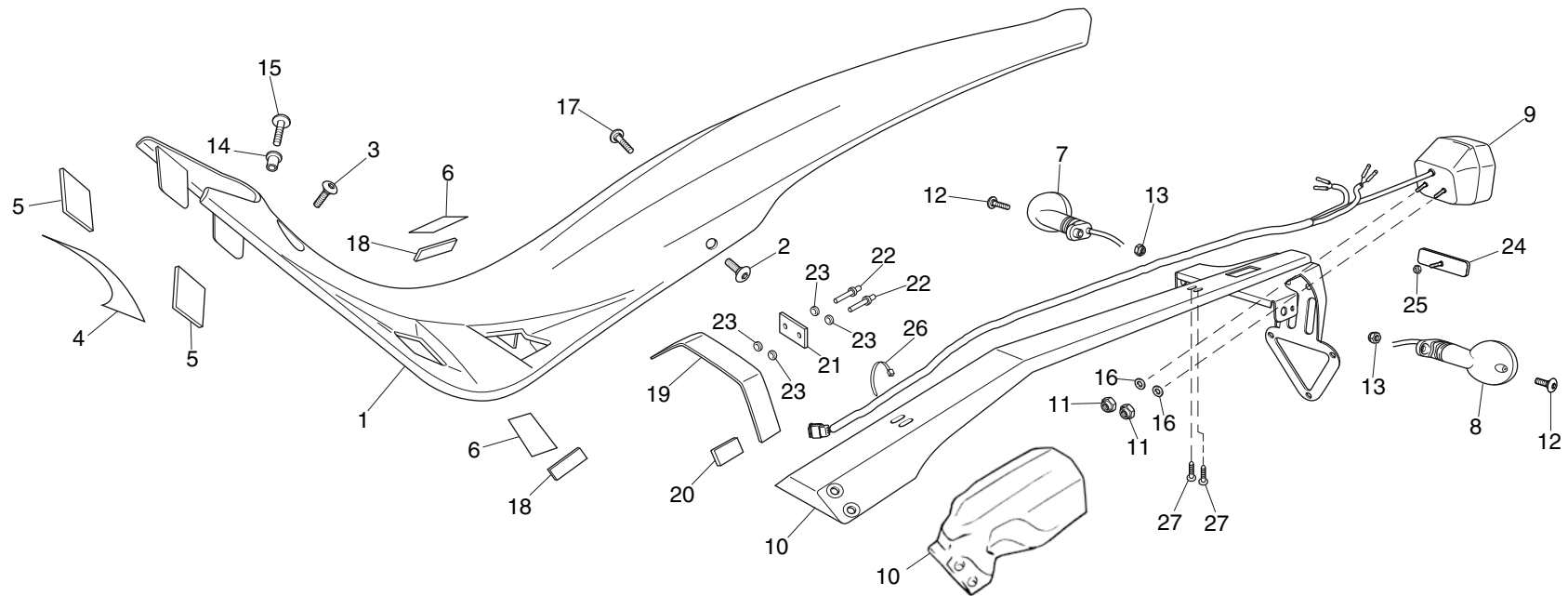
No.	Part Number	Description	Qty.	No.	Part Number	Description	Qty.
1	16700-NX7-003	UNIT ASSY., FUEL PUMP	1	16	90106-KRN-000	BOLT,FLANGE 5X12.....	7
2	17500-NN4-N10	SET, FUEL TANK (ED).....	1	17	90115-NN4-000	BOLT, SPL, 6X27	1
	17500-NN4-M20	SET, FUEL TANK (2ED).....	1	18	19114-NN4-600	JOINT 2 WAY	1
3	17625-NF4-003	VALVE.....	1	19	32103-NN4-L10	SUB HARNESS FUEL PUMP.....	1
4	17509-NN4-000	COLLAR, TANK SET	1	20	87586-MKF-D40	LABEL, E10/95+ FUEL	1
5	90501-NN4-G00	WASHER 6 MM.....	1		87586-NN4-N10	LABEL, E5/E10/95+ FUEL	1
6	17523-NN4-G00	TUBE, FUEL CAP BREATHER	1	21	17521-NN4-M10	DRAIN TUBE A.....	1
7	95002-02129	CLIP B12.....	1	22	95002-02100	CLIP B10.....	2
8	16712-MEN -A30	O-RING 2,4X88,4	1	23	17575-MEN -A30	COVER, FUEL CONNECTOR.....	1
9	16711-MEN-A30	O-RING 3,7X73,9	1	24	17576-MEN -A30	RUBBER, FUEL CONNECTOR	1
10	17621-NN4-M10	FUEL CAP	1	25	90106-KJ6-740	CLIP TUBE	1
11	17624-NN4-M10	PACKING, FUEL CAP	1	26	17524-NN4-M10	DRAIN TUBE B.....	1
12	61104-357-000	COLLAR, FR FENDER.....	1	27	17522-NN4-M10	DRAIN TUBE C	1
13	64615-KR1-860	RUBBER, LWR COWL MOUNT	2	28	16180-ML6-671	3 WAY JOINT	1
14	95005-55035-20	TUBE 5,3 x 35.....	1				
15	17519-NN4-L10	PLATE,FUEL PUMP	1				

Block N.º
F-13 (3ED/4ED)
 Fuel tank
 Fuel pump



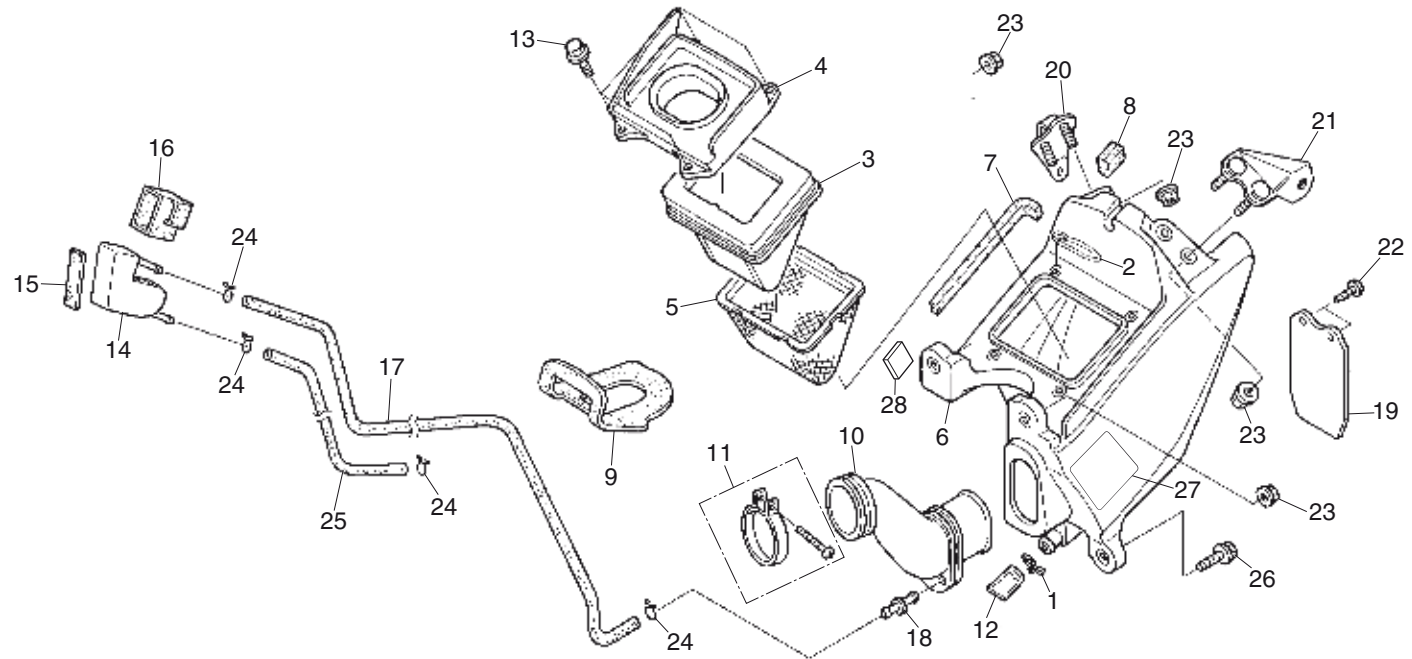
No.	Part Number	Description	Qty.	No.	Part Number	Description	Qty.
1	16700-NX7-003	UNIT ASSY., FUEL PUMP	1	16	90106-KRN-000	BOLT,FLANGE 5X12.....	7
2	17500-NN4-M30	SET, FUEL TANK (WITH STRIP MONTESA) (3ED)	1	17	90115-NN4-000	BOLT, SPL, 6X27	1
	17500-NN4-L20	SET, FUEL TANK (WITH STRIP MONTESA) (4ED)	1	18	19114-NN4-600	JOINT 2 WAY	1
3	17625-NF4-003	VALVE.....	1	19	32103-NN4-L10	SUB HARNESS FUEL PUMP.....	1
4	17509-NN4-000	COLLAR, TANK SET	1	20	87586-MKF-D40	LABEL, E10/95+ FUEL	1
5	90501-NN4-G00	WASHER 6 mm.....	1		87586-NN4-N10	LABEL, E5/E10/95+ FUEL	1
6	17523-NN4-G00	TUBE, FUEL CAP BREATHER	1	21	17521-NN4-G00	TUBE, FUEL CAP BREATHER	1
7	95002-02129	CLIP B12.....	1	22	95002-02100	CLIP B10.....	2
8	16712-MEN -A30	O-RING 2,4X88,4	1	23	17575-MEN -A30	COVER, FUEL CONNECTOR.....	1
9	16711-MEN-A30	O-RING 3,7X73,9	1	24	17576-MEN -A30	RUBBER, FUEL CONNECTOR	1
10	17621-NN4-000	BODY, FUEL CAP.....	1	25	90106-KJ6-740	CLIP TUBE	1
11	17624-NN4-000	PACKING, FUEL CAP	1				
12	61104-357-000	COLLAR, FR FENDER.....	1				
13	64615-KR1-860	RUBBER, LWR COWL MOUNT	2				
14	95005-55035-20	TUBE 5,3 x 35	1				
15	17519-NN4-L10	PLATE,FUEL PUMP	1				

Block N.º
F-14
 Rear fender



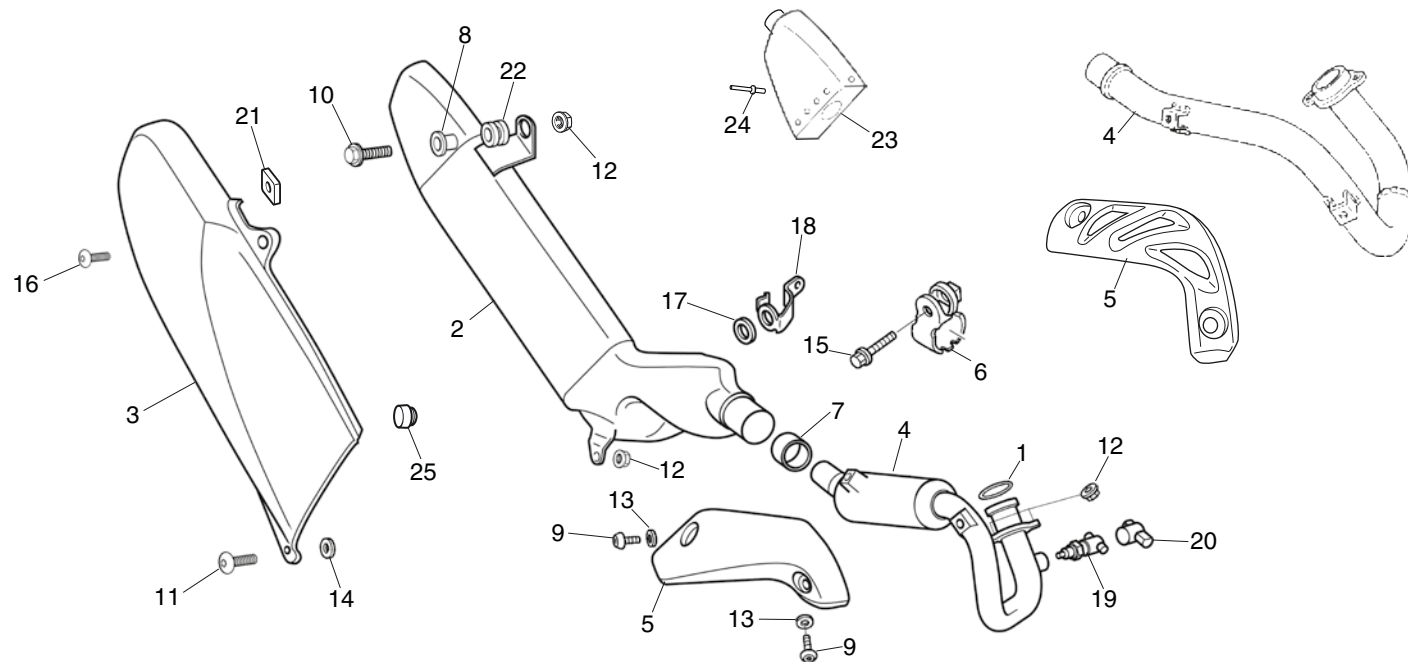
No.	Part Number	Description	Qty.	No.	Part Number	Description	Qty.
1	80050-NN4-N10	FENDER COMP., REAR WITH DECALS (ED/3ED)	1	14	80125-NN4-000	COLLAR	1
	80050-NN4-M20	FENDER COMP., REAR WITH DECALS (2ED/4ED)	1	15	90116-MAS-E00	BOLT 6x16	1
	80101-NN4-J10ZB	FENDER, REAR (WHITE) WITHOUT DECALS	1	16	90525-NN4-C10	WASHER 5 MM.....	2
2	90106-KY2-701	SCREW, PAN 6X11	1	17	90107-NN4-J10	BOLT 6x15	1
3	90115-NN4-000	BOLT, SPL, 6X27	1	18	64246-MEW-920	SIDE PROTECTORS	2
4	80108-NN4-J10	FRONT PROTECTOR	1	19	80103-NN4-300	PROTECTOR.....	1
5	80105-NN4-300	SIDE PROTECTORS A	2	20	80104-NN4-300	PROTECTOR.....	1
6	80106-NN4-J10	SIDE PROTECTORS B.....	2	21	80102-NN4-300	PROTECTOR.....	1
7	33600-NN4-J10	WINKER ASSY. RIGHT REAR (ED/2ED).....	1	22	90851-NN4-300	RIVET	2
8	33650-NN4-J10	WINKER ASSY. RIGHT LEFT (ED/2ED).....	1	23	90503-NN4-300	WASHER	4
9	33700-NN4-J10	UNIT, TAIL LIGHT COMP. (ED/2ED)	1	24	33741-KEB-621	REAR REFLECTOR.....	1
10	80105-NN4-J10	BRACKET (ED/2ED)	1	25	90205-NN4-J10	NUT	1
	80106-NN4-G30	BRACKET (3ED/4ED)	1	26	90602-NN4-600	TIE-BAND BLACK 150 MM (ED/2ED).....	1
11	90201-NN4-600	NUT 4 MM.....	2	27	90113-NN4-J10	SCREW-TAP4,8X9,5.....	2
12	90108-NN4-600	WINKER, BOLT	2				
13	90206-NN4-C10	NUT	2				

Block N.º
F-15
Air cleaner



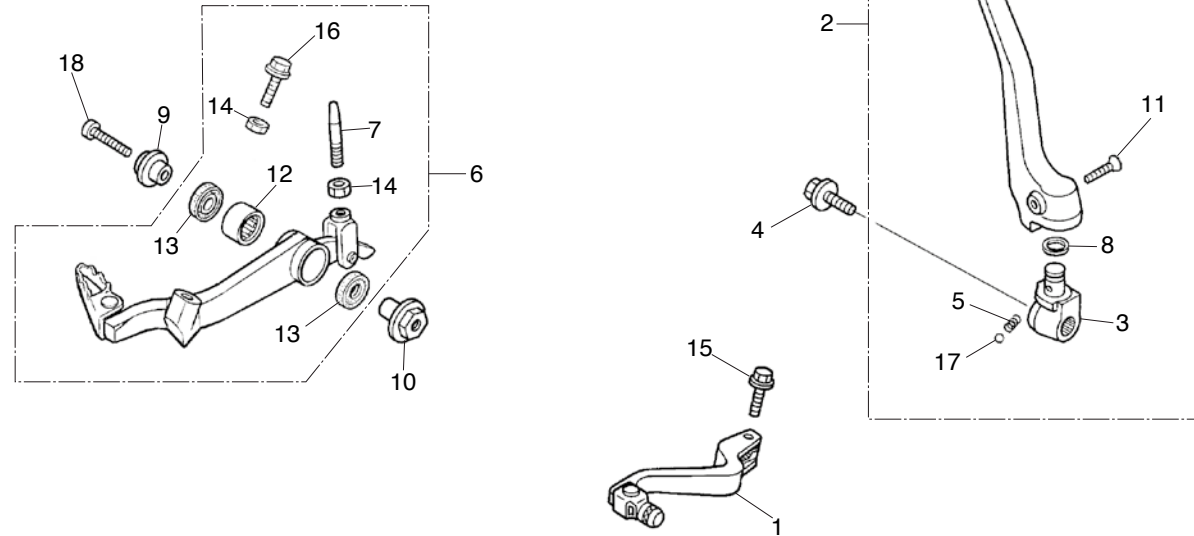
No.	Part Number	Description	Qty.	No.	Part Number	Description	Qty.
1	15707-634-000	CLIP, BREATHER TUBE	1	17	17554-NN4-000	TUBE, BREATHER A	1
2	90602-NN4-600	TIE-BAND BLACK 150mm	1	18	55102-166-000	JOINT, OIL TUBE	1
3	17211-NN4-000	ELEMENT, AIR/C	1	19	80110-NN3-000	MUD GUARD	1
4	17212-NN4-000	CAP, AIR/C CASE	1	20	80111-NN4-G10	STAY R., RR FENDER	1
5	17213-NN4-000	TRAP COMP, FLAME	1	21	80112-NN4-D00	STAY L., RR FENDER	1
6	17230-NN4-H00	CASE COMP, AIR/C	1	22	93913-14180	SCREW, TAPPING 4X10	2
7	17231-NN4-300	SEAL A, AIR/C CASE	1	23	94050-06000	NUT, FLANGE 6mm	6
8	17232-NN4-300	SEAL B, AIR/C CASE	1	24	95002-02100	CLIP B10, TUBE	4
9	17236-NN3-830	AIR GUARD	1	25	95005-55225-20	TUBE, 5.3X225	1
10	17253-NN4-000	TUBE, AIR/C CONN	1	26	95701-06025-00	BOLT, FLANGE 6X25	1
11	17255-KRJ-900	BAND, AIR/C CONNECTING TUBE	1	27	87560-NN4-K40	CAUTION LABEL (3ED/4ED) (ENGLISH)	1
12	17358-NN2-000	TUBE, DRAIN	1		87560-NN4-L30	CAUTION LABEL (3ED/4ED) (FRENCH)	1
13	90108-GK1-000	BOLT, FLANGE SH 6X12	4	28	17234-NN4-300	SEAL C AIR/C CASE	1
14	17551-NN4-000	TANK, STORAGE	1				
15	17552-NN4-000	RUBBER STORAGE TANK	1				
16	17553-NN4-000	CUSHION STORAGE TANK	1				

Block N.º
F-16
 Exhaust muffler



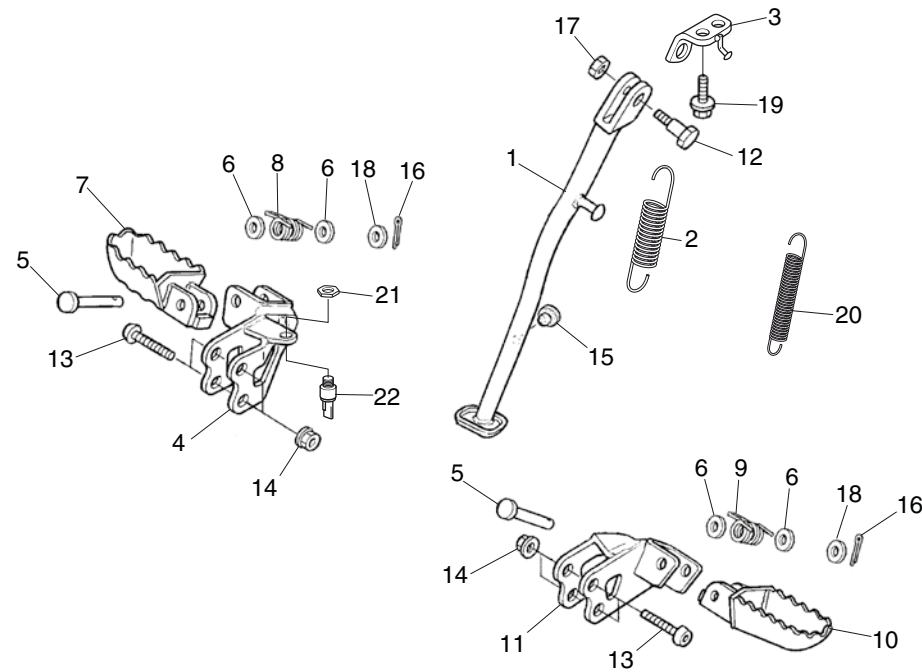
No.	Part Number	Description	Qty.	No.	Part Number	Description	Qty.
1	18291-NN4-000	GASKET, EXHAUST PIPE	1	14	90512-921-0100	WASHER, PLAIN 6mm.....	1
2	18310-NN4-G10	SILINER COMP. EXHAUST (ED/2ED)	1	15	96300-08028-00	BOLT, FLANGE DR 8X28.....	1
	18310-NN4-L40	SILINER COMP. EXHAUST (3ED/4ED)	1	16	90107-NN4-J10	SCREW, PAN 6x15.....	1
3	83510-NN4-J10	COVER RH. SIDE.....	1	17	83551-GE2-000	RUBBER SIDE COVER	1
4	18320-NN4-L80	EXHAUST PIPE COMP. (ED/2ED)	1	18	80113-NN4-G10	STAY SIDE COVER.....	1
	18330-NN4-G10	EXHAUST PIPE COMP. (3ED/4ED)	1	19	36532-GFC-771	O2 SENSOR	1
5	18323-NN4-M10	PROTECTOR EXHAUST PIPE (ED/2ED).....	1	20	18383-NN4-G10	COVER O2 SENSOR	1
	18323-NN4-000	PROTECTOR EXHAUST PIPE (3ED/4ED)	1	21	83515-KZ3-700	RUBBER SIDE COVER	1
6	18371-KCR-000	BANC, MUFFLER.....	1	22	18332-NN4-G10	RUBBER.....	1
7	18391-HB7-000	PACKING MUFFLER.....	1	23	18338-NN4-L40	CAP COMP END	1
8	19052-MAC-680	COLLAR	2	24	18326-NN4-G10	RIVET., BLIND 4.0	5
9	90108-KGB-610	BOLT 6X8	2	25	83512-KA4-700	RUBBER.....	1
10	90115-MAS-E00	SPECIAL BOLT 6X37	1				
11	90106-NN4-J10	SCREW PAN 6X23	1				
12	94050-06000	NUT, FLANGE 6mm	4				
13	94101-06000	WASHER, PLAIN 6mm.....	2				

Block N.º
F-17
 Pedal
 Kick starter arm



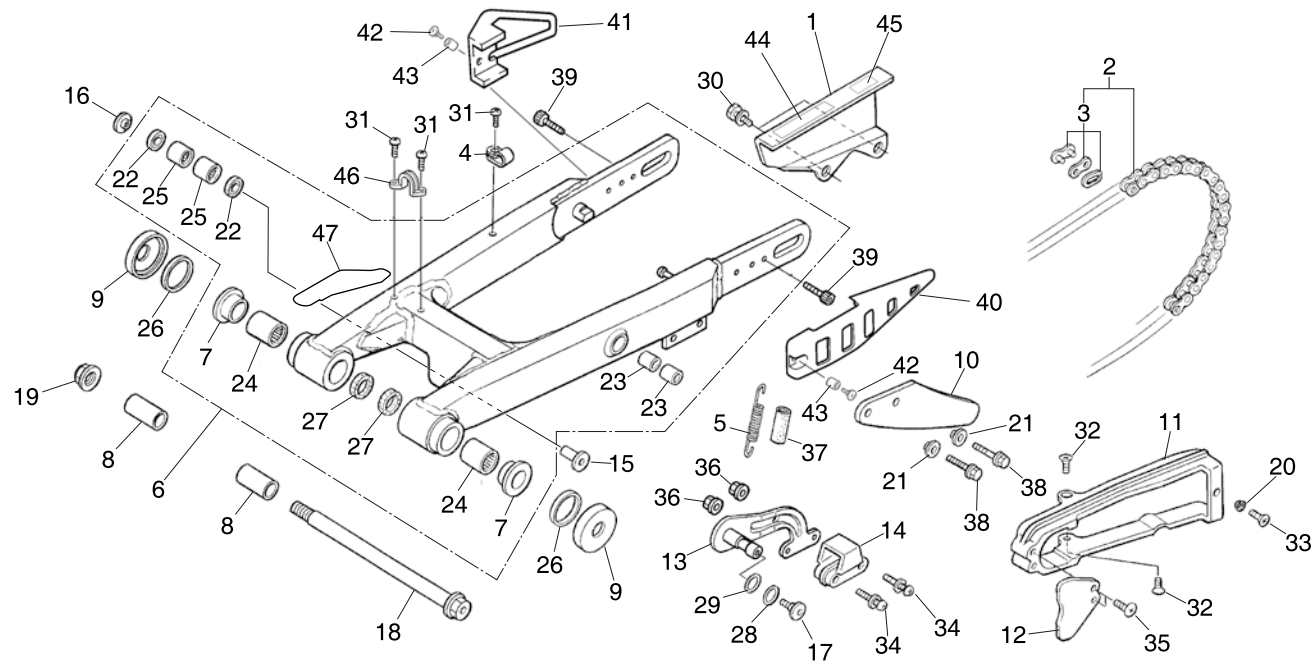
No.	Part Number	Description	Qty.	No.	Part Number	Description	Qty.
1	24700-NN4-K10	PEDAL COMP., CHANGE.....	1	17	96211-08000	STEEL BALL 8.....	1
2	28300-NN4-L60	ARM ASSY., KICKSTARTER	1	18	96700-08032-10	BOLT, SOCKET 8X32	1
3	28302-NN4-000	JOINT, KICK ARM	1				
4	28306-MEN-670	BOLT	1				
5	28333-KK0-000	SPRING, KICKSTARTER ARM SET	1				
6	46500-NN4-000	PEDAL ASSY., RR BRAKE	1				
7	46521-NN4-000	ROD, BRAKE.....	1				
8	46525-KK0-003	DUST SEAL 17X2.0X2.5	1				
9	46531-NN4-000	COLLAR A, RR BRAKE	1				
10	46532-NN4-000	COLLAR B, RR BRAKE.....	1				
11	90101-MAC-680	BOLT	1				
12	91001-GG2-003	BEARING, NEEDLE 12X18X12	1				
13	91201-951-003	OIL SEAL, 12X18X3	2				
14	94001-06000-0S	NUT, HEX 6mm	2				
15	96001-06022-00	BOLT, FLANGE SH 6X22.....	1				
16	96001-06025-00	BOLT, FLANGE SH 6X25.....	1				

Block N.º
F-18
 Stand
 Step



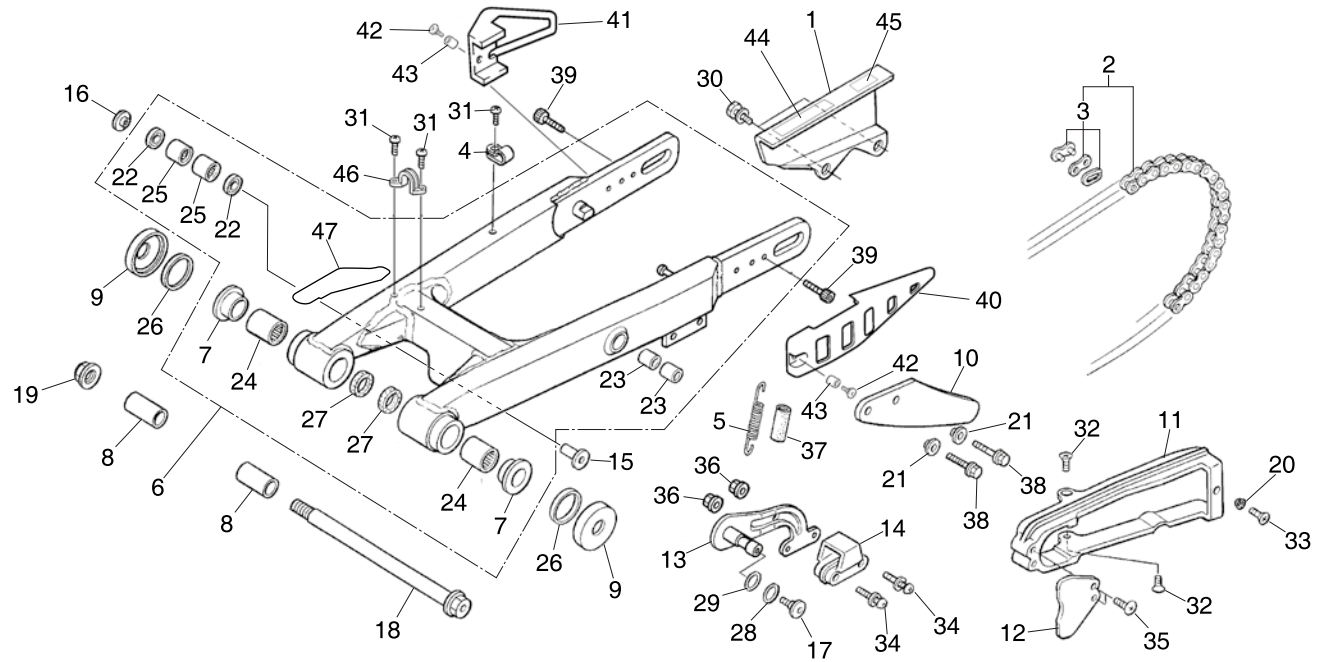
No.	Part Number	Description	Qty.	No.	Part Number	Description	Qty.
1	50530-NN4-D10	BAR COMP., SIDE STAND (BLACK)	1	16	90751-MAK-000	PIN, SPLIT 2X16.....	2
2	50541-MBL-610	EXTERNAL SPRING, SIDE STAND	1	17	90203-MF9-710	NUT, HEX 10mm	1
3	50536-NN4-D10	BRACKET (BLACK), SIDE STAND.....	1	18	94102-08000	WASHER, PLAIN 8mm.....	2
4	50600-NN4-L10	BRKT COMP., R. STEP (BLACK).....	1	19	96300-08025-00	BOLT, FLANGE DR 8X25.....	2
5	50603-MAK-000	PIN, P. STEP BAR	1	20	50542-MBL-610	INTERNAL SPRING, SIDE STAND	1
6	50602-NN4-J10	WASHER	1	21	35342-NN4-600	NUT, RR BRK SW (ED/2ED)	1
7	50616-NN4-J10	STEP RH (ED/3ED).....	1	22	35350-NN4-600	SWITCH ASSY., REAR BRAKE (ED/2ED).....	1
	50616-NN4-K20	STEP RH RACE REPLICA (2ED/4ED)	1				
8	50617-NN4-J10	SPRING RH., STEP RETURN	1				
9	50618-NN4-J10	SPRING LH., STEP RETURN.....	1				
10	50642-NN4-J10	STEP RH (ED/3ED).....	1				
	50642-NN4-K20	STEP LH RACE REPLICA (2ED/4ED).....	1				
11	50700-NN4-L10	BRACKET COMP., L. STEP (BLACK).....	1				
12	90108-283-000	BOLT	1				
13	90128-428-020	BOLT, SOCKET 8X33	4				
14	90309-KF0-003	NUT, FLANGE 8mm	4				
15	90572-KV3-300	RUBBER, SEPARATOR MOUNT.....	1				

Block N.º
F-19
Swingarm



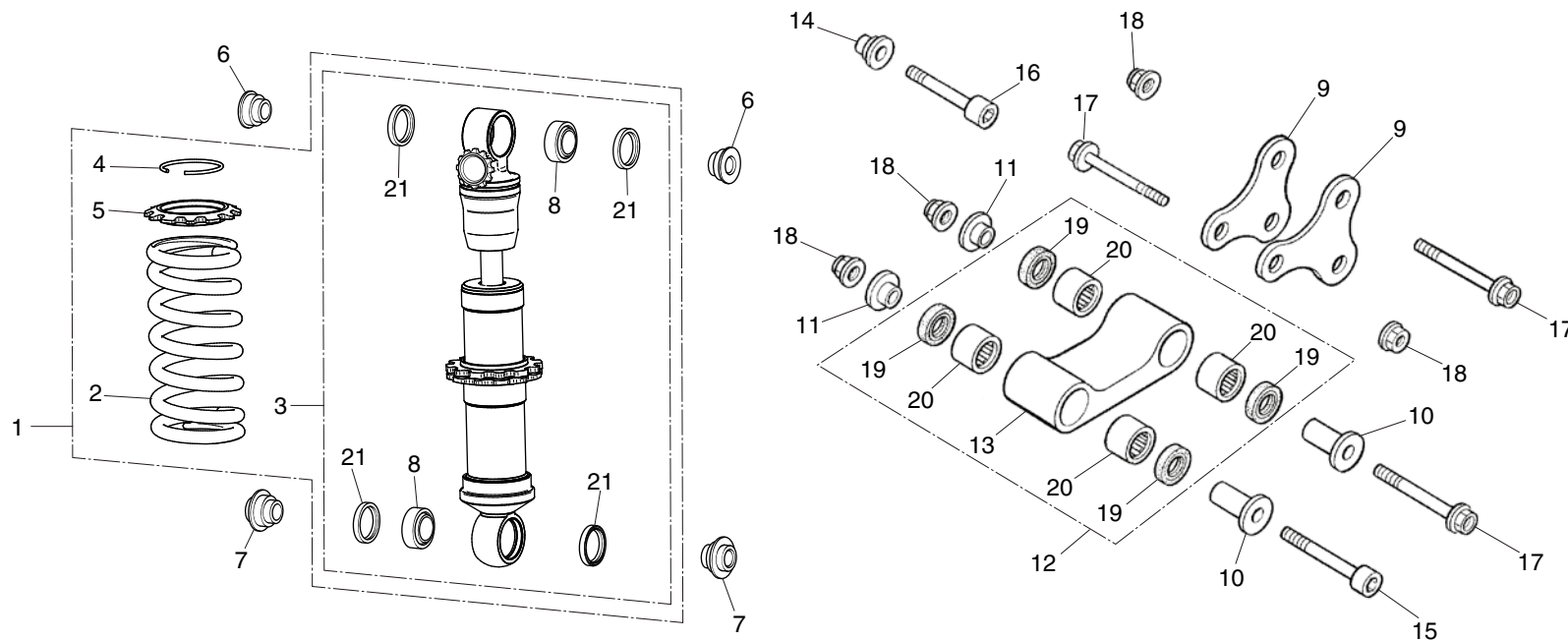
No.	Part Number	Description	Qty.	No.	Part Number	Description	Qty.
1	40510-NN3-000	CASE, DRIVE CHAIN	1	16	52464-NN3-010	COLLAR R., CUSH RINK	1
2	40530-NN2-000	CHAIN, DRIVE.....	1	17	90102-GM2-000	BOLT, CHAIN TENSOR	1
3	40531-NN2-000	JOINT, DRIVE CHAIN	1	18	90117-NN4-000	BOLT, SWINGARM PIVOT.....	1
4	90602-NN4-C10	CLIP, RR BRK HOSE (ED/2ED)	1	19	90201-GC4-000	NUT, FLANGE 14mm	1
	43468-NN2-700	CLIP, RR BRK HOSE (3ED/4ED)	1	20	90502-NN4-000	WASHER SPL	1
5	46514-KY2-700	SPRING, BRAKE PEDAL RETURN	1	21	90503-KRN-000	WASHER, FENDER SETTING	2
6	52100-NN4-J20	SWINGARM ASSY (BLACK)	1	22	91051-NN1-000	SEAL, BEARING 15X21X3	2
7	52109-KA4-701	BUSH, PIVOT THRUST	2	23	91052-NN0-000	BUSH, CHAIN TENSIONER	2
8	52141-NN2-000	COLLAR, RR FORK.....	2	24	91071-MA0-003	BEARING, PIVOT	2
9	52144-KA3-731	CAP, DUST SEAL	2	25	91071-NN1-000	BEARING, NEEDLE 15X21X12	2
10	52157-NN4-J10	PROTECTOR, SPRKT	1	26	91253-KA3-731	DUST SEAL 32X36.8X8	2
11	52170-NN4-000	SLIDER, CHAIN	1	27	91254-KS6-003	DUST SEAL 20X2.6X4.5	2
12	52171-NN3-000	COVER, SPRKT	1	28	91305-422-000	O-RING, 9.8X2.4	1
13	52181-NN4-000	TENSIONER COMP, CHAIN	1	29	91362-ZC3-000	O-RING, 13.8X2.4	1
14	52182-NN4-J10	SLIPPER, CHAIN TENS	1	30	93404-06014-00	BOLT-WASH, 6X14.....	2
15	52463-NN3-010	COLLAR L., CUSH RINK.....	1	31	90104-ML7-920	SCREW, PAN 5X8	3

Block N.º
F-19
Swingarm



No.	Part Number	Description	Qty.	No.	Part Number	Description	Qty.
32	93600-05012-0G	SCREW, FLAT 5X12	2				
33	93600-05016-0G	SCREW, FLAT 5X16	1				
34	90003-NN4-J10	SCREW 5X20	2				
35	93913-15280	SCREW, TAPPING 5X12	2				
36	94050-05000	NUT, FLANGE 5mm	2				
37	95003-43004-20	V.TUBE, 13X15X40.....	1				
38	96001-06012-00	BOLT, FLANGE SH 6X12.....	2				
39	96600-06010-10	BOLT, SOCKET 6X10	2				
40	40535-NN4-600	PROTECTOR, FINAL DRIVEN.....	1				
41	50535-NN4-600	PROTECTOR, REAR BRAKE	1				
42	90111-NN4-600	BOLT SOCKET 6x12	2				
43	90504-NN4-600	COLLAR	2				
44	87505-NN4-L10	LABEL, TIRE (ED/2ED).....	1				
45	87507-NN4-H10	LABEL, DRIVE CHAIN.....	1				
46	43468-KZ3-B00	CLIP, RR BRK HOSE.....	1				
47	52143-NN4-J10	TAPE SWINGARM RR.....	1				

Block N.º
F-20 (ED/3ED)
 Rear cushion (R16V)

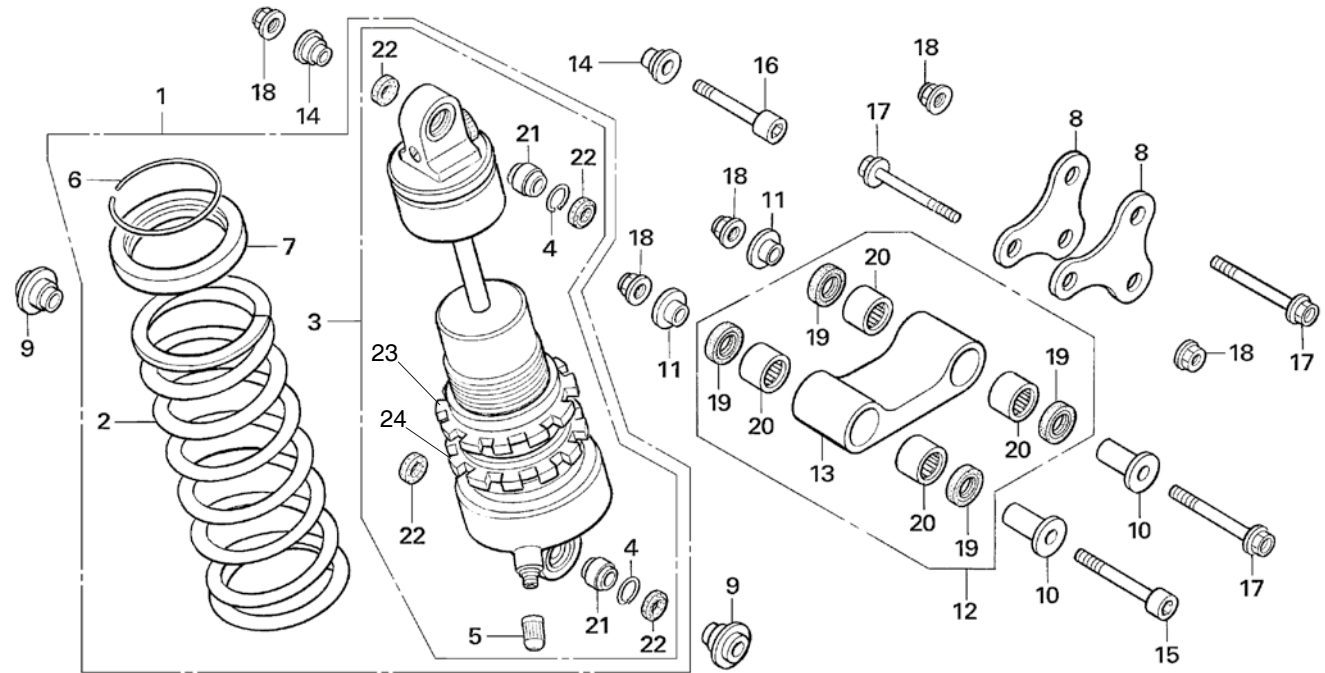


No.	Part Number	Description	Qty.	No.	Part Number	Description	Qty.
1	52400-NN4-K11	CUSHION ASSY RR.....	1	17	90182-NN3-000	BOLT, FLANGE 10X57.....	3
2	52401-NN4-J10	SPRING RR CUSHION.....	1	18	90304-GA6-003	NUT, AXLE.....	5
3	52410-NN4-K10	DAMPER COMP. RR.....	1	19	91051-NN1-000	SEAL, BEARING 15X21X3.....	4
4	52435-NN4-J10	RING, STOPPER.....	1	20	91071-NN1-000	BEARING, NEEDLE 15X21X12.....	4
5	52459-NN4-K10	SPRING NUT.....	1	21	91351-NN4-J10	DUST SEAL, CUSHION UPPER.....	4
6	52486-NN4-J10	UPPER COLLAR, CUSH ARM.....	2				
7	52462-NN4-J10	BOTTOM COLLAR, CUSH ARM.....	2				
8	91074-NN4-J10	BEARING, SPHERICAL.....	2				
9	52461-NN3-000	ARM, CUSH.....	2				
10	52463-NN3-010	COLLAR L., CUSH RINK.....	2				
11	52464-NN3-010	COLLAR R., CUSH RINK.....	2				
12	52470-NN3-000	ROD ASSY., CUSH CONN.....	1				
13	52471-NN3-000	ROD, CUSH CONN.....	1				
14	52486-NN3-000	COLLAR, CUSH UP.....	2				
15	90120-NN3-000	BOLT, SOCKET 10X57.....	1				
16	90121-NN4-000	BOLT, SOCKET 10X45.....	1				

Block N.º

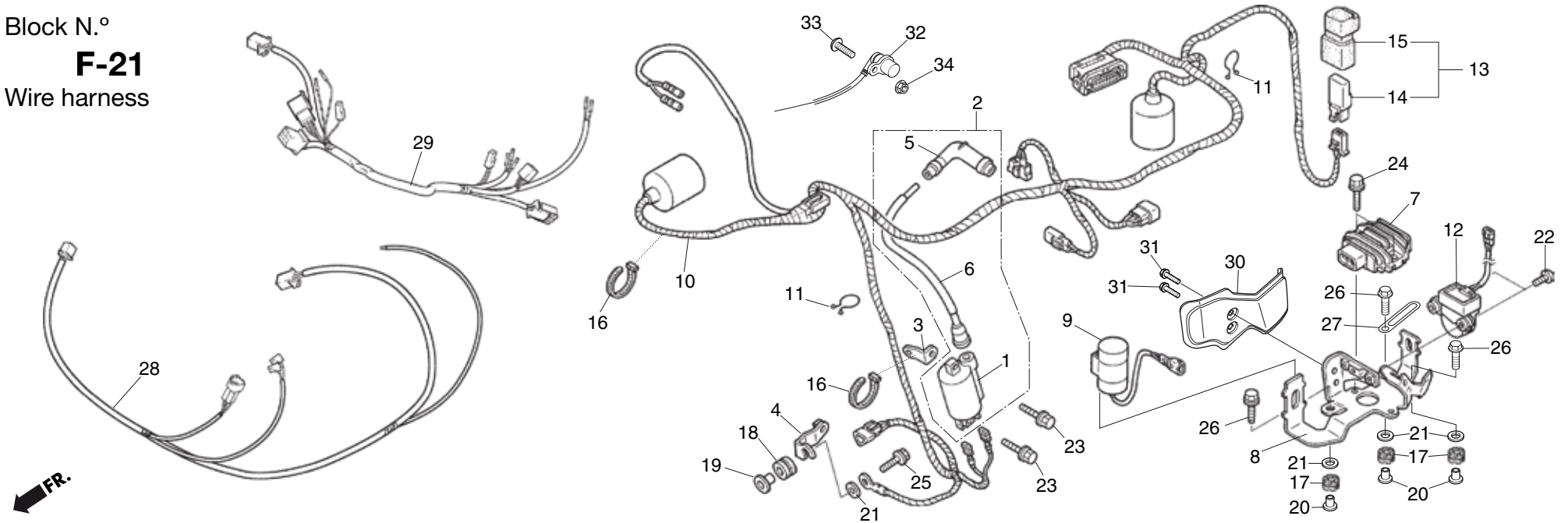
F-20 (2ED/4ED)

Rear cushion (Showa)



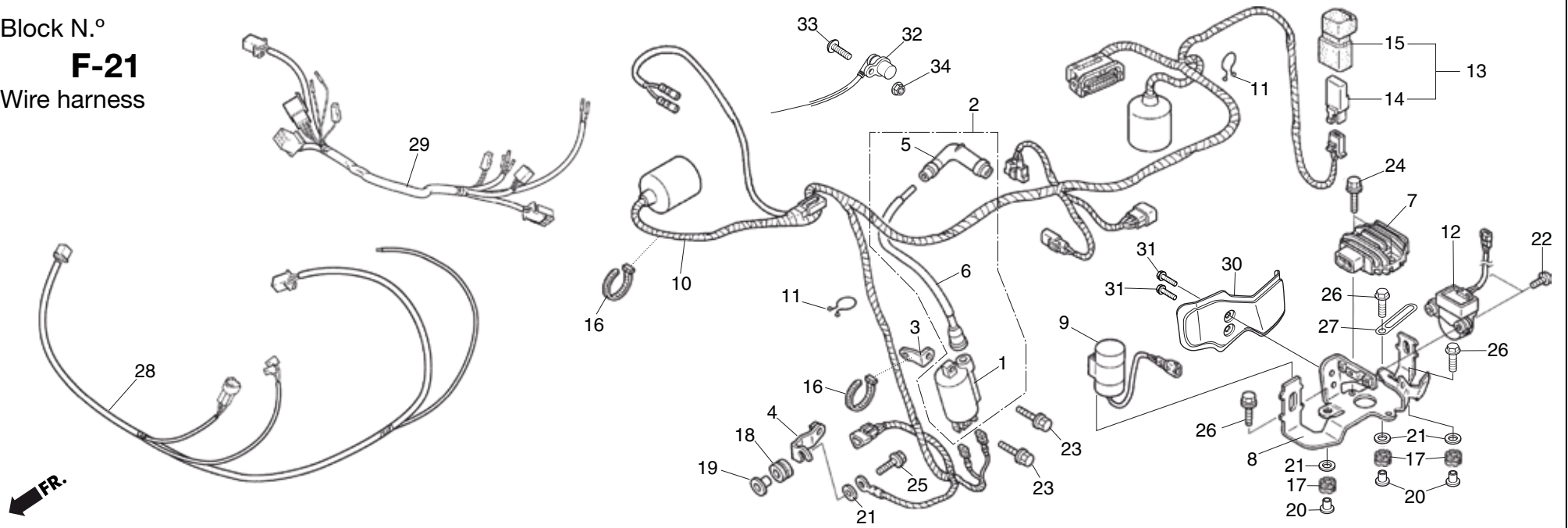
No.	Part Number	Description	Qty.	No.	Part Number	Description	Qty.
1	52400-NN4-G01	CUSHION ASSY., RR.....	1	17	90182-NN3-000	BOLT, FLANGE 10X57.....	3
2	52401-NN4-003	SPRING, REAR CUSH.....	1	18	90304-GA6-003	NUT, AXLE.....	5
3	52410-NN4-G01	DAMPER COMP., REAR.....	1	19	91051-NN1-000	SEAL, BEARING 15X21X3.....	4
4	52424-GC4-831	RING, STOPPER.....	2	20	91071-NN1-000	BEARING, NEEDLE 15X21X12.....	4
5	52425-169-003	CAP, AIR VALVE.....	1	21	91074-NN3-003	BEARING, SPHERICAL.....	2
6	52435-NN3-003	RING, STOPPER.....	1	22	91351-GS2-701	DUST SEAL, CUSHION UPPER.....	4
7	52459-NN3-003	SEAT, SPRING.....	1	23	52422-NX4-003	ADJUSTER, SPRING.....	1
8	52461-NN3-000	ARM, CUSH.....	2	24	52423-NX4-003	NUT, ADJUSTER.....	1
9	52462-NN3-000	COLLAR A, CUSH ARM.....	2				
10	52463-NN3-010	COLLAR LH., CUSH RINK.....	2				
11	52464-NN3-010	COLLAR RH., CUSH RINK.....	2				
12	52470-NN3-000	ROD ASSY., CUSH CONN.....	1				
13	52471-NN3-000	ROD, CUSH CONN.....	1				
14	52486-NN3-000	COLLAR, CUSH UP.....	2				
15	90120-NN3-000	BOLT, SOCKET 10X57.....	1				
16	90121-NN4-000	BOLT, SOCKET 10X45.....	1				

Block N.º
F-21
Wire harness



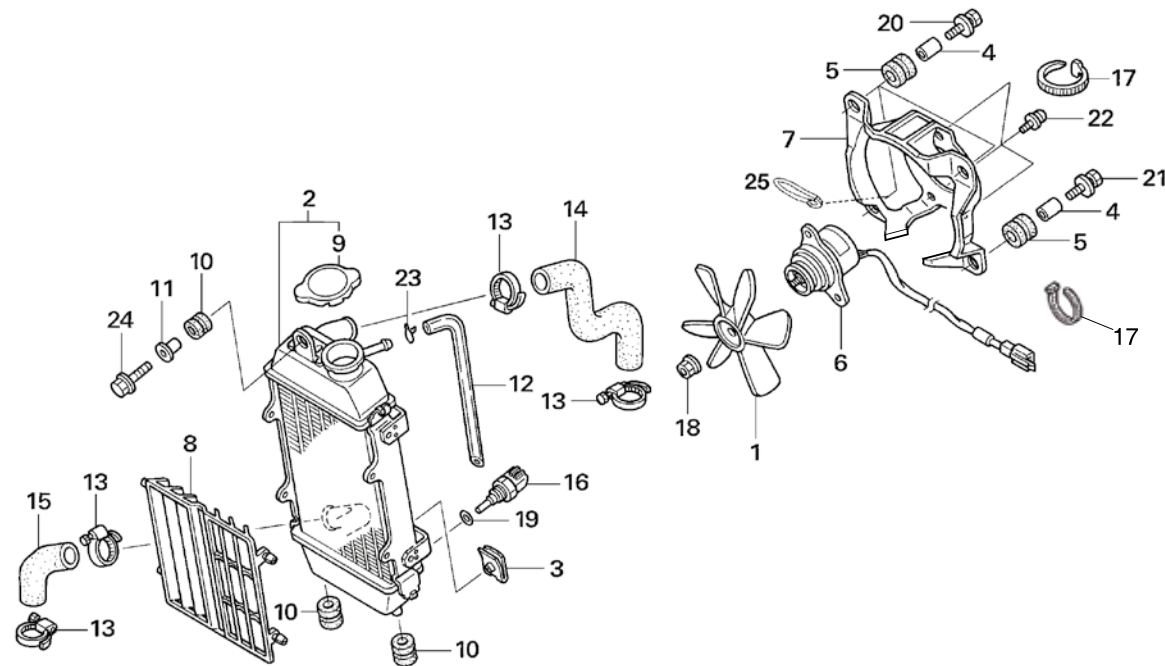
No.	Part Number	Description	Qty.	No.	Part Number	Description	Qty.
1	30500-ML7-013	COIL COMP., IGNITION	1	17	77208-KW7-900	RUBBER B, SEAT MOUNT	3
2	30510-NN4-000	COIL ASSY., IGNITION.....	1	18	80101-028-940	RUBBER, SPDMT. SETTING.....	1
3	30513-NN4-000	STAY UP, IGNITION COIL.....	1	19	30507-NN4-H00	COLLAR, COVER SET	1
4	30514-NN4-000	STAY LWR, IGNITION COIL	1	20	90501-425-000	COLLAR, 6.2X12	3
5	30700-KA2-013	CAP ASSY., NOISE (SUPPRESSOR)	1	21	90525-030-000	WASHER B, HANDLE HOLDER.....	4
6	30731-NN4-000	CORD ASSY., HIGH/T	1	22	92101-04022-0A	BOLT 4X22	2
7	31600-NN4-003	REGULATOR. RECTIFIER. ASSY.	1	23	96001-06018-00	BOLT, FLANGE SH 6X18.....	2
8	31605-NN4-G10	STAY, ELECTRIC	1	24	96001-06020-00	BOLT, FLANGE SH 6X20.....	2
9	31700-NN4-003	UNIT ASSY., CONDENSER.....	1	25	96001-06022-00	BOLT, FLANGE SH 6X22.....	1
10	32100-NN4-G10	HARNESS, WIRE	1	26	96001-06022-00	BOLT, FLANGE SH 6X22.....	3
11	32171-GF9-621	PURSE LOCK.....	2	27	91410-KT7-000	CLIP 4X60	1
12	35160-NN4-003	SENSOR ASSY., BANK ANGLE	1	28	32102-NN4-M10	SUBHARNESS FRAME (ED/2ED)	1
13	38500-GC7-612	RELAY ASSY., START	1	29	32101-NN4-J10	SUBHARNESS (H/L) (ED/2ED).....	1
14	38501-GN2-014	RELAY COMP., START (4P, NO)	1	30	31606-NN4-G10	STAY, ELECTRIC COVER	1
15	38506-GC7-611	SUSP., START RELAY	1	31	96001-0600800	BOLT 6x8 MM.	2
16	61312-NN2-900	TIE-BAND.....	2	32	44800-NN4-J10	SPEED SENSOR.....	1

Block N.º
F-21
 Wire harness



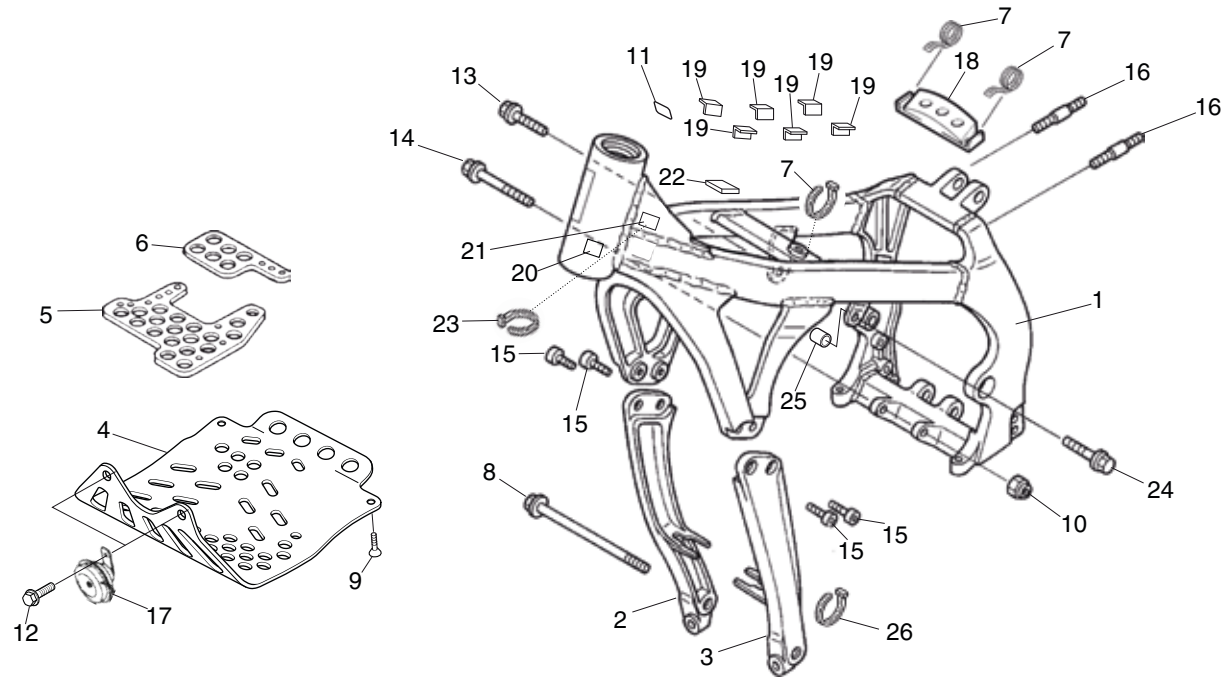
No.	Part Number	Description	Qty.	No.	Part Number	Description	Qty.
33	90116-NN4-J10	BOLT M6X16.....	1				
34	90202-NN4-J10	NUT.....	1				

Block N.º
F-22
 Radiator



No.	Part Number	Description	Qty.	No.	Part Number	Description	Qty.
1	19009-KT7-000	FAN COMP., COOLING	1	17	90602-NN4-600	TIE-BAND BLACK 150mm.....	2
2	19010-NN4-013	RADIATOR COMP.....	1	18	90308-KM3-003	NUT, TOOTHED 3mm	1
3	19014-KEA-003	SET, NUT.....	4	19	90454-MC7-000	WASHER, SPECIAL 12mm	1
4	19021-NN2-900	COLLAR, FAN SHROUD	4	20	93404-06018-07	BOLT-WASHER 6X18	3
5	19022-NN2-900	RUB, FAN SHROUD.....	4	21	93404-06020-07	BOLT-WASH, 6X20.....	1
6	19030-NN4-003	MOTOR, COOLING FAN	1	22	93891-04010-00	SCREW-WASH, 4X10	3
7	19031-NN4-L10	SHROUD, FAN	1	23	95002-02100	CLIP C10, TUBE	1
8	19033-NN4-000	GRILL, RADIATOR.....	1	24	96001-06028-00	BOLT, FLANGE SH 6X28.....	1
9	19037-MCA-G61	CAP COMP, RAD	1	25	90601-KJ9-000	CLIP	1
10	19051-KA3-830	RUBBER, RAD MOUNT	3				
11	19052-KA3-830	COLLAR, RAD MT.....	1				
12	19111-NN4-601	TUBE, RADIATOR DRAIN.....	1				
13	19504-KY1-003	CLAMP, WATER HOSE D25	4				
14	19531-NN4-000	HOSE UP, WATER	1				
15	19532-NN4-000	HOSE LOW, WATER.....	1				
16	37870-NN4-003	SENSOR ASSY., TW	1				

Block N.º
F-23
 Frame body

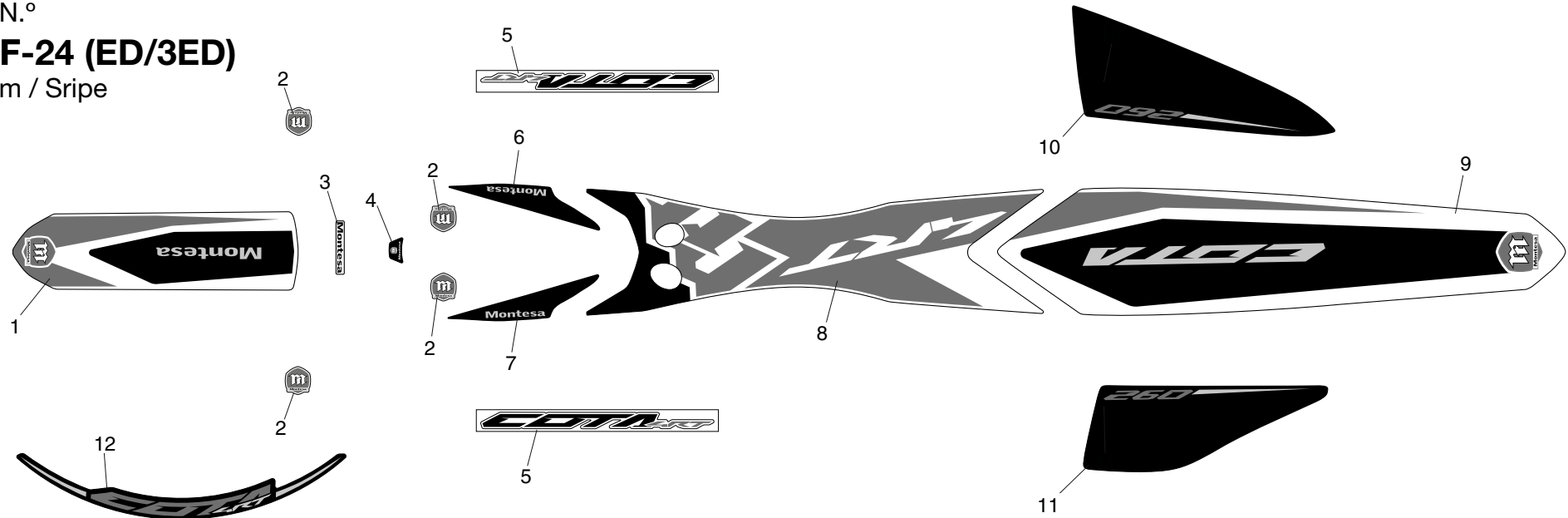


No.	Part Number	Description	Qty.	No.	Part Number	Description	Qty.
1	50100-NN4-J10	FRAME BODY COMP. (ED/3ED)	1	14	96400-10085-00	BOLT, FLANGE DR 10X85.....	1
	50100-NN4-J20	FRAME BODY COMP. (2ED/4ED)	1	15	90116-NN4-H00	SOCKET BOLT, 8X19	4
2	50310-NN4-H00	SILVER TUBE RH., DOWN (ED/3ED)	1	16	92900-06022-0B	STUD 2. 6X22	2
	50310-NN4-H10	BLACK TUBE RH., DOWN (2ED/4ED)	1	17	38110-NN4-C10	HORN (ED/2ED)	1
3	50320-NN4-H00	SILVER TUBE LH., DOWN (ED/3ED).....	1	18	80121-NN4-600	PROTECTOR RUBBER.....	1
	50320-NN4-H10	BLACK TUBE LH., DOWN (2ED/4ED).....	1	19	17506-NN4-000	RUBBER, FUEL TANK.....	6
4	50351-NN4-N10	PLATE, SKID	1	20	87501-NN4-G10	MARK CE STICKER	1
5	50352-NN4-000	RUBBER A, ENG CUSH.....	1	21	90604-NN4-H10	AUTOADHESIVE BASE.....	1
6	50353-NN4-000	RUBBER B, ENG CUSH	1	22	17513-NN3-300	FUEL TANK PROTECTOR.....	1
7	61312-NN2-900	TIE-BAND.....	3	23	90603-NN4-C10	TIE-BAND BLACK 95mm.....	1
8	90119-MJ0-000	BOLT, FLANGE 10X130.....	1	24	96300-08032-00	BOLT, FLANGE 8X32.....	1
9	90125-NN2-900	SCREW, FLANT 8X20	2	25	50343-NN3-000	COLLAR UP ENG HANGER.....	1
10	90304-GA6-003	NUT, AXLE.....	1	26	90602-NN4-600	TIE-BAND BLACK 150 MM.....	1
11	86150-NN4-K10	EMBLEM, PRODUCT.....	1				
12	93405-08020-00	BOLT-WASHER 8X20	2				
13	96300-08018-00	BOLT, FLANGE DR 8X18.....	1				

Block N.º

F-24 (ED/3ED)

Emblem / Stripe

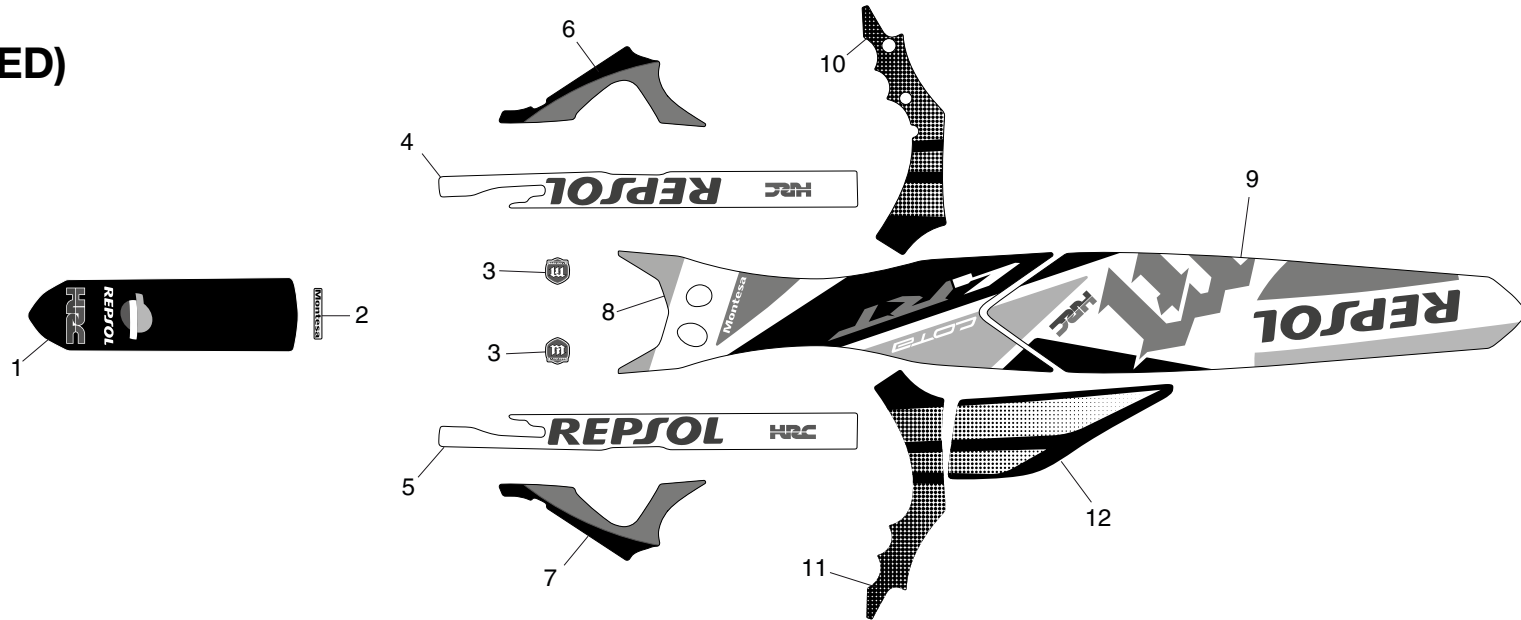


No.	Part Number	Description	Qty.	No.	Part Number	Description	Qty.
1	87131-NN4-N10	STRIPE FR FENDER	1				
2	87145-NN4-J10	EMBLEM "M/MONTESA"	4				
3	87143-NN4-J10ZB	EMBLEM "MONTESA"	1				
4	86150-NN4-K10	EMBLEM "M/MONTESA"	1				
5	87132-NN4-N10	STICKER "4RT"	1				
6	87155-NN4-N10	RH STICKER FUEL TANK	1				
7	87156-NN4-N10	LH STICKER FUEL TANK.....	1				
8	87134-NN4-N10	STRIPE FR, RR FENDER	1				
9	87136-NN4-N10	STRIPE RR, RR FENDER.....	1				
10	87153-NN4-N10	STRIPE 260 PROT.MUFFLER	1				
11	87154-NN4-N10	STRIPE 260 A/C CASE	1				
12	87144-NN4-N10	STRIPE PROTECTOR FR RIM	8				

Block N.º

F-24 (2ED/4ED)

Emblem / Stripe

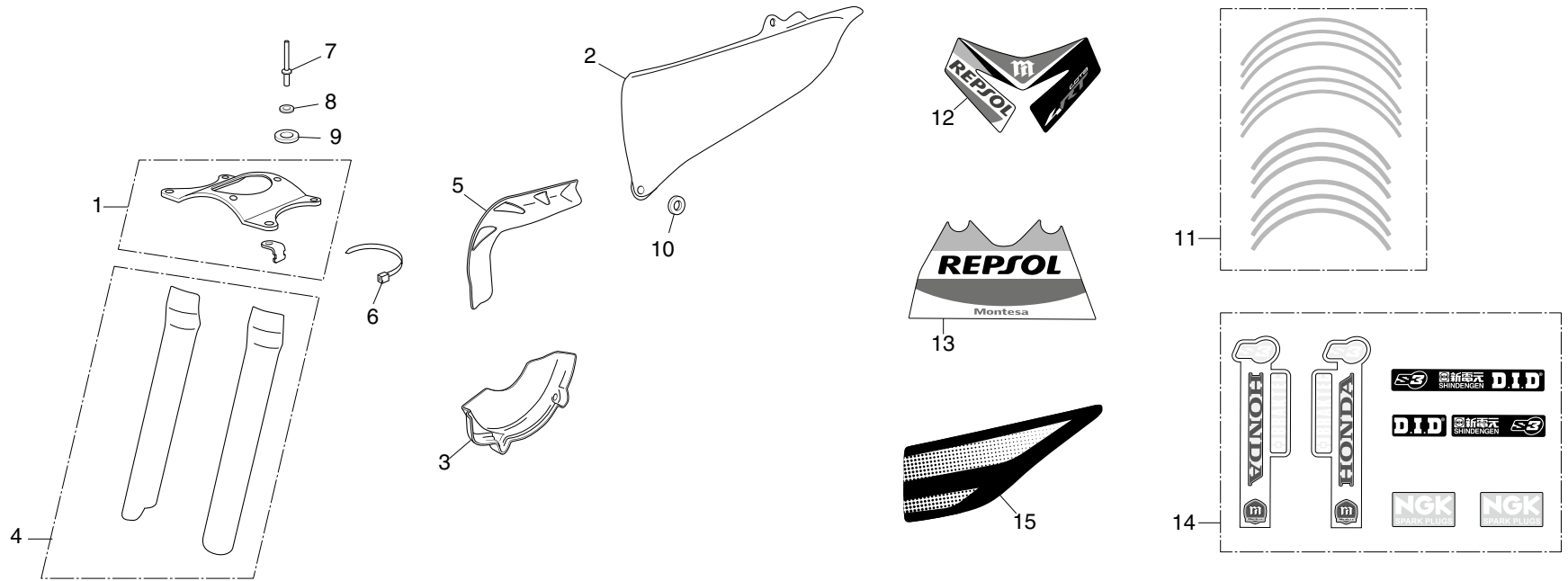


No.	Part Number	Description	Qty.	No.	Part Number	Description	Qty.
1	87131-NN4-M20	STRIPE FR FENDER	1				
2	87143-NN4-J10ZB	EMBLEM "MONTESA"	1				
3	87145-NN4-J10	EMBLEM "M/MONTESA"	2				
4	87132-NN4-M20	RH STRIPE "REPSOL"	1				
5	87133-NN4-M20	LH STRIPE "REPSOL"	1				
6	87146-NN4-M20	FRONT RH STRIPE FRAME.....	1				
7	87147-NN4-M20	FRONT LH STRIPE FRAME	1				
8	87134-NN4-M20	SEAT STRIPE RR FENDER	1				
9	87136-NN4-M20	STICKER REAR FENDER.....	1				
10	87151-NN4-M20	REAR RH STRIPE FRAME	1				
11	87152-NN4-M20	REAR LH STRIPE FRAME.....	1				
12	87154-NN4-M20	STRIPE 260 A/C CASE	1				

Block N.º

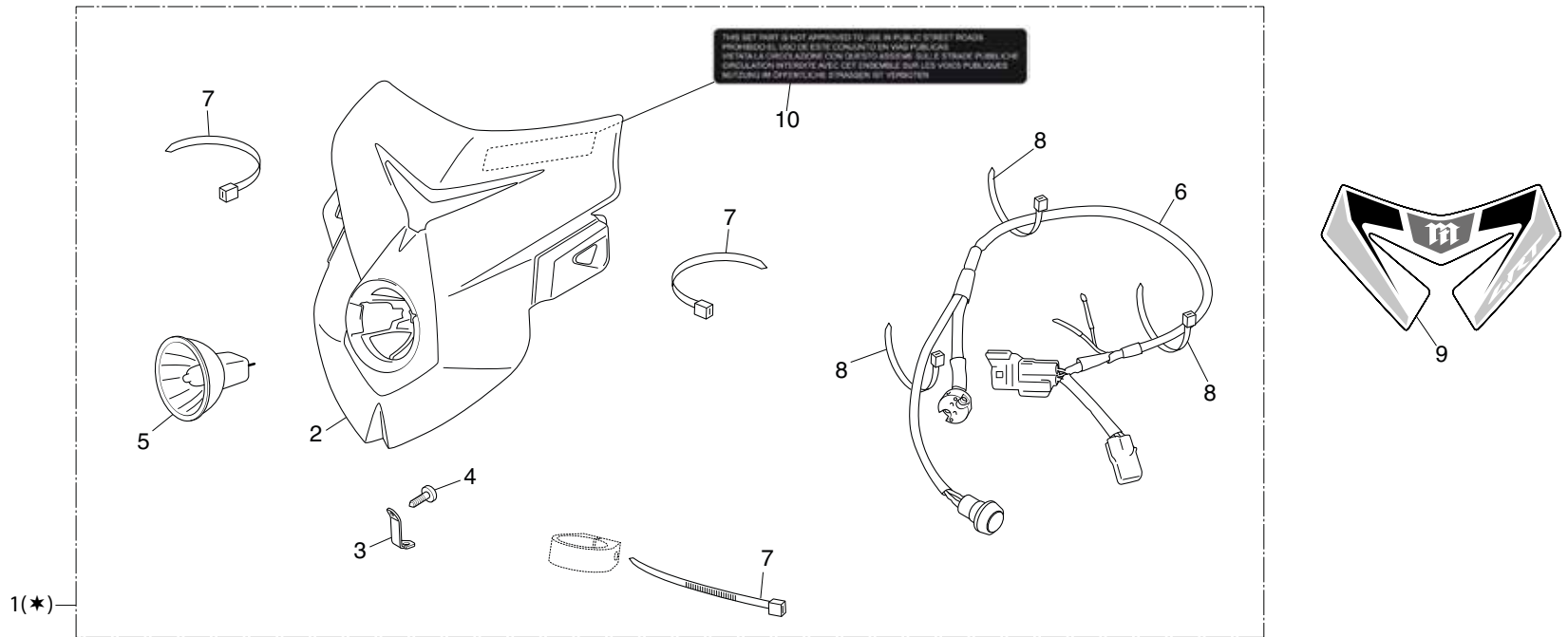
F-25

Optional parts
(Replica)



No.	Part Number	Description	Qty.	No.	Part Number	Description	Qty.
1	61110-REP-SOL	STAY FRONT FENDER + TUBE BRACKET	1				
2	18347-REP-SOL	MUFFLER PROTECTOR	1				
3	11330-REP-SOL	CLUTCH COVER PROTECTOR.....	1				
4	53211-REP-SOL	CARBON FRONT FORK PROTECTOR (SET)	1				
5	18328-REP-R00	EXHAUST PIPE PROTECTOR	1				
6	90602-NN4-600	TIE-BAND (150 mm).....	1				
7	90851-NN4-B00	RIVET 4,8 x 14 mm	4				
8	94101-05000	WASHER, PLAIN 5 mm.....	4				
9	61102-NN3-820	SPECIAL WASHER	4				
10	94102-08000	WASHER, MUFFLER PROTECTOR	1				
11	87150-REP-J00	RIMS STICKERS.....	1				
12	87143-REP-M20	HEADLIGHT STICKER	1				
13	87146-REP-K20	CRANKCASE PROTECTOR STICKER.....	1				
14	87175-NN4-N20	SPONSOR STICKER.....	1				
15	87155-REP-M20	MUFFLER PROTECTOR STICKER.....	1				

Block N.º
F-26
Optional parts



FR.

No.	Part Number	Description	Qty.	No.	Part Number	Description	Qty.
1	61300-REP-026	SET (COMPLETE).....	1				
2	61310-REP-J00	COVER	1				
3	61315-REP-J00	SUPPORT	1				
4	90112-NN4-N10	SCREW D3,9X10.....	1				
5	34901-REP-J00	BULB.....	1				
6	32101-REP-L30	HEADLIGHT WIRING WITH SWITCH	1				
7	61312-NN4-D10	TIE-BAND (200 mm).....	3				
8	90603-NN4-C10	TIE-BAND (95 mm).....	3				
9	87143-NN4-N10	STICKER STD	1				
10	----	ADVERTISEMENT STICKER.....	1				

(*) This set part is not approved to use in public street roads.

PART No. INDEX 2018

Part No.	Block	Ref.No.	Part No.	Block	Ref.No.	Part No.	Block	Ref.No.	Part No.	Block	Ref.No.
11000			14460-NN4-000	E-02	6	16711-MEN-A30	F-13 (ED/2ED)	9	17576-MEN -A30	F-13 (3ED/4ED)	24
11100-NN4-B00	E-11	1	14510-NN4-000	E-03	2	16711-MEN-A30	F-13 (3ED/4ED)	9	17621-NN4-000	F-13 (3ED/4ED)	10
11105-NN4-000	E-11	2	14515-KF0-000	E-03	3	16712-MEN -A30	F-13 (ED/2ED)	8	17621-NN4-M10	F-13 (ED/2ED)	10
11191-NN4-000	E-11	3	14520-KRN-671	E-03	4	16712-MEN -A30	F-13 (3ED/4ED)	8	17624-NN4-000	F-13 (3ED/4ED)	11
11200-NN4-G00	E-11	4	14560-MEN-671	E-03	5				17624-NN4-M10	F-13 (ED/2ED)	11
11206-NN4-000	E-11	5	14620-NN4-000	E-03	6	17000			17625-NF4-003	F-13 (ED/2ED)	3
11330-NN4-000	E-05	1	14711-NN4-000	E-02	7	17211-NN4-000	F-15	3	17625-NF4-003	F-13 (3ED/4ED)	3
11330-REP-SOL	F-25	3	14721-NN4-000	E-02	8	17212-NN4-000	F-15	4	17711-S0X-931	E-16	5
11340-NN4-010	E-09	1	14751-NN4-000	E-02	9	17213-NN4-000	F-15	5	17910-NN4-B01	F-01	1
11350-NN4-000	E-05	2	14752-NN4-000	E-02	10	17230-NN4-H00	F-15	6			
11352-NN4-003	E-05	3	14771-KW3-900	E-02	11	17231-NN4-300	F-15	7	18000		
11394-NN4-000	E-05	4	14776-NN4-000	E-02	12	17232-NN4-300	F-15	8	18291-NN4-000	F-16	1
11395-NN4-000	E-09	2	14781-ML0-720	E-02	13	17234-NN4-300	F-15	28	18310-NN4-G10	F-16	2
						17236-NN3-830	F-15	9	18310-NN4-L40	F-16	2
12000			15000			17253-NN4-000	F-15	10	18320-NN4-L80	F-16	4
12010-NN4-000	E-01	1	15111-NN4-000	E-07	1	17255-KRJ-900	F-15	11	18323-NN4-000	F-16	5
12100-NN4-D00	E-04	1	15133-NN4-000	E-07	2	17358-NN2-000	F-15	12	18323-NN4-M10	F-16	5
12191-NN4-003	E-04	2	15220-MEB-770	E-09	3	17500-NN4-L20	F-13 (3ED/4ED)	2	18326-NN4-G10	F-16	24
12203-KA5-690	E-01	2	15331-324-000	E-07	3	17500-NN4-M20	F-13 (ED/2ED)	2	18328-REP-R00	F-25	5
12209-ML0-722	E-02	1	15332-324-000	E-07	4	17500-NN4-N10	F-13 (ED/2ED)	2	18330-NN4-G10	F-16	4
12251-KRN-731	E-01	3	15412-MEN-671	E-11	6	17500-NN4-N30	F-13 (3ED/4ED)	2	18332-NN4-G10	F-16	22
12312-NN4-000	E-01	4	15412-NN4-000	E-11	7	17506-NN4-000	F-23	19	18338-NN4-L40	F-16	23
12351-NN4-000	E-01	5	15414-MEB-670	E-11	8	17509-NN4-000	F-13 (ED/2ED)	4	18347-REP-SOL	F-25	2
			15421-NN4-000	E-11	9	17509-NN4-000	F-13 (3ED/4ED)	4	18371-KCR-000	F-16	6
13000			15611-KA3-710	E-05	5	17513-NN3-300	F-23	22	18383-NN4-G10	F-16	20
13000-NN4-D00	E-12	1	15650-NN4-000	E-11	10	17519-NN4-L10	F-13 (ED/2ED)	15	18391-HB7-000	F-16	7
13011-NN4-D00	E-12	2	15707-634-000	F-15	1	17519-NN4-L10	F-13 (3ED/4ED)	15	18601-MBW-003	E-11	11
13101-NN4-D00	E-12	3				17521-NN4-G00	F-13 (3ED/4ED)	21			
13111-KRN-850	E-12	4	16000			17521-NN4-M10	F-13 (ED/2ED)	21	19000		
13115-147-000	E-06	1	16016-NN4-003	E-16	6	17522-NN4-M10	F-13 (ED/2ED)	27	19009-KT7-000	F-22	1
13115-KM7-700	E-12	5	16180-ML6-671	F-13 (ED/2ED)	28	17523-NN4-G00	F-13 (ED/2ED)	6	19010-NN4-013	F-22	2
13331-357-000	E-12	6	16211-NN4-000	E-01	6	17523-NN4-G00	F-13 (3ED/4ED)	6	19014-KEA-003	F-22	3
13617-NN4-000	E-12	7	16213-NN4-J10	E-01	27	17524-NN4-M10	F-13 (ED/2ED)	26	19021-NN2-900	F-22	4
			16215-NN4-000	E-01	7	17551-NN4-000	F-15	14	19022-NN2-900	F-22	5
14000			16216-MCZ-000	E-01	8	17552-NN4-000	F-15	15	19030-NN4-003	F-22	6
14100-NN4-D00	E-02	2	16400-NN4-L31	E-16	1	17553-NN4-000	F-15	16	19031-NN4-L10	F-22	7
14401-NN4-003	E-03	1	16400-NN4-M11	E-16	1	17554-NN4-000	F-15	17	19033-NN4-000	F-22	8
14430-NN4-000	E-02	3	16420-NN4-L10	E-16	2	17575-MEN -A30	F-13 (ED/2ED)	23	19037-MCA-G61	F-22	9
14440-NN4-000	E-02	4	16700-NX7-003	F-13 (ED/2ED)	1	17575-MEN -A30	F-13 (3ED/4ED)	23	19051-KA3-830	F-22	10
14450-NN4-000	E-02	5	16700-NX7-003	F-13 (3ED/4ED)	1	17576-MEN -A30	F-13 (ED/2ED)	24	19052-KA3-830	F-22	11

PART No. INDEX 2018

Part No.	Block	Ref.No.	Part No.	Block	Ref.No.	Part No.	Block	Ref.No.	Part No.	Block	Ref.No.
19052-MAC-680	F-16	8	23441-NN4-000	E-13	9	28251-NN4-000	E-15	5	33600-NN4-J10	F-14	7
19111-NN4-601	F-22	12	23451-NN4-000	E-13	10	28261-KA3-710	E-15	6	33650-NN4-J10	F-14	8
19114-NN4-600	F-13 (ED/2ED)	18	23452-NN4-000	E-13	11	28262-NN4-010	E-15	7	33700-NN4-J10	F-14	9
19114-NN4-600	F-13 (3ED/4ED)	18	23461-NN4-000	E-13	12	28263-NN4-000	E-15	8	33741-KEB-621	F-14	24
19215-GC4-731	E-08	1	23462-NN4-000	E-13	13	28282-NN4-000	E-15	9	33741-NN4-M11	F-06	10
19221-NN4-000	E-08	2	23471-NN4-000	E-13	14	28300-NN4-L60	F-17	2	33742-NN4-M10	F-06	11
19229-NN4-000	E-08	3	23481-NN4-000	E-13	15	28302-NN4-000	F-17	3	33743-NN4-M10	F-06	12
19240-NN4-010	E-08	4	23491-NN4-000	E-13	16	28306-MEN-670	F-17	4			
19504-KY1-003	F-22	13	23801-NN4-000	E-13	17	28333-KK0-000	F-17	5	34000		
19531-NN4-000	F-22	14	23811-NN4-N10	E-09	19				34901-NN2-900	F-04 (ED/2ED)	12
19532-NN4-000	F-22	15				30000			34901-REP-J00	F-26	5
22000			24000			30500-ML7-013	F-21	1			
22100-NN4-000	E-06	2	24211-KRN-730	E-14	1	30507-NN4-H00	F-21	19	35000		
22121-NN4-000	E-06	3	24221-KRN-730	E-14	2	30510-NN4-000	F-21	2	35130-NN4-M10	F-01	2
22201-KY2-000	E-06	4	24231-NN4-000	E-14	3	30513-NN4-000	F-21	3	35150-NN4-L10	F-01	18
22201-NN4-B00	E-06	5	24241-MEN-670	E-14	4	30514-NN4-000	F-21	4	35150-NN4-L10	F-21	27
22321-MG3-000	E-06	6	24242-MEN-670	E-14	5	30700-KA2-013	F-21	5	35160-NN4-003	F-21	12
22351-NN4-000	E-06	7	24311-NN4-000	E-14	6	30731-NN4-000	F-21	6	35342-NN4-600	F-18	21
22352-NN4-000	E-06	8	24312-KA3-741	E-14	7				35343-NN4-N10	F-02	10
22361-NN4-000	E-06	9	24315-HA0-000	E-14	8	31000			35344-NN4-N30	F-02	14
22402-NN4-000	E-06	10	24321-KZ4-620	E-14	9	31110-NN4-003	E-10	1	35350-NN4-600	F-02	8
22863-NN3-000	E-05	6	24322-MM4-000	E-14	10	31120-NN4-B01	E-10	2	35350-NN4-600	F-18	22
22864-NN3-000	E-05	7	24324-KA3-711	E-14	11	31121-NN4-000	E-10	3	35351-NN4-600	F-02	9
22880-NN4-N10	F-03	1	24325-KA3-711	E-14	12	31600-NN4-003	F-21	7	35400-NN4-D00	F-01	17
22882-NN4-L60	F-02	5	24326-KBH-901	E-14	13	31605-NN4-G10	F-21	8			
22882-NN4-L60	F-03	5	24328-NN4-000	E-14	14	31606-NN4-G10	F-21	30	36000		
22883-NN4-J10	F-03	2	24329-KA3-740	E-14	15	31700-NN4-003	F-21	9	36532-GFC-771	F-16	19
22900-NN4-J11	F-03	10	24430-NN4-000	E-14	16				37000		
23000			24435-KA3-710	E-14	17	32000			37200-NN4-M10	F-04 (ED/2ED)	14
23121-NN4-000	E-12	8	24610-NN4-000	E-14	18	32100-NN4-G10	F-21	10	37715-NN4-J10	F-10	4
23211-NN4-000	E-13	1	24651-MEB-670	E-14	19	32101-NN4-J10	F-21	29	37870-NN4-003	F-22	16
23221-NN4-000	E-13	2	24652-HA0-000	E-14	20	32101-REP-L30	F-26	6			
23225-KS6-000	E-13	3	24700-NN4-K10	F-17	1	32102-NN4-M10	F-21	28			
23411-NN4-000	E-13	4	28000			32103-NN4-M10	F-21	19	38000		
23413-NN4-000	E-13	5	28210-NN4-000	E-15	1	32103-NN4-L10	F-13 (ED/2ED)	19	38110-NN4-C10	F-23	17
23421-NN4-000	E-13	6	28230-NN4-000	E-15	2	32103-NN4-L10	F-13 (3ED/4ED)	19	38300-NN4-G10	F-04 (ED/2ED)	11
23422-GB4-770	E-13	7	28237-KZ4-A10	E-06	11	32171-GF9-621	F-21	11	38500-GC7-612	F-04 (3ED/4ED)	14
23431-NN4-000	E-13	8	28241-KA3-710	E-15	3	33000			38500-GC7-612	F-04 (ED/2ED)	10
			28242-KA3-710	E-15	4	33100-NN4-C10	F-04 (ED/2ED)	13	38500-GC7-612	F-21	13
						33400-NN4-J10	F-04 (ED/2ED)	18	38501-GN2-014	F-21	14
						33450-NN4-J10	F-04 (ED/2ED)	19	38506-GC7-611	F-21	15

PART No. INDEX 2018

Part No.	Block	Ref.No.	Part No.	Block	Ref.No.	Part No.	Block	Ref.No.	Part No.	Block	Ref.No.
40000			43121-NN4-C00	F-12	16	45109-NN4-N20	F-08 (2ED/4ED)	5	50536-NN4-D10	F-18	3
40510-NN3-000	F-19	1	43310-NN4-J11	F-11	1	45120-NN3-305	F-08 (ED/3ED)	3	50541-MBL-610	F-18	2
40530-NN2-000	F-19	2	43330-NN4-J10	F-12	17	45120-NN3-N20	F-08 (2ED/4ED)	3	50542-MBL-610	F-18	20
40531-NN2-000	F-19	3	43352-568-003	E-05	8	45125-NN4-J11	F-02	13	50600-NN4-L10	F-18	4
40535-NN4-600	F-19	40	43353-461-771	E-05	9	45331-NN3-830	F-09 (2ED/4ED)	15	50602-NN4-J10	F-18	6
40544-NN4-C00	F-12	1	43468-KZ3-B00	F-19	46	45331-NN3-830	F-09 (ED/3ED)	15	50603-MAK-000	F-18	5
			43468-NN2-700	F-19	4	45332-NN4-C10ZA	F-09 (2ED/4ED)	16	50616-NN4-J10	F-18	7
41000			43500-NN4-K11	F-11	2	45332-NN4-J10	F-09 (ED/3ED)	16	50616-NN4-K20	F-18	7
41201-NN4-J30	F-12	2	43510-NN2-900	F-11	3	45351-NN4-000	F-09 (2ED/4ED)	17	50617-NN4-J10	F-18	8
			43511-NN4-000	F-11	4	45351-NN4-000	F-09 (ED/3ED)	17	50618-NN4-J10	F-18	9
			43520-NN4-K10	F-11	5	45352-NN4-000	F-09 (2ED/4ED)	18	50642-NN4-J10	F-18	10
						45352-NN4-000	F-09 (ED/3ED)	18	50642-NN4-K20	F-18	10
42000			44000			45468-NN2-000ZA	F-04 (ED/2ED)	23	50700-NN4-L10	F-18	11
42301-NN3-000	F-12	3	44301-NN3-000	F-09 (2ED/4ED)	2	45468-NN2-000ZB	F-04 (3ED/4ED)	2			
42311-NN4-H00	F-12	4	44301-NN4-J10	F-09 (ED/3ED)	1	45500-NN4-N10	F-02	1	51000		
42312-NN4-H00	F-12	5	44311-NN4-000	F-09 (2ED/4ED)	3	45530-NN4-J10	F-02	4	51400-NN4-G11	F-07 (2ED/4ED)	1
42515-NN4-J10	F-12	26	44602-NN4-J10	F-09 (ED/3ED)	4	45530-NN4-N10	F-03	4	51400-NN4-M10	F-07 (ED/3ED)	24
42602-NN4-H20	F-12	6	44602-NN4-J20	F-09 (2ED/4ED)	4	45540-NN4-J10	F-02	2	51410-NN4-003	F-07 (2ED/4ED)	2
42602-NN4-J10	F-12	6	44603-NN4-H01	F-09 (2ED/4ED)	5				51410-NN4-M11	F-07 (ED/3ED)	3
42603-NN4-H01	F-12	7	44603-NN4-J10	F-09 (ED/3ED)	5	46000			51412-NN4-003	F-07 (2ED/4ED)	3
42603-NN4-J10	F-12	7	44608-KZ4-J40	F-09 (2ED/4ED)	6	46500-NN4-000	F-17	6	51412-NN4-J11	F-07 (ED/3ED)	14
42604-NN4-H01	F-12	8	44608-NN4-J10	F-09 (ED/3ED)	6	46514-KY2-700	F-19	5	51414-NN4-G01	F-07 (2ED/4ED)	4
42604-NN4-J10	F-12	8	44620-NN4-J10	F-09 (2ED/4ED)	8	46521-NN4-000	F-17	7	51414-NN4-J11	F-07 (ED/3ED)	16
42605-NN4-H01	F-12	9	44620-NN4-J10	F-09 (ED/3ED)	8	46525-KK0-003	F-17	8	51415-NN4-G01	F-07 (2ED/4ED)	5
42605-NN4-J10	F-12	9	44650-NN4-J10	F-09 (ED/3ED)	2	46531-NN4-000	F-17	9	51415-NN4-J11	F-07 (ED/3ED)	15
42606-NN4-H01	F-12	25	44650-NN4-J20	F-09 (2ED/4ED)	7	46532-NN4-000	F-17	10	51420-NN4-003	F-07 (2ED/4ED)	6
42606-NN4-J10	F-12	25	44701-NN4-J10	F-09 (ED/3ED)	3				51420-NN4-M11	F-07 (ED/3ED)	17
42607-NN4-H00	F-12	10	44701-NN4-J20	F-09 (2ED/4ED)	9	50000			51421-NN3-821	F-07 (2ED/4ED)	7
42607-NN4-J10	F-12	10	44708-NN4-J10	F-09 (ED/3ED)	9	50100-NN4-J10	F-23	1	51421-NN4-J11	F-07 (ED/3ED)	20
42620-NN4-H00	F-12	12	44712-400-004	F-09 (ED/3ED)	12	50100-NN4-J20	F-23	1	51422-NN3-821	F-07 (2ED/4ED)	8
42650-NN4-J10	F-12	11	44715-MA0-770	F-09 (2ED/4ED)	13	50310-NN4-H00	F-23	2	51422-NN4-L10	F-07 (ED/3ED)	11
42650-NN4-J20	F-12	11	44715-NN4-J10	F-09 (ED/3ED)	13	50310-NN4-H10	F-23	2	51425-NN3-821	F-07 (2ED/4ED)	9
42701-NN4-J10	F-12	13	44800-NN4-J10	F-21	32	50320-NN4-H00	F-23	3	51425-NN4-J11	F-07 (ED/3ED)	13
42701-NN4-J20	F-12	13				50320-NN4-H10	F-23	3	51430-NN4-G01	F-07 (2ED/4ED)	10
42714-KA3-710	F-09 (2ED/4ED)	1	45000			50343-NN3-000	F-23	25	51430-NN4-J11	F-07 (ED/3ED)	21
42753-KBS-901	F-12	15	45100-NN4-N10	F-08 (ED/3ED)	1	50351-NN4-N10	F-23	4	51437-MN5-003	F-07 (2ED/4ED)	11
42753-NN4-J10	F-12	15	45100-NN4-N20	F-08 (2ED/4ED)	1	50352-NN4-000	F-23	5	51437-NN4-J11	F-07 (ED/3ED)	22
			45105-NN3-830	F-08 (ED/3ED)	2	50353-NN4-000	F-23	6	51441-NN4-G01	F-07 (2ED/4ED)	12
43000			45105-NN4-N20	F-08 (2ED/4ED)	2	50530-NN4-D10	F-18	1	51441-NN4-J11	F-07 (ED/3ED)	19
43100-NN4-N30	F-10	1	45108-NN4-N20	F-08 (2ED/4ED)	4	50535-NN4-600	F-19	41	51447-MK7-671	F-07 (2ED/4ED)	13
43105-NN3-830	F-10	2									
43120-NN3-305	F-10	3									

PART No. INDEX 2018

Part No.	Block	Ref.No.	Part No.	Block	Ref.No.	Part No.	Block	Ref.No.	Part No.	Block	Ref.No.
51447-NN4-J11	F-07 (ED/3ED)	12	52410-NN4-K10	F-20 (ED/3ED)	3	53160-NN4-000	F-01	5	61105-NN4-D00	F-06	5
51450-NN4-G01	F-07 (2ED/4ED)	14	52422-NX4-003	F-20 (2ED/4ED)	23	53161-NN3-000	F-01	6	61105-NN4-J10	F-06	5
51450-NN4-J11	F-07 (ED/3ED)	1	52423-NX4-003	F-20 (2ED/4ED)	24	53163-NN2-900	F-01	7	61110-REP-SOL	F-25	1
51458-NN3-821	F-07 (2ED/4ED)	15	52424-GC4-831	F-20 (2ED/4ED)	4	53164-KR8-000	F-01	8	61300-REP-026	F-26	1
51458-NN4-J11	F-07 (ED/3ED)	23	52425-169-003	F-20 (2ED/4ED)	5	53165-KR8-000	F-01	9	61301-NN3-000	F-04 (3ED/4ED)	1
51500-NN4-G11	F-07 (2ED/4ED)	16	52435-NN3-003	F-20 (2ED/4ED)	6	53165-NN4-J10	F-01	9	61310-NN4-C10ZB	F-04 (ED/2ED)	33
51500-NN4-M10	F-07 (ED/3ED)	25	52435-NN4-J10	F-20 (ED/3ED)	4	53166-KR8-000	F-01	10	61310-REP-J00	F-26	2
51501-NN4-003	F-07 (2ED/4ED)	17	52459-NN3-003	F-20 (2ED/4ED)	7	53166-NN4-J10	F-01	10	61312-NN2-900	F-04 (3ED/4ED)	3
51501-NN4-K11	F-07 (ED/3ED)	6	52459-NN4-K10	F-20 (ED/3ED)	5	53167-NN2-900	F-01	11	61312-NN2-900	F-21	16
51502-NN3-821	F-07 (2ED/4ED)	18	52461-NN3-000	F-20 (2ED/4ED)	8	53168-NN2-900	F-01	12	61312-NN2-900	F-23	7
51502-NN4-K11	F-07 (ED/3ED)	5	52461-NN3-000	F-20 (ED/3ED)	9	53169-NN2-900	F-01	13	61312-NN4-D10	F-26	7
51510-NN4-003	F-07 (2ED/4ED)	19	52462-NN3-000	F-20 (2ED/4ED)	9	53170-NN4-K20	F-02	3	61313-NN4-C10	F-04 (ED/2ED)	31
51510-NN4-M11	F-07 (ED/3ED)	4	52462-NN4-J10	F-20 (ED/3ED)	7	53172-NN4-J30	F-03	12	61314-NN4-C10	F-04 (ED/2ED)	17
51520-NN3-821	F-07 (2ED/4ED)	20	52463-NN3-010	F-19	15	53173-NN4-J30	F-03	13	61315-NN4-C10	F-05	8
51520-NN4-M11	F-07 (ED/3ED)	9	52463-NN3-010	F-20 (2ED/4ED)	10	53180-NN4-J10	F-03	3	61315-REP-J00	F-26	3
51530-NN4-003	F-07 (2ED/4ED)	21	52463-NN3-010	F-20 (ED/3ED)	10	53200-NN4-K10	F-05	1	61319-NN4-M10	F-04 (ED/2ED)	15
51530-NN4-J11	F-07 (ED/3ED)	7	52464-NN3-010	F-19	16	53211-REP-SOL	F-25	4	61320-NN4-C10ZA	F-04 (ED/2ED)	32
51531-NN3-821	F-07 (2ED/4ED)	22	52464-NN3-010	F-20 (2ED/4ED)	11	53214-KA4-701	F-05	3	61390-NN4-C10	F-04 (ED/2ED)	25
51531-NN4-J11	F-07 (ED/3ED)	8	52464-NN3-010	F-20 (ED/3ED)	11	53214-KCY-670	F-05	2	61391-NN4-C10	F-04 (ED/2ED)	24
51541-NN3-821	F-07 (2ED/4ED)	23	52470-NN3-000	F-20 (2ED/4ED)	12	53215-MEE-D00	F-04 (3ED/4ED)	10	62000		
51541-NN4-J11	F-07 (ED/3ED)	10	52470-NN3-000	F-20 (ED/3ED)	12	53215-MEE-D00	F-04 (ED/2ED)	6	62NN4NEMH	E-01	28
51550-NN4-G01	F-07 (2ED/4ED)	24	52471-NN3-000	F-20 (2ED/4ED)	13	53229-NN4-G00	F-05	4	63000		
51550-NN4-J11	F-07 (ED/3ED)	2	52471-NN3-000	F-20 (ED/3ED)	13	53230-NN4-K10	F-04 (3ED/4ED)	13	63NN4NFMH	E-01	28
			52486-NN3-000	F-20 (2ED/4ED)	14	53230-NN4-K10	F-04 (ED/2ED)	9			
52000			52486-NN3-000	F-20 (ED/3ED)	14	53600-NN4-J10	F-05	9	64000		
52100-NN4-J20	F-19	6	52486-NN4-J10	F-20 (ED/3ED)	6				64246-MEW-920	F-14	18
52109-KA4-701	F-19	7				55000			64615-KR1-860	F-04 (ED/2ED)	37
52141-NN2-000	F-19	8	53000			55102-166-000	F-15	18	64615-KR1-860	F-13 (ED/2ED)	13
52143-NN4-J10	F-19	47	53100-NN4-K10	F-04 (3ED/4ED)	11	61000			64615-KR1-860	F-13 (3ED/4ED)	13
52144-KA3-731	F-19	9	53100-NN4-K10	F-04 (ED/2ED)	7	61050-NN4-M20	F-06	4	64NN4NGMH	E-01	28
52157-NN4-J10	F-19	10	53100-NN4-K20	F-04 (3ED/4ED)	11	61050-NN4-N10	F-06	4			
52170-NN4-000	F-19	11	53100-NN4-K20	F-04 (ED/2ED)	7	61100-NN4-M20	F-06	1	65000		
52171-NN3-000	F-19	12	53121-NN4-J10	F-04 (3ED/4ED)	5	61100-NN4-N10	F-06	1	65NN4NSMH	E-01	28
52181-NN4-000	F-19	13	53121-NN4-J10	F-04 (ED/2ED)	1	61101-NN4-K10ZB	F-06	9			
52182-NN4-J10	F-19	14	53121-NN4-K20	F-04 (3ED/4ED)	5	61101-NN4-K10ZC	F-06	9	69000		
52400-NN4-G01	F-20 (2ED/4ED)	1	53121-NN4-K20	F-04 (ED/2ED)	1	61102-NN3-820	F-06	6	69NN4NIMH	E-01	28
52400-NN4-K11	F-20 (ED/3ED)	1	53131-NN4-J10	F-04 (3ED/4ED)	8	61102-NN3-820	F-25	9			
52401-NN4-003	F-20 (2ED/4ED)	2	53131-NN4-J10	F-04 (ED/2ED)	4	61104-357-000	F-13 (ED/2ED)	12	77000		
52401-NN4-J10	F-20 (ED/3ED)	2	53141-NN4-000	F-01	3	61104-357-000	F-13 (3ED/4ED)	12	77208-KW7-900	F-21	17
52410-NN4-G01	F-20 (2ED/4ED)	3	53142-NN3-000	F-01	4						

PART No. INDEX 2018

Part No.	Block	Ref.No.	Part No.	Block	Ref.No.	Part No.	Block	Ref.No.	Part No.	Block	Ref.No.
80000			87143-NN4-J10ZB	F-24 (2ED/4ED)	2	90004-GHB-660	E-06	12	90114-NN4-C10	F-05	7
80050-NN4-M20	F-14	1	87143-NN4-J10ZB	F-24 (ED/3ED)	3	90005-896-000	E-10	5	90115-MAS-E00	F-16	10
80050-NN4-N10	F-14	1	87143-NN4-N10	F-26	9	90005-NN4-J10	F-02	12	90115-NN4-000	F-14	3
80101-028-940	F-21	18	87143-REP-M20	F-25	12	90012-KK3-830	E-02	14	90115-NN4-000	F-13 (ED/2ED)	17
80101-NN4-J10ZB	F-14	1	87144-NN4-N10	F-24 (ED/3ED)	12	90013-NN4-000	E-12	9	90115-NN4-000	F-13 (3ED/4ED)	17
80102-NN4-300	F-14	21	87145-NN4-J10	F-24 (2ED/4ED)	3	90022-MG8-000	E-14	21	90116-383-721	F-07 (2ED/4ED)	25
80103-NN4-300	F-14	19	87145-NN4-J10	F-24 (ED/3ED)	2	90031-NN4-000	E-11	13	90116-MAS-E00	F-14	15
80104-NN4-300	F-14	20	87146-NN4-M20	F-24 (2ED/4ED)	6	90041-NN4-000	E-01	11	90116-NN4-H00	F-23	15
80105-NN4-300	F-14	5	87146-REP-K20	F-25	13	90071-MF5-000	E-11	14	90116-NN4-J10	F-21	33
80105-NN4-J10	F-14	10	87147-NN4-M20	F-24 (2ED/4ED)	7	90084-428-000	E-09	4	90116-NN4-M11	F-07 (ED/3ED)	18
80106-NN4-G30	F-14	10	87150-REP-J00	F-25	11	90085-MCS-000	E-15	12	90117-NN4-000	F-19	18
80106-NN4-J10	F-14	6	87151-NN4-M20	F-24 (2ED/4ED)	10	90088-MEB-670	E-03	9	90119-MJ0-000	F-23	8
80108-NN4-J10	F-14	4	87152-NN4-M20	F-24 (2ED/4ED)	11	90088-NN4-J10	F-02	7	90120-NN3-000	F-20 (2ED/4ED)	15
80110-NN3-000	F-15	19	87153-NN4-N10	F-24 (ED/3ED)	10	90088-NN4-J10	F-03	7	90120-NN3-000	F-20 (ED/3ED)	15
80111-NN4-G10	F-15	20	87154-NN4-M20	F-24 (2ED/4ED)	12	90089-KR0-000	E-01	9	90120-NN4-C10	F-04 (ED/2ED)	29
80112-NN4-D00	F-15	21	87154-NN4-N10	F-24 (ED/3ED)	11	90089-NN4-L60	F-02	6	90121-NN4-000	F-20 (2ED/4ED)	16
80113-NN4-G10	F-16	18	87155-NN4-N10	F-24 (ED/3ED)	6	90089-NN4-L60	F-03	6	90121-NN4-000	F-20 (ED/3ED)	16
80121-NN4-600	F-23	18	87155-REP-M20	F-25	15	90101-MAC-680	F-17	11	90121-NN4-C10	F-04 (ED/2ED)	22
80125-NN4-000	F-14	14	87156-NN4-N10	F-24 (ED/3ED)	7	90102-GM2-000	F-19	17	90124-KZ4-J40	F-04 (3ED/4ED)	7
			87175-NN4-N20	F-25	14	90104-ML7-920	F-19	31	90124-KZ4-J40	F-04 (ED/2ED)	3
83000			87501-NN4-G10	F-23	20	90105-NN4-D00	F-09 (2ED/4ED)	19	90125-KZ4-J40	F-12	19
83510-NN4-J10	F-16	3	87505-NN4-L10	F-19	44	90105-NN4-D00	F-09 (ED/3ED)	19	90125-NN2-900	F-23	9
83512-KA4-700	F-16	25	87507-NN4-H10	F-19	45	90105-NN4-D00	F-12	18	90128-428-020	F-18	13
83515-KZ3-700	F-16	21	87560-NN4-K40	F-15	27	90106-KJ6-740	F-13 (ED/2ED)	25	90129-NN4-C10	F-04 (ED/2ED)	16
83551-GE2-000	F-16	17	87560-NN4-L30	F-15	27	90106-KJ6-740	F-13 (3ED/4ED)	25	90132-NN2-900	F-12	20
			87586-MKF-D40	F-13 (ED/2ED)	20	90106-KRN-000	F-13 (ED/2ED)	16	90145-NN4-J10	F-03	8
86000			87586-MKF-D40	F-13 (3ED/4ED)	20	90106-KRN-000	F-13 (3ED/4ED)	16	90145-NN4-J10	F-11	6
86150-NN4-K10	F-23	11	87586-NN4-N10	F-13 (ED/2ED)	20	90106-KY2-701	F-14	2	90182-NN3-000	F-20 (2ED/4ED)	17
86150-NN4-K10	F-24 (ED/3ED)	4	87586-NN4-N10	F-13 (3ED/4ED)	20	90106-NN4-J10	F-16	11	90182-NN3-000	F-20 (ED/3ED)	17
						90107-NN3-000	F-01	14	90201-GC4-000	F-19	19
87000			88000			90107-NN4-J10	F-14	17	90201-NN3-000	E-06	13
87131-NN4-M20	F-24 (2ED/4ED)	1	88100-NN4-H11	F-04 (ED/2ED)	35	90107-NN4-J10	F-16	16	90201-NN4-000	E-10	6
87131-NN4-N10	F-24 (ED/3ED)	1				90108-283-000	F-18	12	90201-NN4-600	F-06	13
87132-NN4-M20	F-24 (2ED/4ED)	4	90000			90108-GK1-000	F-15	13	90201-NN4-600	F-14	11
87132-NN4-N10	F-24 (ED/3ED)	5	90001-NN4-000	E-10	4	90108-KGB-610	F-16	9	90202-NN4-J10	F-21	34
87133-NN4-M20	F-24 (2ED/4ED)	5	90002-NN4-000	E-01	10	90108-NN4-600	F-14	12	90203-MF9-710	F-18	17
87134-NN4-M20	F-24 (2ED/4ED)	8	90003-KRN-670	E-11	12	90111-NN4-600	F-19	42	90205-NN4-J10	F-14	25
87134-NN4-N10	F-24 (ED/3ED)	8	90003-NN4-J10	F-19	34	90112-413-000	E-13	18	90206-250-000	E-02	15
87136-NN4-M20	F-24 (2ED/4ED)	9	90004-GHB-600	E-03	7	90112-NN4-N10	F-26	4	90206-NN4-C10	F-04 (ED/2ED)	28
87136-NN4-N10	F-24 (ED/3ED)	9	90004-GHB-630	E-03	8	90113-NN4-J10	F-14	27	90206-NN4-C10	F-14	13

PART No. INDEX 2018

Part No.	Block	Ref.No.	Part No.	Block	Ref.No.	Part No.	Block	Ref.No.	Part No.	Block	Ref.No.
90232-MB6-680	E-01	12	90482-567-000	E-03	11	90658-NN4-J10	F-03	11	91202-NN4-003	E-09	9
90233-MM4-000	E-01	13	90501-425-000	F-21	20	90751-GK1-003	E-09	7	91203-KA4-771	E-11	31
90304-GA6-003	F-20 (2ED/4ED)	18	90501-444-000	E-15	11	90751-MAK-000	F-18	16	91204-HB3-004	E-11	32
90304-GA6-003	F-20 (ED/3ED)	18	90501-ML3-910	E-06	16	90851-NN4-300	F-14	22	91205-KA3-712	E-05	10
90304-GA6-003	F-23	10	90501-NN4-003	E-13	24	90851-NN4-B00	F-06	8	91211-KA3-761	E-08	10
90304-MEE-D00	F-04 (3ED/4ED)	9	90501-NN4-G00	F-13 (ED/2ED)	5	90851-NN4-B00	F-25	7	91253-KA3-731	F-19	26
90304-MEE-D00	F-04 (ED/2ED)	5	90501-NN4-G00	F-13 (3ED/4ED)	5	90901-NN4-D00	E-11	18	91254-KS6-003	F-19	27
90305-NN2-900	F-12	21	90502-NN4-000	F-19	20				91302-PA9-003	E-11	33
90308-KM3-003	F-22	18	90503-KRN-000	F-19	21	91000			91302-PNA-003	E-16	3
90309-KF0-003	F-18	14	90503-NN4-300	F-14	23	91001-147-003	E-06	18	91303-377-000	E-09	10
90309-ML3-791	F-12	22	90504-NN4-600	F-19	43	91001-GG2-003	F-17	12	91303-436-003	E-01	19
90401-KRN-670	E-01	14	90506-NN4-C10	F-04 (ED/2ED)	27	91001-KA3-711	E-11	19	91303-HA0-003	E-11	34
90401-NN4-000	F-12	23	90512-921-0100	F-16	14	91001-KA4-003	E-08	8	91305-422-000	F-19	28
90402-KY4-900	E-12	10	90512-NN4-L80	F-04 (ED/2ED)	36	91001-KRN-671	E-11	20	91305-PH7-003	E-05	11
90402-NN4-000	E-10	7	90525-030-000	F-21	21	91001-KZ4-J11	E-11	21	91311-MR7-003	F-07 (2ED/4ED)	27
90404-KW3-000	E-13	19	90525-NN4-C10	F-05	10	91002-NN4-003	E-11	22	91312-371-013	E-05	12
90432-KF0-000	E-06	14	90525-NN4-C10	F-14	16	91004-KRN-671	E-11	23	91312-NN3-003	E-05	13
90435-HB3-000	E-14	22	90526-NN4-C10	F-04 (ED/2ED)	21	91004-KY4-900	E-11	24	91316-MJ8-003	E-11	35
90441-KA4-700	E-11	15	90544-KS7-003	F-07 (2ED/4ED)	26	91006-HA0-003	E-11	25	91320-KE1-000	E-05	14
90441-KRN-670	E-11	16	90545-NN4-J10	F-03	9	91007-NN4-003	E-02	16	91320-KE1-000	E-08	11
90441-ME9-000	E-09	5	90545-NN4-J10	F-11	7	91008-NN4-003	E-09	8	91351-GS2-701	F-20 (2ED/4ED)	22
90441-ME9-000	E-11	17	90548-NN4-J10	F-02	11	91011-KS6-003	E-06	19	91351-KA3-711	E-13	27
90441-MR1-770	E-01	15	90572-KV3-300	F-18	15	91012-KA3-710	E-11	26	91351-NN4-J10	F-20 (ED/3ED)	21
90442-397-000	E-03	10	90601-360-000	E-13	25	91015-425-831	F-05	5	91362-ZC3-000	F-19	29
90446-357-000	E-13	20	90601-KJ9-000	F-22	25	91022-KA4-740	E-11	27	91370-461-000	E-02	17
90446-NN4-000	E-01	16	90602-360-000	E-13	26	91051-NN1-000	F-19	22	91410-KT7-000	E-09	18
90447-KE1-000	E-08	5	90602-NN4-600	F-04 (3ED/4ED)	6	91051-NN1-000	F-20 (2ED/4ED)	19	91410-KT7-000	F-21	35
90451-155-000	E-14	23	90602-NN4-600	F-04 (ED/2ED)	2	91051-NN1-000	F-20 (ED/3ED)	19			
90452-178-000	E-15	10	90602-NN4-600	F-06	2	91052-NN0-000	F-19	23	92000		
90452-323-000	E-01	17	90602-NN4-600	F-14	26	91071-MA0-003	F-19	24	92101-04022-0A	F-21	22
90452-KZ4-000	E-13	21	90602-NN4-600	F-15	2	91071-NN1-000	F-19	25	92900-06022-0B	F-23	16
90453-KZ4-000	E-13	22	90602-NN4-600	F-22	17	91071-NN1-000	F-20 (2ED/4ED)	20			
90454-GF9-000	E-09	6	90602-NN4-600	F-23	26	91071-NN1-000	F-20 (ED/3ED)	20	93000		
90454-MC7-000	F-22	19	90602-NN4-600	F-25	6	91071-NN1-000	F-20 (ED/3ED)	20	93301-06016-0A	E-14	24
90456-333-000	E-08	6	90602-NN4-C10	F-19	4	91074-NN3-003	F-20 (2ED/4ED)	21	93404-06014-00	F-19	30
90456-KS6-000	E-06	15	90603-NN4-C10	F-23	23	91074-NN4-J10	F-20 (ED/3ED)	8	93404-06018-07	F-22	20
90461-444-000	E-13	23	90603-NN4-C10	F-26	8	91201-148-003	E-08	9	93404-06020-07	F-22	21
90463-ML7-000	E-01	18	90604-NN4-H10	F-23	21	91201-951-003	F-17	13	93405-08020-00	F-23	12
90463-ML7-000	E-04	3	90608-072-000	E-06	17	91201-KS6-004	E-11	28	93500-04012-1A	F-01	15
90463-ML7-000	E-08	7	90651-NN4-N20	F-08 (2ED/4ED)	6	91201-MEB-671	E-11	29	93600-05012-0G	F-19	32
						91202-MEB-671	E-11	30			

PART No. INDEX 2018

Part No.	Block	Ref.No.	Part No.	Block	Ref.No.	Part No.	Block	Ref.No.	Part No.	Block	Ref.No.
93600-05016-0G	F-19	33	95002-02100	F-13 (ED/2ED)	22	96001-06060-00	E-08	14			
93600-06010-0H	E-11	36	95002-02100	F-13 (3ED/4ED)	22	96001-06070-00	E-11	43			
93891-04010-00	F-22	22	95002-02129	F-13 (ED/2ED)	7	96001-06075-00	E-11	44			
93913-14180	F-04 (3ED/4ED)	4	95002-02129	F-13 (3ED/4ED)	7	96001-06080-00	E-11	45			
93913-14180	F-04 (ED/2ED)	26	95002-NN4-J10	F-11	8	96001-06085-00	E-11	46			
93913-14180	F-15	22	95003-43004-20	F-19	37	96100-62013-00	E-02	18			
93913-15280	F-04 (ED/2ED)	30	95005-55035-20	F-13 (ED/2ED)	14	96150-60040-10	F-09 (2ED/4ED)	14			
93913-15280	F-19	35	95005-55035-20	F-13 (3ED/4ED)	14	96150-60040-10	F-09 (ED/3ED)	7			
			95005-55225-20	F-15	25	96150-60040-10	F-12	24			
94000			95701-06025-00	F-15	26	96211-08000	F-17	17			
94001-06000-0S	F-17	14				96220-30178	E-07	5			
94001-08000-0S	F-09 (2ED/4ED)	21	96000			96220-40080	E-14	26			
94050-05000	F-19	36	96001-0600800	F-21	31	96300-08018-00	F-23	13			
94050-06000	F-15	23	96001-06012-00	F-11	9	96300-08025-00	F-18	19			
94050-06000	F-16	12	96001-06012-00	F-19	38	96300-08028-00	F-16	15			
94050-10000	F-04 (ED/2ED)	34	96001-06014-00	E-11	40	96300-08032-00	F-09 (2ED/4ED)	20			
94101-05000	F-06	7	96001-06014-00	E-15	14	96300-08032-00	F-09 (ED/3ED)	20			
94101-05000	F-25	8	96001-06014-00	F-06	3	96300-08032-00	F-23	24			
94101-06000	F-16	13	96001-06018-00	F-21	23	96300-08035-00	E-09	17			
94102-08000	F-18	18	96001-06020-00	E-01	22	96300-08055-00	F-09 (ED/3ED)	14			
94102-08000	F-25	10	96001-06020-00	F-21	24	96300-08070-00	E-11	47			
94111-04000	F-01	16	96001-06022-00	E-01	23	96400-10085-00	F-23	14			
94111-08000	F-09 (2ED/4ED)	22	96001-06022-00	F-17	15	96600-06010-10	F-19	39			
94301-08100	E-09	11	96001-06022-00	F-21	25	96600-06022-00	F-11	10			
94301-08140	E-01	20	96001-06022-00	F-21	26	96600-08025-10	F-05	6			
94301-08140	E-05	15	96001-06025-00	E-08	12	96600-080-2810	F-04 (3ED/4ED)	12			
94301-08140	E-11	37	96001-06025-00	F-17	16	96600-080-2810	F-04 (ED/2ED)	8			
94301-12200	E-01	21	96001-06028-00	E-01	24	96700-06022-00	E-16	4			
94301-12200	E-04	4	96001-06028-00	E-04	5	96700-08032-10	F-17	18			
94510-14000	E-14	25	96001-06028-00	E-05	16						
94510-16000	E-15	13	96001-06028-00	E-09	14	98000					
94520-14000	E-09	12	96001-06028-00	F-22	24	98059-56916-00	E-01	26			
94520-19000	E-11	38	96001-06035-00	E-01	25						
94520-28000	E-09	13	96001-06035-00	E-05	17	C					
94591-27000	F-04 (ED/2ED)	20	96001-06035-00	E-09	15	C2NN4NCMH	E-01	28			
			96001-06045-00	E-11	41	C3NN4NCMH	E-01	28			
95000			96001-06050-00	E-08	13						
95002-02100	E-11	39	96001-06050-00	E-09	16	U					
95002-02100	F-15	24	96001-06055-00	E-05	18	U2NN4NUMH	E-01	28			
95002-02100	F-22	23	96001-06055-00	E-11	42						

