

2018



PGM-FI Racing Trial

Part List

MONTESA HONDA, S.A.U.

PART LIST

COTA 300RR 2018

MONTESA COTA 300RR

The following diagram shows the 2 different versions of the COTA 4RT model:

(2ED) Street version, COTA 300RR RACE REPLIC



(4ED) Racing version COTA 300RR.



All information in this publication is based on the latest product information available at the time of approval for printing.
MONTESA HONDA, S.A.U. reserves the right to make changes at any time without notice and without incurring any obligation.
No part of this publication may be reproduced without written permission.

**ILLUSTRATION MANAGEMENT NUMBER (IDENTIFICATION)
FOR '18 COTA 300RR PARTS LIST**

ENGINE GROUP	ILLUSTRATION NUMBER	FRAME GROUP	ILLUSTRATION NUMBER
Cylinder head	E-01	Cable / Switch	F-01
Camshaft / Valve	E-02	Front brake master cylinder	F-02
Camchain / Tensioner.....	E-03	Clutch master cylinder	F-03
Cylinder	E-04	Steering handle pipe / Top bridge / Head light	F-04 (2ED)
RH. Crankcase cover	E-05	Steering handle pipe / Top bridge /	F-04 (4ED)
Clutch	E-06	Steering stem	F-05
Oil pump	E-07	Front fender.....	F-06
Water pump.....	E-08	Front fork (Tech).....	F-07
LH. Crankcase cover.....	E-09	Front brake caliper	F-08
Generator	E-10	Front wheel.....	F-09
Crankcase	E-11	Rear brake caliper	F-10
Crankshaft / Piston.....	E-12	Rear brake master cylinder	F-11
Transmission.....	E-13	Rear wheel.....	F-12
Gearshift drum.....	E-14	Fuel tank / Fuel pump	F-13 (2ED)
Kick starter spindle.....	E-15	Rear fender.....	F-14
Throttle body / Injector	E-16	Air cleaner	F-15
		Exhaust muffler	F-16
		Pedal / Kick starter arm.....	F-17
		Stand / Step	F-18
		Swingarm	F-19
		Rear cushion (Showa).....	F-20
		Wire harness.....	F-21
		Radiator	F-22
		Frame body	F-23
		Emblem / Stripe.....	F-24
		Optional parts (Replica).....	F-25
		Optional parts.....	F-26

CONTENTS OF '18 COTA 300RR PARTS LIST

INSTRUCTIONS FOR USE OF PARTS LIST	5
--	---

ENGINE GROUP

E-01	Cylinder head.....	6
E-02	Camshaft / Valve.....	7
E-03	Camchain / Tensioner	8
E-04	Cylinder.....	9
E-05	RH. Crankcase cover.....	10
E-06	Clutch	11
E-07	Oil pump	12
E-08	Water pump	13
E-09	LH. Crankcase cover	14
E-10	Generator.....	15
E-11	Crankcase.....	16
E-11	Crankcase.....	17
E-12	Crankshaft / Piston.....	18
E-13	Transmission.....	19
E-14	Gearshift drum.....	20
E-15	Kick starter spindle.....	21
E-16	Throttle body / Injector	22

FRAME GROUP

F-01	Cable / Switch	23
F-02	Front brake master cylinder.....	24
F-03	Clutch master cylinder.....	25
F-04	(2ED) Steering handle pipe / Top bridge / Head light	26
F-04	(4ED) Steering handle pipe / Top bridge.....	28
F-05	Steering stem	29
F-06	Front fender	30
F-07	Front fork (Tech).....	31
F-08	Front brake caliper.....	32
F-09	Front wheel.....	33
F-10	Rear brake caliper	34
F-11	Rear brake master cylinder.....	35
F-12	Rear wheel.....	36
F-13	(2ED) Fuel tank / Fuel pump	37
F-13	(4ED) Fuel tank / Fuel pump	38
F-14	Rear fender	39
F-15	Air cleaner.....	40
F-16	Exhaust muffler.....	41
F-17	Pedal / Kick starter arm	42
F-18	Stand / Step.....	43
F-19	Swingarm.....	44
F-20	Rear cushion (Showa).....	46
F-21	Wire harness.....	47
F-22	Radiator	49
F-23	Frame body	50
F-24	Emblem / Stripe.....	51
F-25	Optional parts (Replica)	52
F-26	Optional parts	53

INSTRUCTIONS FOR USE OF PARTS LIST

This parts list is to be used when ordering replacement parts. It contains all parts for model '18 - COTA 300RR.

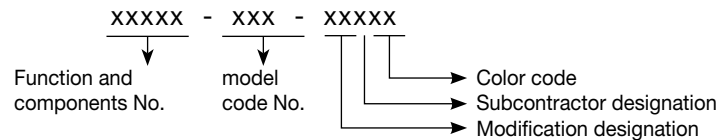
1) HOW TO ORDER PARTS

- * Replacement parts orders must contain both the part number and the stamped number(s) as described below. This is because any changes and modifications of parts are registered at HONDA with the pertinent parts and stamped numbers.
- * If "N" is indicated in the quantity column, it indicates that the parts are to be used as required.

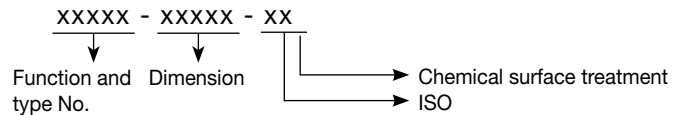
2) HOW TO READ THIS PARTS LIST

- Make-up of the number

* General parts (Example)



* Bolts, nuts and other standard parts (Example)



* Abbreviations

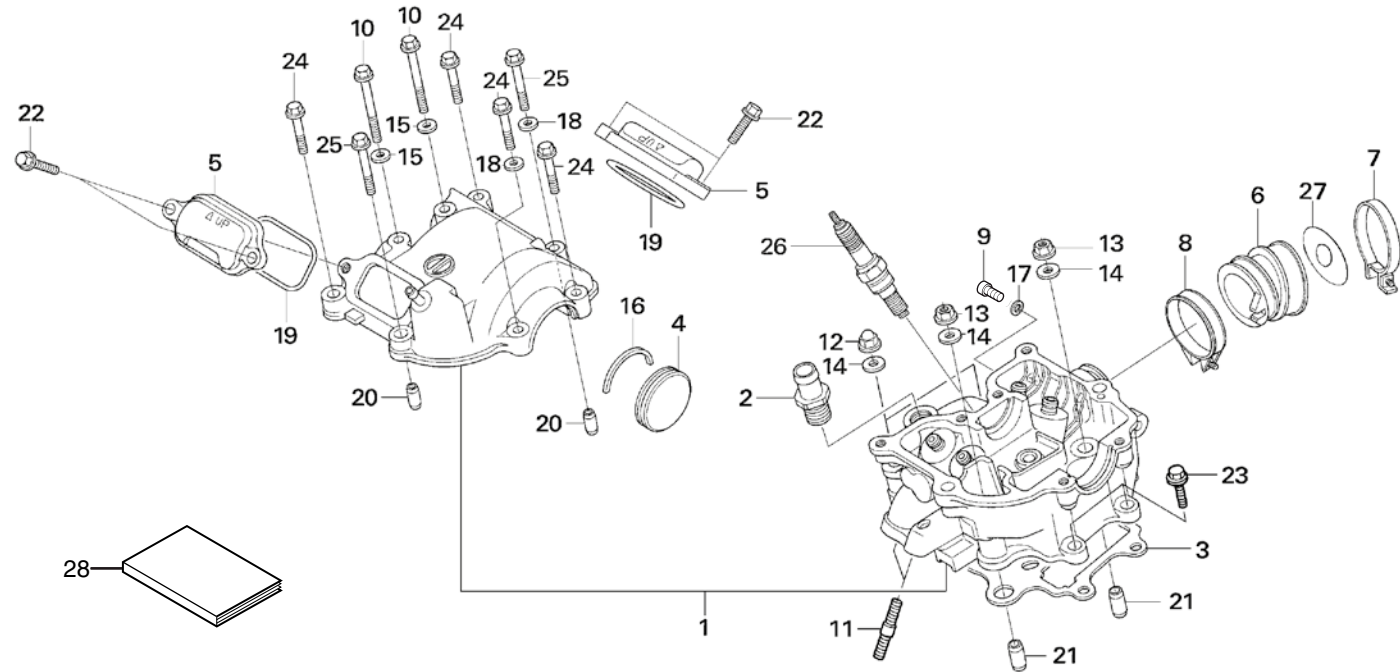
The following abbreviations are used in this parts list.

- A.C. Alternating current
- ASSY. Assembly
- COMP. Complete
- G. Gram
- L. Left
- L (100L) Link (100 Links)
- mm Milimeter
- D. Right
- STD Standard
- T (21T) Tooth (21 teeth)
- t Thickness (mm)

* Serial number

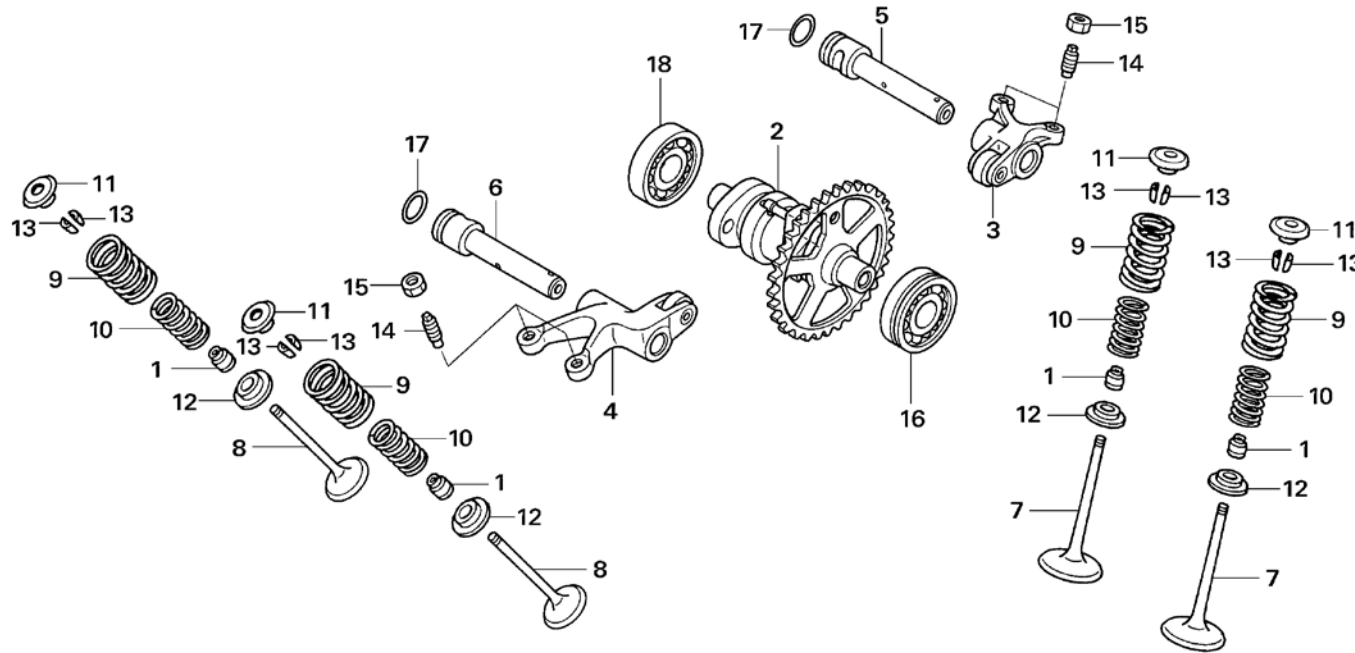
MODEL	TYPE	FRAME No.	ENGINE No.
MRT 300 J	2ED	VTDND15A?JE000001	NN4E7001001
MRT 300 J	4ED	VTDNE053?JE000001	NN4E7001001

Block No.
E-01
Cylinder head



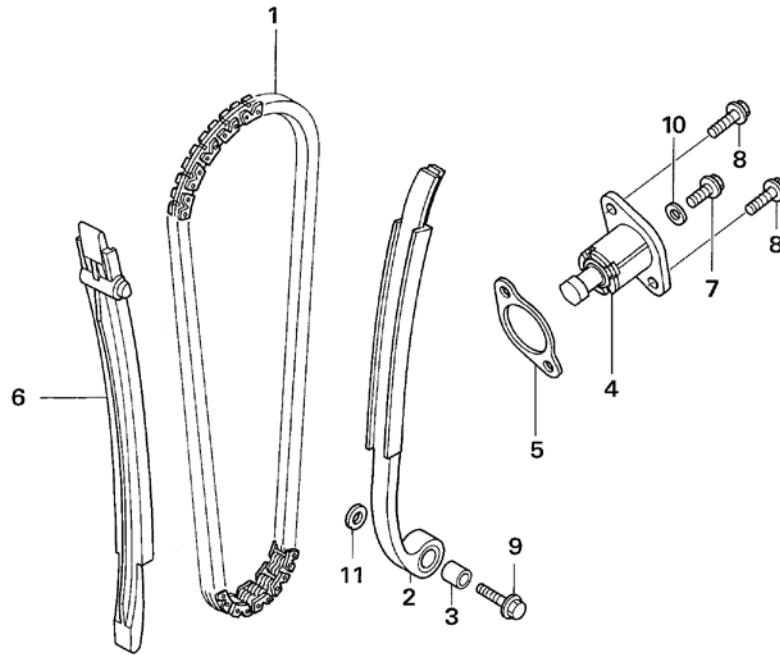
Ref.No.	Part No.	Description	Qty. '18	Ref.No.	Part No.	Description	Qty. '18
1	12010-NN4-000	HEAD SET, CYLINDER	1	18	90463-ML7-000	WASHER, SEALING, 6.5mm	2
2	12203-KA5-690	JOINT, PIPE 13	1	19	91303-436-003	O-RING, 43X2.5.....	2
3	12251-NN4-L60	GASKET, CYLINDER HEAD.....	1	20	94301-08140	DOWEL PIN, 8X14.....	2
4	12312-NN4-000	CAP, CYLINDER HEAD SIDE.....	1	21	94301-12200	DOWEL PIN, 12X20.....	2
5	12351-NN4-000	COVER, TAPPET ADJ HOLE	2	22	96001-06020-00	BOLT, FLANGE, 6X20.....	4
6	16211-NN4-000	INSULATOR, THROTTLE BODY.....	1	23	96001-06022-00	BOLT, FLANGE, 6X22.....	2
7	16215-NN4-000	BAND, INSULATOR.....	1	24	96001-06028-00	BOLT, FLANGE, 6X28.....	4
8	16216-MCZ-000	BAND, INSULATOR A.....	1	25	96001-06035-00	BOLT, FLANGE, 6X35.....	2
9	90089-KR0-000	BOLT SOCKET 5X12.....	1	26	98059-56916-00	SPARK PLUG, CR6EH-9.....	1
10	90002-NN4-000	BOLT, SPECIAL 6X50.....	2	27	16213-NN4-600	INSOLATE PLATE (2ED).....	1
11	90041-NN4-000	BOLT, STUD 2.7X17.....	2	28	62NN4NREMH	SHOP / OWNER'S MANUAL (ENGLISH).....	1
12	90232-MB6-680	NUT 9MM, CAP.....	2		65NN4NRSMH	SHOP / OWNER'S MANUAL (ESPAÑOL).....	1
13	90233-MM4-000	NUT FLANGE 9mm.....	2		64NN4NRGMH	SHOP / OWNER'S MANUAL (DEUTSCH).....	1
14	90401-KRN-670	WASHER, PLAIN 9mm.....	4		69NN4NRIMH	SHOP / OWNER'S MANUAL (ITALIANO).....	1
15	90441-MR1-770	WASHER, SEALING.....	2		63NN4NRFMH	SHOP / OWNER'S MANUAL (FRANÇAIS).....	1
16	90446-NN4-000	WASHER, CAM SHAFT THRUST.....	1		U2NN4NRUMH	SHOP / OWNER'S MANUAL (ENGLISH)(USA).....	1
17	90452-323-000	WASHER, 5MM.....	1				

Block No.
E-02
Camshaft
Valve



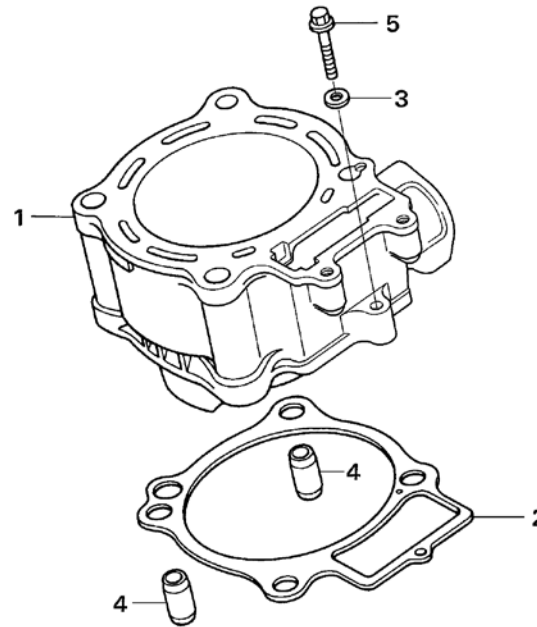
Ref.No.	Part No.	Description	Qty. '18	Ref.No.	Part No.	Description	Qty. '18
1	12209-ML0-722	SEAL VALVE STEM.....	4	17	91370-461-000	O-RING, 11.9X2.2.....	2
2	14100-NN4-D00	SHAFT COMP., CAM	1	18	96100-62013-00	BEARING, BALL RADIAL 6201.....	1
3	14430-NN4-000	ARM COMP., IN. ROCKER	1				
4	14440-NN4-000	ARM COMP., EXH. ROCKER	1				
5	14450-NN4-000	SHAFT COMP., IN. ROCKER ARM	1				
6	14460-NN4-000	SHAFT COMP., EX. ROCKER ARM	1				
7	14711-NN4-000	VALVE, INLET.....	2				
8	14721-NN4-000	VALVE, EXHAUST	2				
9	14751-NN4-000	SPRING, VALVE OUTER.....	4				
10	14752-NN4-000	SPRING, VALVE INNER	4				
11	14771-KW3-900	RETAINER VALVE SPRING.	4				
12	14776-NN4-000	SEAT, VALVE SPRING.....	4				
13	14781-ML0-720	COTTER, VALVE	8				
14	90012-KK3-830	SCR., TAPPET ADJG	4				
15	90206-250-000	NUT, TAPPET ADJG.....	4				
16	91007-NN4-003	BEARING, BALL RADIAL 6201 SPL.....	1				

Block No.
E-03
 Camchain
 Tensioner



Ref.No.	Part No.	Description	Qty. '18	Ref.No.	Part No.	Description	Qty. '18
1	14401-NN4-003	CHAIN, CAM.....	1				
2	14510-NN4-000	TENSIONER COMP., CAM CHAIN	1				
3	14515-KF0-000	TENSIONER COLLAR.....	1				
4	14520-KRN-671	LIFTER ASSY., TENSIONER	1				
5	14560-MEN-671	GASKET, TENSIONER LIFTER	1				
6	14620-NN4-000	GUIDE, CAM CHAIN.....	1				
7	90004-GHB-600	BOLT, FLANGE, NSHF, 6X10	1				
8	90004-GHB-630	BOLT, FLANGE, NSHF, 6X16	2				
9	90088-MEB-670	BOLT, FLANGE 6X25	1				
10	90442-397-000	WASHER, SEALING 6mm	1				
11	90482-567-000	WASHER, SPECIAL 6mm.....	1				

Block No.
E-04
 Cylinder

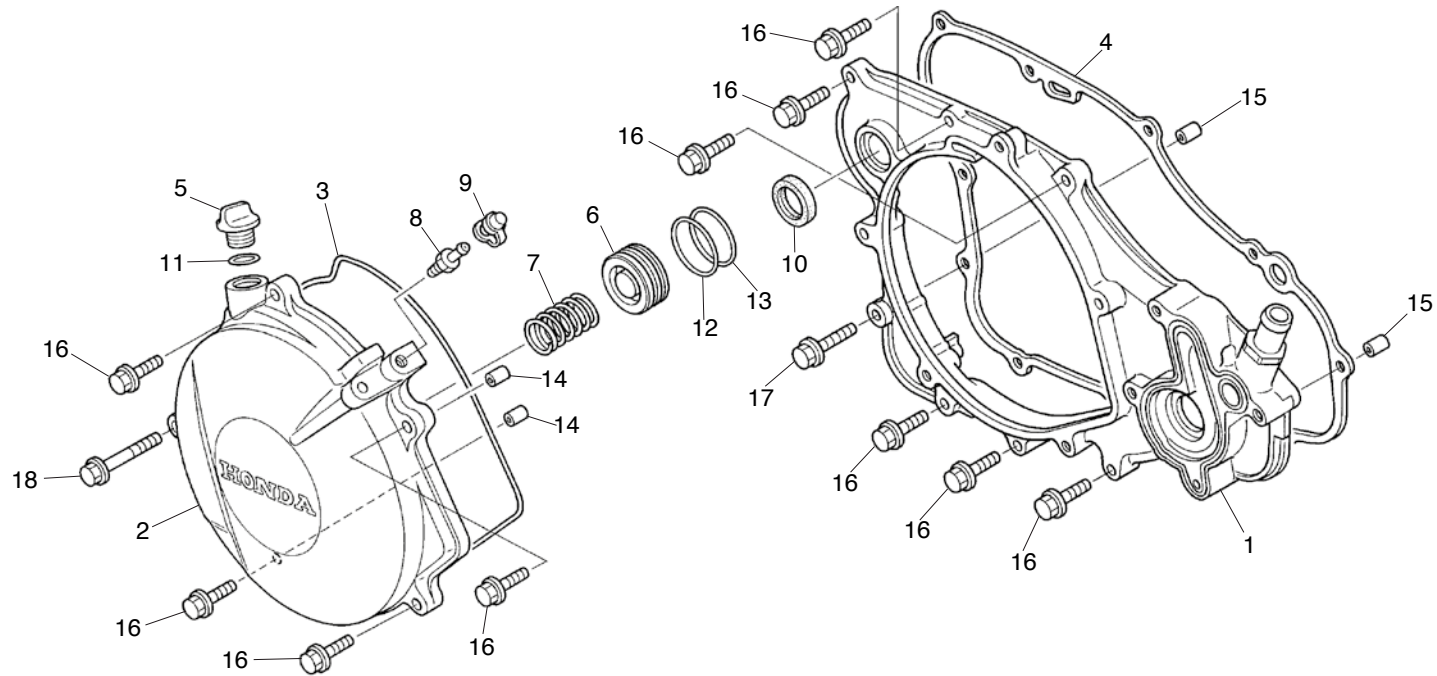


Ref.No.	Part No.	Description	Qty. '18	Ref.No.	Part No.	Description	Qty. '18
1	12100-NN4-M60	CYLINDER	1				
2	12191-NN4-003	GASKET, CYLINDER.....	1				
3	90463-ML7-000	WASHER, SEALING, 6.5mm	1				
4	94301-12200	PIN, DOWEL, 12X20	2				
5	96001-06028-00	BOLT, FLANGE, 6X28	1				

Block No.

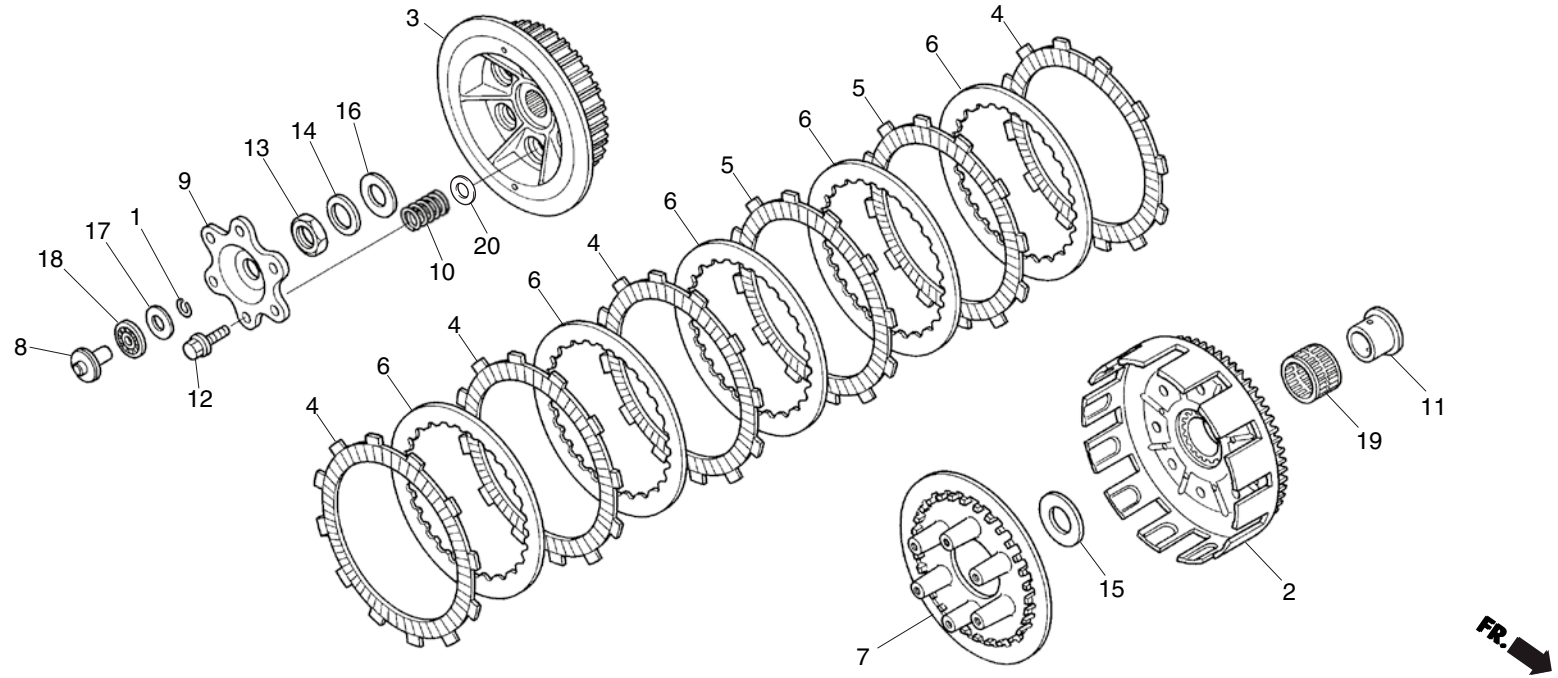
E-05

RH. Crankcase cover



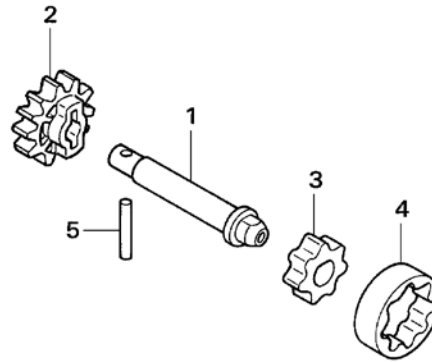
Ref.No.	Part No.	Description	Qty. '18	Ref.No.	Part No.	Description	Qty. '18
1	11330-NN4-000	COVER COMP, RH. CRANK CASE.....	1	17	96001-06035-00	BOLT, FLANGE, 6X35.....	1
2	11350-NN4-L60	COVER COMP, CLUTCH.....	1	18	96001-06055-00	BOLT, FLANGE, 6X55.....	1
3	11352-NN4-003	GASKET, CLUTCH COVER.....	1				
4	11394-NN4-000	GASKET, RH. COVER.....	1				
5	15611-KA3-710	CAP, OIL FILLER.....	1				
6	22863-NN3-000	PISTON COMP, SLAVE CYLN.....	1				
7	22864-NN3-000	SPRING, SLAVE CYLN.....	1				
8	43352-568-003	SCREW, BLEEDER.....	1				
9	43353-461-771	CAP, BLEEDER.....	1				
10	91205-KA3-712	OIL SEAL, 16.5X25X5.....	1				
11	91305-PH7-003	O-RING, 11.9X2.4.....	1				
12	91312-371-013	O-RING, 23X2.1.....	1				
13	91312-NN3-003	O-RING, 21.8X2.4.....	1				
14	91320-KE1-000	PIN, DOWEL SPC. 8X7.....	2				
15	94301-08140	DOWEL PIN, 8X14.....	2				
16	96001-06028-00	BOLT, FLANGE, 6X28.....	10				

Block No.
E-06
Clutch



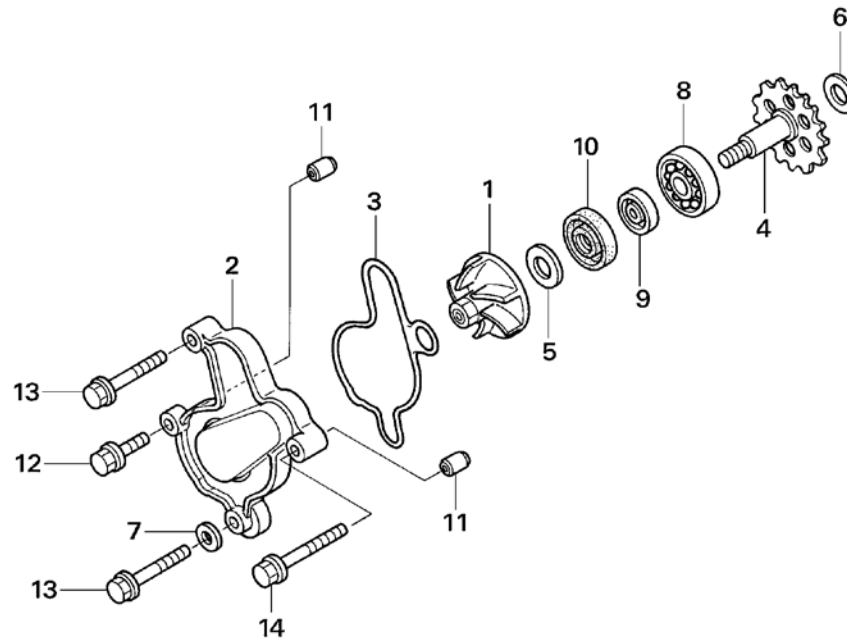
Ref.No.	Part No.	Description	Qty. '18	Ref.No.	Part No.	Description	Qty. '18
1	13115-147-000	CLIP, PISTON PIN 10mm.....	1	17	90608-072-000	WASHER 12mm.....	1
2	22100-NN4-000	OUTER COMP., CLUTCH	1	18	91001-147-003	BEARING., NEEDLE 12mm	1
3	22121-NN4-000	GENTER, CLUTCH	1	19	91011-KS6-003	BEARING., NEEDLE 25X29X22	1
4	22201-KY2-000	DISK, CLUTCH FRICTION.....	4	20	22403-NN4-L60	WASHER SPG CLUTCH.....	6
5	22201-NN4-B00	DISK, CLUTCH FRICTION (PAPER).....	2				
6	22321-MG3-000	PLATE, CLUTCH.....	5				
7	22351-NN4-000	PLATE, CLUTCH PRESSURE.....	1				
8	22352-NN4-000	PIECE, CLUTCH LIFTER	1				
9	22361-NN4-000	PLATE, CLUTCH LIFTER	1				
10	22402-NN4-000	SPRING, CLUTCH.....	6				
11	28237-KZ4-A10	COLLAR, CLUTCH OUTER.....	1				
12	90004-GHB-660	BOLT, FLANGE, NSHF, 6X22	6				
13	90201-NN3-000	NUT, 18mm.....	1				
14	90432-KF0-000	WASHER LOCK.....	1				
15	90456-KS6-000	WASHER, THRUST, 20mm.....	1				
16	90501-ML3-910	WASHER, 18X32X2	1				

Block No.
E-07
 Oil pump



Ref.No.	Part No.	Description	Qty. '18	Ref.No.	Part No.	Description	Qty. '18
1	15111-NN4-000	SHAFT, OIL PUMP.....	1				
2	15133-NN4-000	GEAR, OIL PUMP DRIVEN	1				
3	15331-324-000	ROTOR INNER OIL PUMP.....	1				
4	15332-324-000	ROTOR OUTER OIL PUMP	1				
5	96220-30178	ROLLER, 3X17.8.....	1				

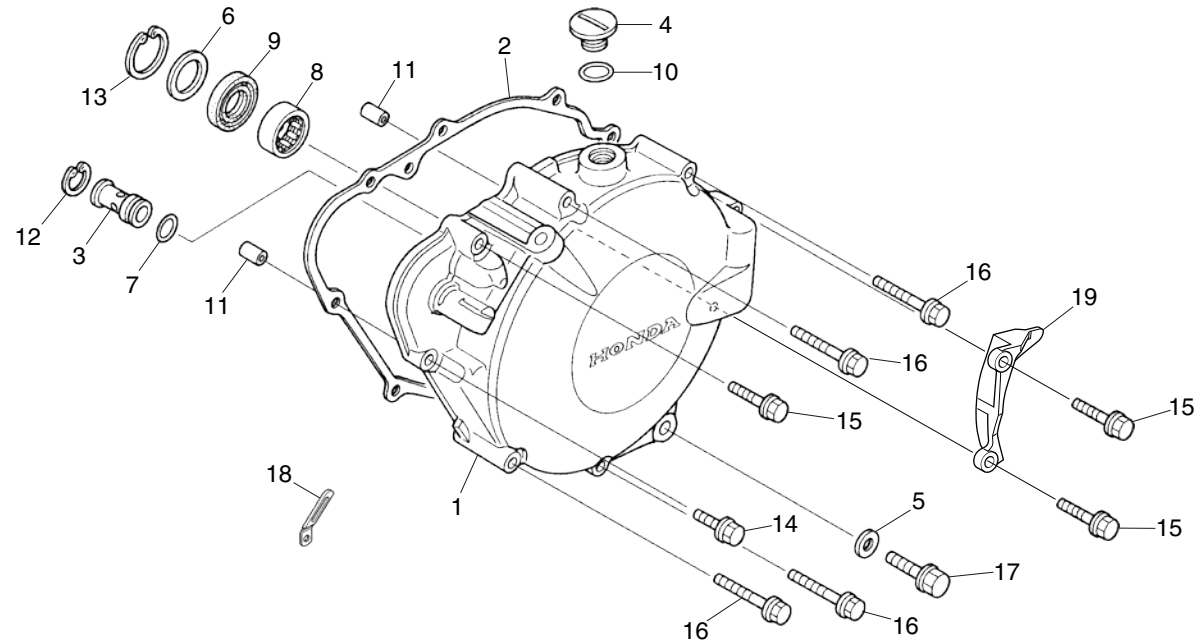
Block No.
E-08
 Water pump



FR. →

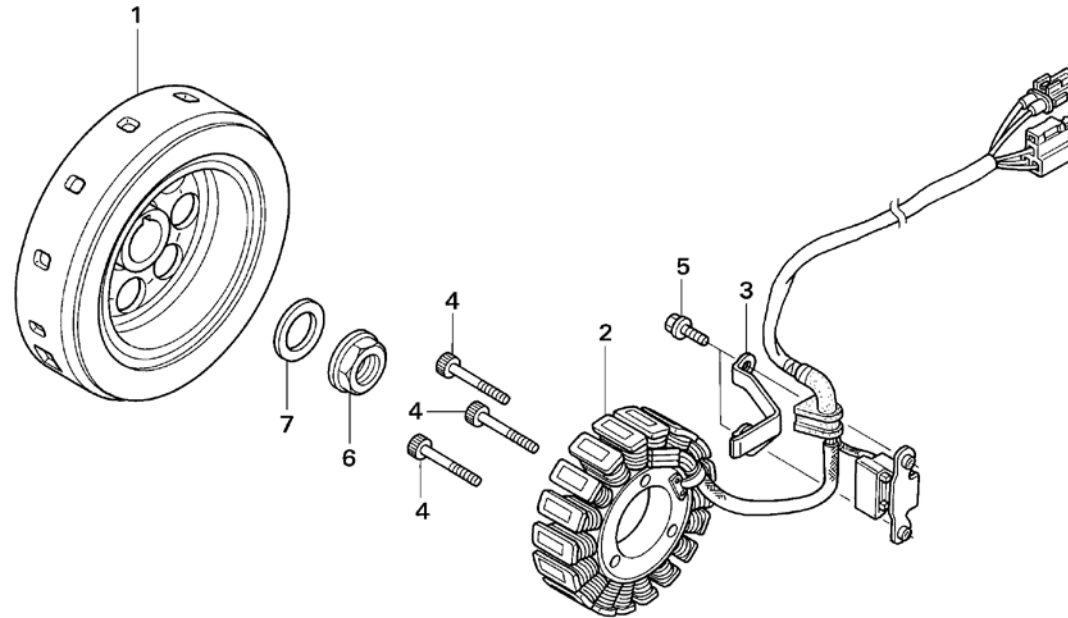
Ref.No.	Part No.	Description	Qty. '18	Ref.No.	Part No.	Description	Qty. '18
1	19215-GC4-731	IMPELLER, WATER PUMP	1				
2	19221-NN4-000	COVER, WATER PUMP	1				
3	19229-NN4-000	GASKET, W/P COVER	1				
4	19240-NN4-010	GEAR COMP., WATER PUMP.....	1				
5	90447-KE1-000	WASHER, SEALING, 7mm	1				
6	90456-333-000	WASHER, THRUST 11mm	1				
7	90463-ML7-000	WASHER, SEALING, 6.5mm	1				
8	91001-KA4-003	BEARING., BALL, 12X28X7	1				
9	91201-148-003	OIL SEAL, 12X22X5	1				
10	91211-KA3-761	SEAL, WATER PUMP.....	1				
11	91320-KE1-000	PIN, DOWEL SPC. 8X7	2				
12	96001-06025-00	BOLT, FLANGE, 6X25	1				
13	96001-06050-00	BOLT, FLANGE, 6X50	2				
14	96001-06060-00	BOLT, FLANGE, 6X60	1				

Block No.
E-09
 LH. Crankcase cover



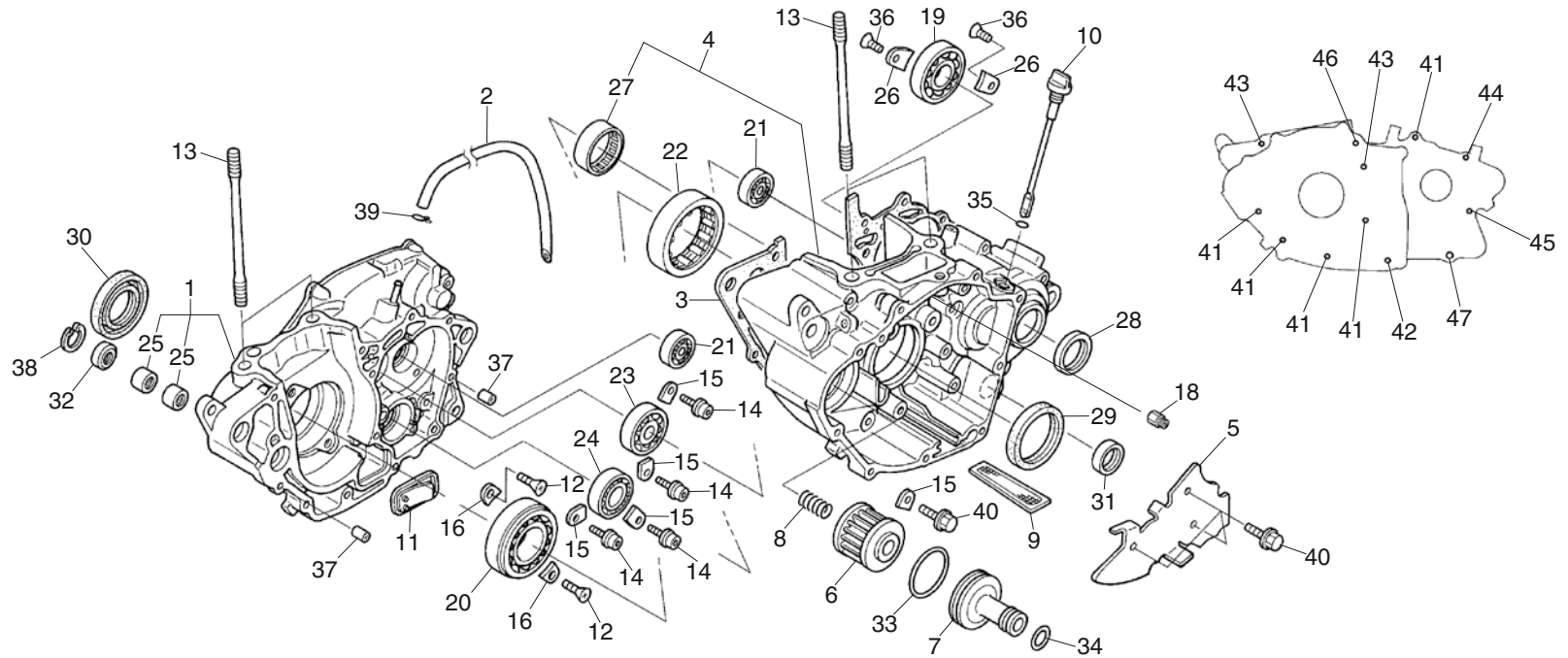
Ref.No.	Part No.	Description	Qty. '18	Ref.No.	Part No.	Description	Qty. '18
1	11340-NN4-L60	COVER COMP., LH. (BLACK) CRANK CASE	1	17	96300-08035-00	BOLT, FLANGE, DR, 8X35	1
2	11395-NN4-000	GASKET, LH. COVER	1	18	91410-KT7-000	CLIP, 4X60	1
3	15220-MEB-770	VALVE ASSY., RELIEF	1	19	23811-NN4 -M60	PROTECTOR SPKT, DRIVEN.....	1
4	90084-428-000	CAP, ACG.....	1				
5	90441-ME9-000	WASHER, SEALING 8mm	1				
6	90454-GF9-000	WASHER, 20.2mm.....	1				
7	90751-GK1-003	O-RING 8.5X1.7	1				
8	91008-NN4-003	BEARING, NEEDLE 15X25X12	1				
9	91202-NN4-003	OIL SEAL, 15X26X5	1				
10	91303-377-000	O-RING, 13.8X2.5.....	1				
11	94301-08100	PIN, DOWEL 8X10.....	2				
12	94520-14000	CIRCLIP, IN, 14	1				
13	94520-28000	CIRCLIP, IN, 28	1				
14	96001-06028-00	BOLT, FLANGE, 6X28	1				
15	96001-06035-00	BOLT, FLANGE, 6X35	3				
16	96001-06050-00	BOLT, FLANGE, 6X50	4				

Block No.
E-10
Generator



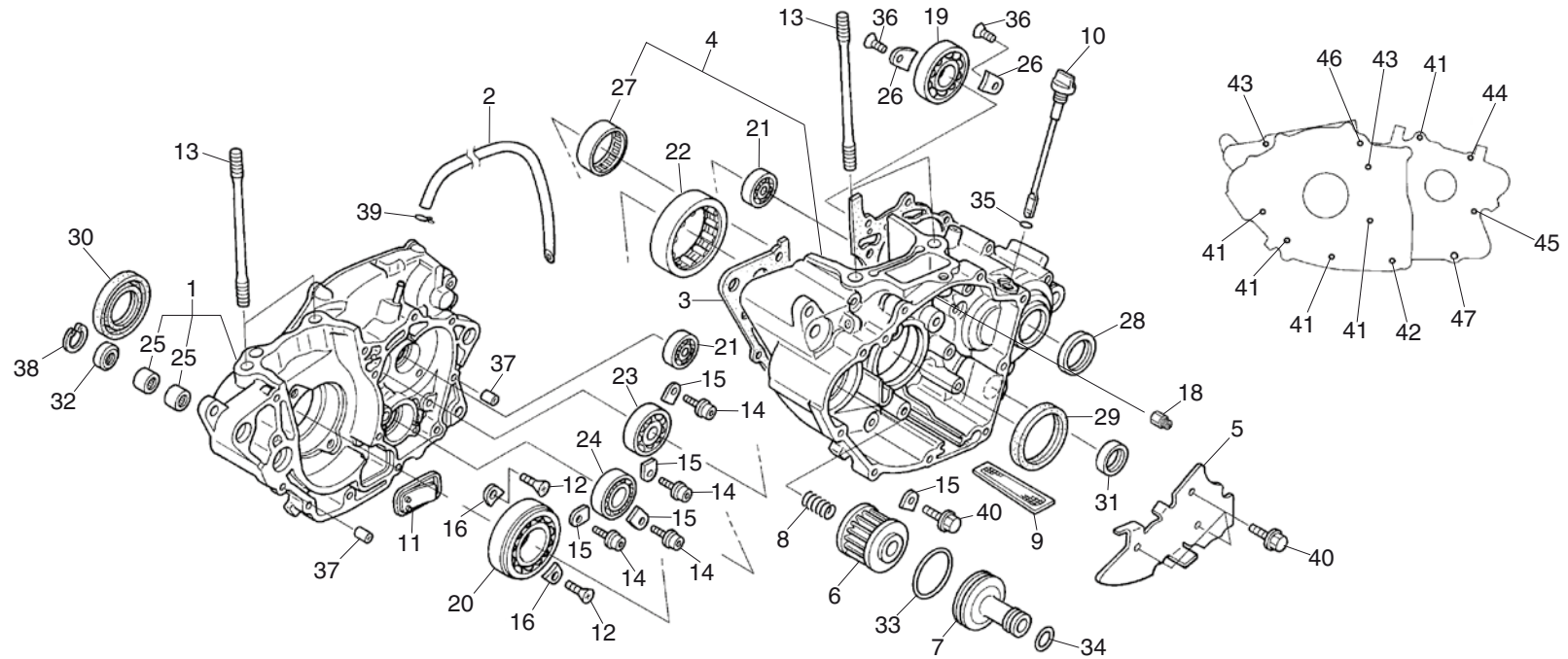
Ref.No.	Part No.	Description	Qty. '18	Ref.No.	Part No.	Description	Qty. '18
1	31110-NN4-003	FLYWHEEL COMP.	1				
2	31120-NN4-B01	STATOR COMP.	1				
3	31121-NN4-000	CLAMPER, ACG CORD.....	1				
4	90001-NN4-000	BOLT, SOCKET 5X28.....	3				
5	90005-896-000	BOLT, FLANGE 5X16.....	2				
6	90201-NN4-000	NUT, FLANGE 18mm.....	1				
7	90402-NN4-000	WASHER, 18mm.....	1				

Block No.
E-11
Crankcase



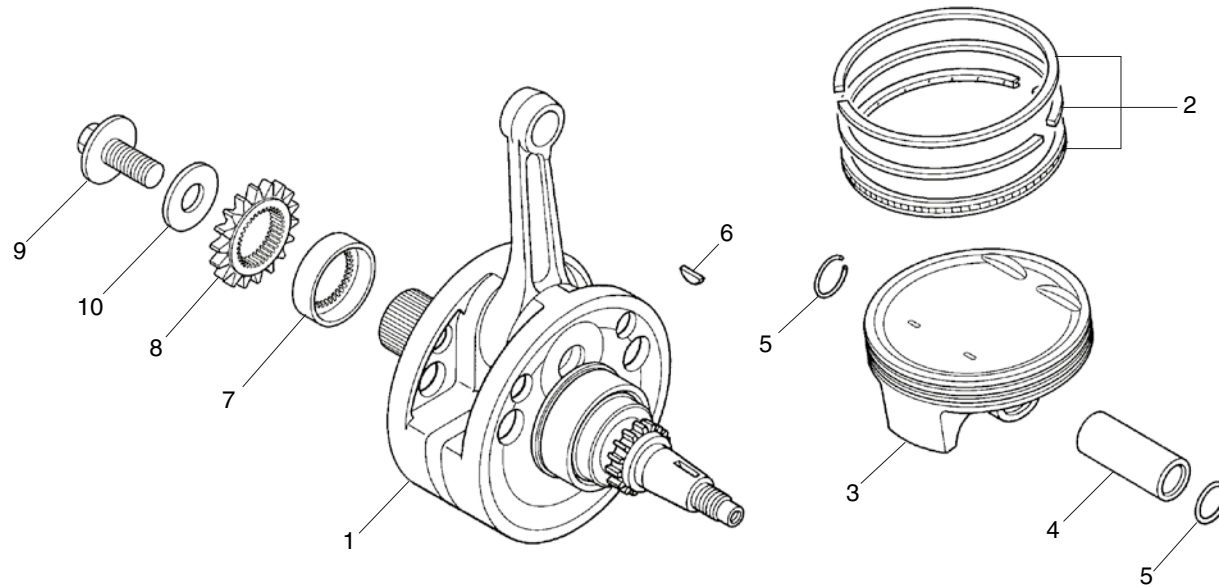
Ref.No.	Part No.	Description	Qty. '18	Ref.No.	Part No.	Description	Qty. '18
1	11100-NN4-L60	CRANKCASE COMP, RIGHT	1	17	90441-ME9-000	WASHER, SEALING 8mm	1
2	11105-NN4-000	TUBE, BREATHER	1	18	90901-NN4-D00	ORIFICE #190	1
3	11191-NN4-000	GASKET, CRANKCASE	1	19	91001-KA3-711	BEARING, BALL, 6204	1
4	11200-NN4-M60	CRANKCASE COMP, LEFT	1	20	91001-KRN-671	BEARING, BALL RADIAL 30X72X16	1
5	11206-NN4-000	PLATE, CAM CHAIN GUIDE	1	21	91001-KZ4-J11	BEARING, BALL RADIAL 17X35X10	2
6	15412-MEN-671	FILTER COMP, ENGINE OIL	1	22	91002-NN4-003	BEARING, ROLLER SPL	1
7	15412-NN4-000	COVER, OIL FILTER	1	23	91004-KRN-671	BEARING, BALL RADIAL 22X47X14	1
8	15414-MEB-670	SPRING, OIL FILTER	1	24	91004-KY4-900	BEARING, BALL RADIAL 6905U	1
9	15421-NN4-000	SCREEN, OIL FILTER	1	25	91006-HA0-003	BEARING, NEEDLE 9mm	2
10	15650-NN4-000	GAUGE, OIL LEVEL	1	26	91012-KA3-710	PLATE, C-SHAFT BEARING.	2
11	18601-MBW-003	REED VALVE COMP.	1	27	91022-KA4-740	BEARING, SHELL 33X38X8	1
12	90003-KRN-670	SCREW, FLAT SPL 6X12	2	28	91201-KS6-004	OIL SEAL, 26X37X7	1
13	90031-NN4-000	BOLT, STUD 10X110	4	29	91201-MEB-671	OIL SEAL, 35X52X7	1
14	90071-MF5-000	BOLT, SOCKET FLANGE 6X14	4	30	91202-MEB-671	OIL SEAL, 39X56X7	1
15	90441-KA4-700	PLATE, BEARING HOLD	5	31	91203-KA4-771	OIL SEAL, 14X22X5	1
16	90441-KRN-670	PLATE, BEARING HOLD	2	32	91204-HB3-004	OIL SEAL, 9X18X5	1

Block No.
E-11
Crankcase



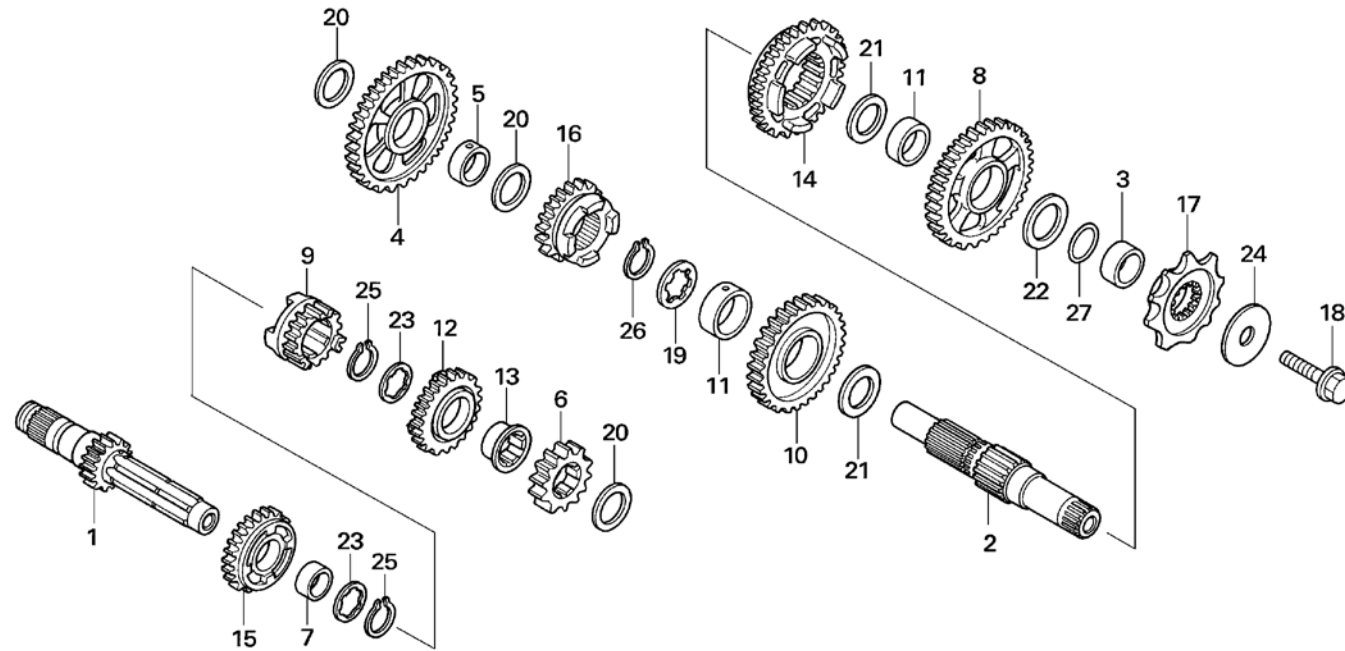
Ref.No.	Part No.	Description	Qty. '18	Ref.No.	Part No.	Description	Qty. '18
33	91302-PA9-003	O-RING, 39.8X2.2.....	1				
34	91303-HA0-003	O-RING, 11X1.9.....	1				
35	91316-MJ8-003	O-RING, 8.4X2.4.....	1				
36	93600-06010-OH	SCREW, FLAT 6X10.....	2				
37	94301-08140	DOWEL PIN, 8X14.....	2				
38	94520-19000	CIRCLIP, IN, 19.....	1				
39	95002-02100	CLIP B10, TUBE.....	1				
40	96001-06014-00	BOLT, FLANGE, 6X14.....	4				
41	96001-06045-00	BOLT, FLANGE, 6X45.....	5				
42	96001-06055-00	BOLT, FLANGE, 6X55.....	1				
43	96001-06070-00	BOLT, FLANGE, 6X70.....	2				
44	96001-06075-00	BOLT, FLANGE, 6X75.....	1				
45	96001-06080-00	BOLT, FLANGE, 6X80.....	1				
46	96001-06085-00	BOLT, FLANGE, 6X85.....	1				
47	96300-08070-00	BOLT, FLANGE, DR, 8X70.....	1				

Block No.
E-12
Crankshaft
Piston



Ref.No.	Part No.	Description	Qty. '18	Ref.No.	Part No.	Description	Qty. '18
1	13000-NN4-L60	CRANK SHAFT COMP.....	1				
2	13011-NN4-N60	RING SET, PISTON.....	1				
3	13101-NN4-M60	PISTON.....	1				
4	13111-NN4-L60	PIN, PISTON.....	1				
5	13115-NN4-L60	CLIP, PISTON PIN 16mm.....	2				
6	13331-357-000	KEY SPECIAL WOODRUFF, 25X18.....	1				
7	13617-NN4-000	COLLAR, DRIVE GEAR.....	1				
8	23121-NN4-000	GEAR, PRIMARY DRIVE.....	1				
9	90013-NN4-000	BOLT, SPECIAL 12X27.....	1				
10	90402-KY4-900	WASHER, PLAIN, 12mm.....	1				

Block No.
E-13
Transmission

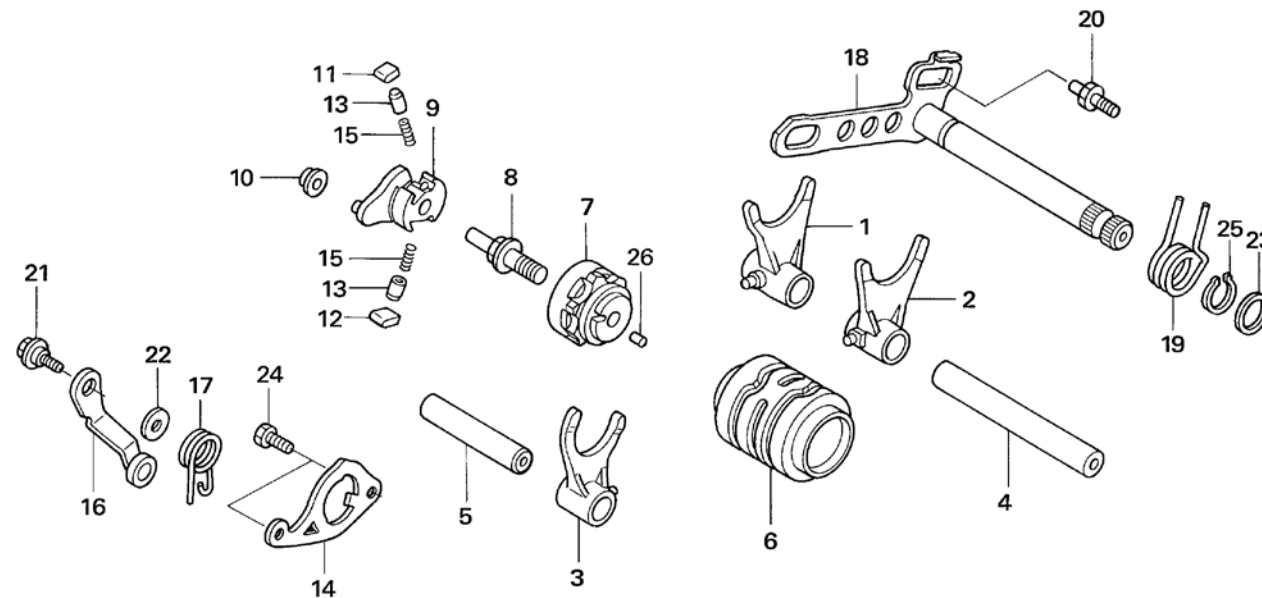


Ref.No.	Part No.	Description	Qty. '18	Ref.No.	Part No.	Description	Qty. '18
1	23211-NN4-000	SHAFT, MAIN.....	1	17	23801-NN4-000	SPROCKET, DRIVE 10T.....	1
2	23221-NN4-000	SHAFT, COUNTER.....	1	18	90112-413-000	BOLT, UBS 8X33.....	1
3	23225-KS6-000	COLLAR, C-SHAFT	1	19	90404-KW3-000	WASHER, THRUST, INV 22X21X1	1
4	23411-NN4-000	GEAR, C-LOW	1	20	90446-357-000	WASHER, THRUST 17.2mm	3
5	23413-NN4-000	COLLAR, 17mm.....	1	21	90452-KZ4-000	WASHER, THRUST 20X30X1	2
6	23421-NN4-000	GEAR, M-2ND	1	22	90453-KZ4-000	WASHER, THRUST 20X30X1.5	1
7	23422-GB4-770	BUSH, 20X9.....	1	23	90461-444-000	WASHER, SPLINE 20	2
8	23431-NN4-000	GEAR, C-2ND.....	1	24	90501-NN4-003	WASHER, SPRING 8X33	1
9	23441-NN4-000	GEAR, M-3RD.....	1	25	90601-360-000	SET RING 20mm	2
10	23451-NN4-000	GEAR, C-3RD	1	26	90602-360-000	SET RING 22mm	1
11	23452-NN4-000	COLLAR, C-3RD GEAR	2	27	91351-KA3-711	O-RING, 20mm.....	1
12	23461-NN4-000	GEAR, M-4TH.....	1				
13	23462-NN4-000	COLLAR, M-4TH GEAR.....	1				
14	23471-NN4-000	GEAR, C-4TH	1				
15	23481-NN4-000	GEAR, M-5TH.....	1				
16	23491-NN4-000	GEAR, C-5TH	1				

Block No.

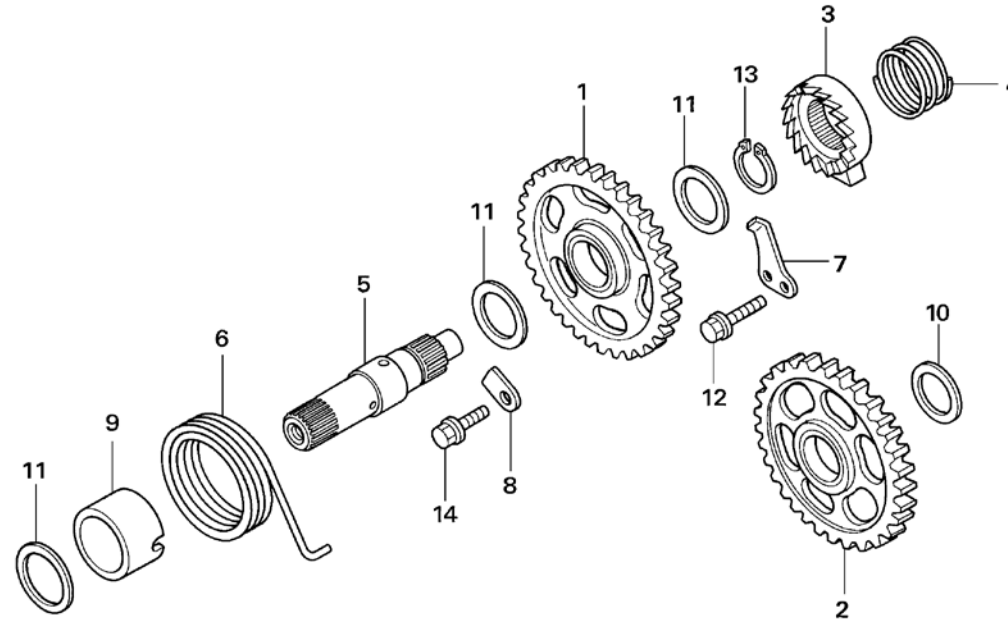
E-14

Gearshift drum



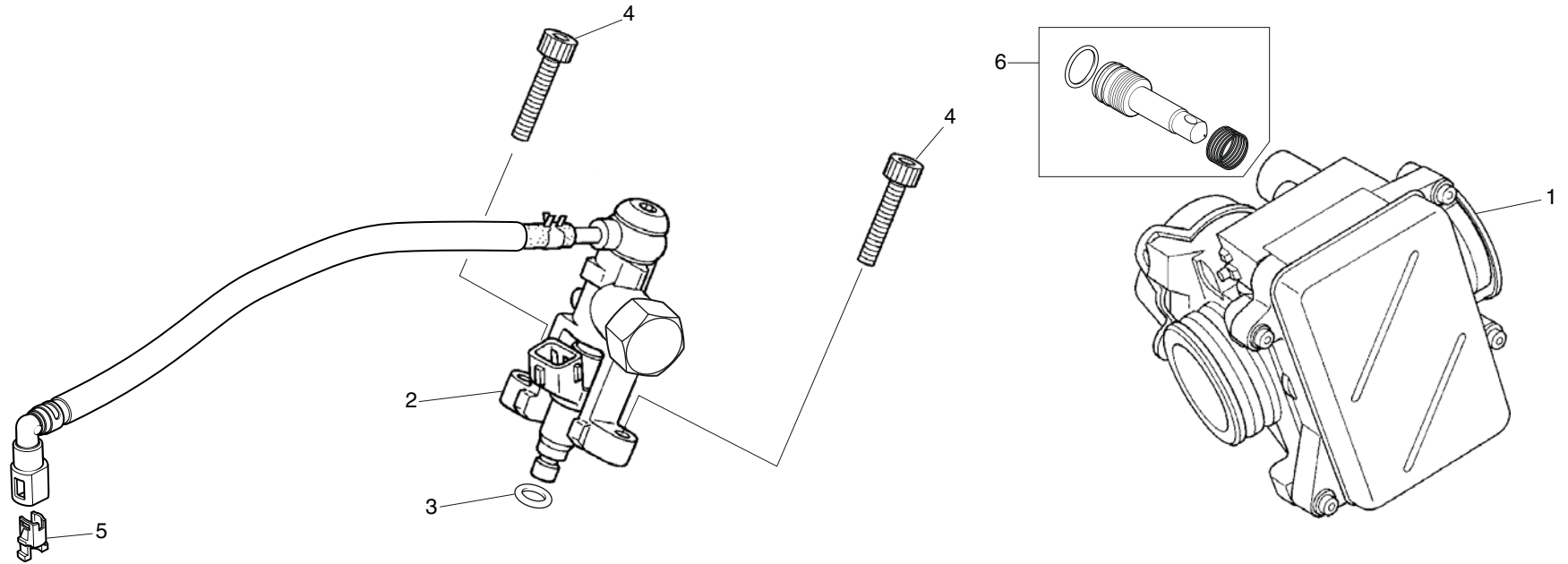
Ref.No.	Part No.	Description	Qty. '18	Ref.No.	Part No.	Description	Qty. '18
1	24211-KRN-730	FORK RH., GEAR SHIFT	1	17	24435-KA3-710	SPRING, DRUM STPR.....	1
2	24221-KRN-730	FORK LH., GEAR SHIFT	1	18	24610-NN4-000	SPDL COMP., GEAR SHIFT	1
3	24231-NN4-000	FORK C, GEAR SHIFT	1	19	24651-MEB-670	SPRING, SHIFT RETURN	1
4	24241-MEN-670	SHAFT A, SHIFT FORK	1	20	24652-HA0-000	PIN, GEAR SHIFT RETURN SPRING.	1
5	24242-MEN-670	SHAFT B, SHIFT FORK	1	21	90022-MG8-000	PIVOT, SHIFT DRUM STOPPER ARM	1
6	24311-NN4-000	DRUM, GEAR SHIFT	1	22	90435-HB3-000	WASHER, 6.1mm.....	1
7	24312-KA3-741	CENTER, SHIFT DRUM	1	23	90451-155-000	WASHER, 14mm.....	1
8	24315-HA0-000	PIN. SHIFTER	1	24	93301-06016-0A	BOLT, HEX., 6x16mm	2
9	24321-KZ4-620	SHIFTER, DRUM	1	25	94510-14000	CIRCLIP, EX, 14	1
10	24322-MM4-000	COLLAR, DRUM SHIFTER	1	26	96220-40080	ROLLER, 4X8.....	1
11	24324-KA3-711	PAWL A, RATCHET	1				
12	24325-KA3-711	PAWL B, RATCHET	1				
13	24326-KBH-901	PLUNGER, PAWL	2				
14	24328-NN4-000	PLATE, GUIDE	1				
15	24329-KA3-740	SPRING, PAWL PLUNGER.....	2				
16	24430-NN4-000	STPR COMP., DRUM.....	1				

Block No.
E-15
 Kick starter spindle



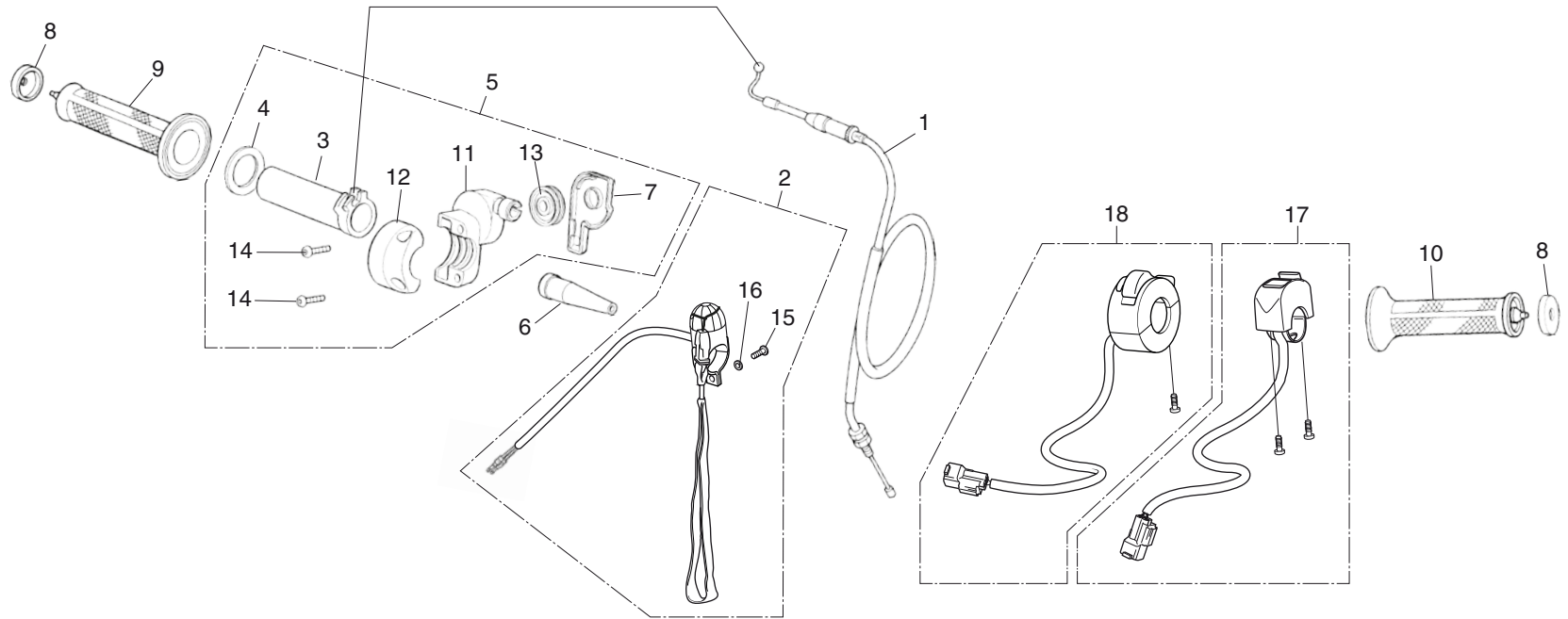
Ref.No.	Part No.	Description	Qty. '18	Ref.No.	Part No.	Description	Qty. '18
1	28210-NN4-000	PINION COMP., KICK STARTER.....	1				
2	28230-NN4-000	GEAR COMP., STARTER IDLE.....	1				
3	28241-KA3-710	RATCHET, STARTER.....	1				
4	28242-KA3-710	SPRING, RATCHET	1				
5	28251-NN4-000	SPINDLE, KICK START.....	1				
6	28261-KA3-710	SPRING, START RETURN	1				
7	28262-NN4-010	PLATE, RATCHET SLIDER.....	1				
8	28263-NN4-000	PLATE, KICK SPRING.....	1				
9	28282-NN4-000	COLLAR, KICK SPRING	1				
10	90452-178-000	WASHER, THRUST 17mm	1				
11	90501-444-000	WASHER, 16.8X24	3				
12	90085-MCS-000	BOLT, TORX., 6 mm.....	1				
13	94510-16000	CIRCLIP, EX, 16	1				
14	96001-06014-00	BOLT, FLANGE, 6X14	1				

Block No.
E-16
Throttle body
Injector



Ref.No.	Part No.	Description	Qty. '18	Ref.No.	Part No.	Description	Qty. '18
1	16400-NN4-M62	THROTTLE BODY ASSY (2ED).....	1				
	16400-NN4-M71	THROTTLE BODY ASSY (4ED).....	1				
2	16420-NN4-L10	HOLDER INJECTOR ASSY.....	1				
3	91302-PNA-003	O-RING, 7.8X1.9.....	1				
4	96700-06022-00	SOCKET BOLT 6X22	2				
5	17711-S0X-931	RETAINER.....	1				
6	16016-NN4-003	SCREW SET	1				

Block No.
F-01
Cable
Switch



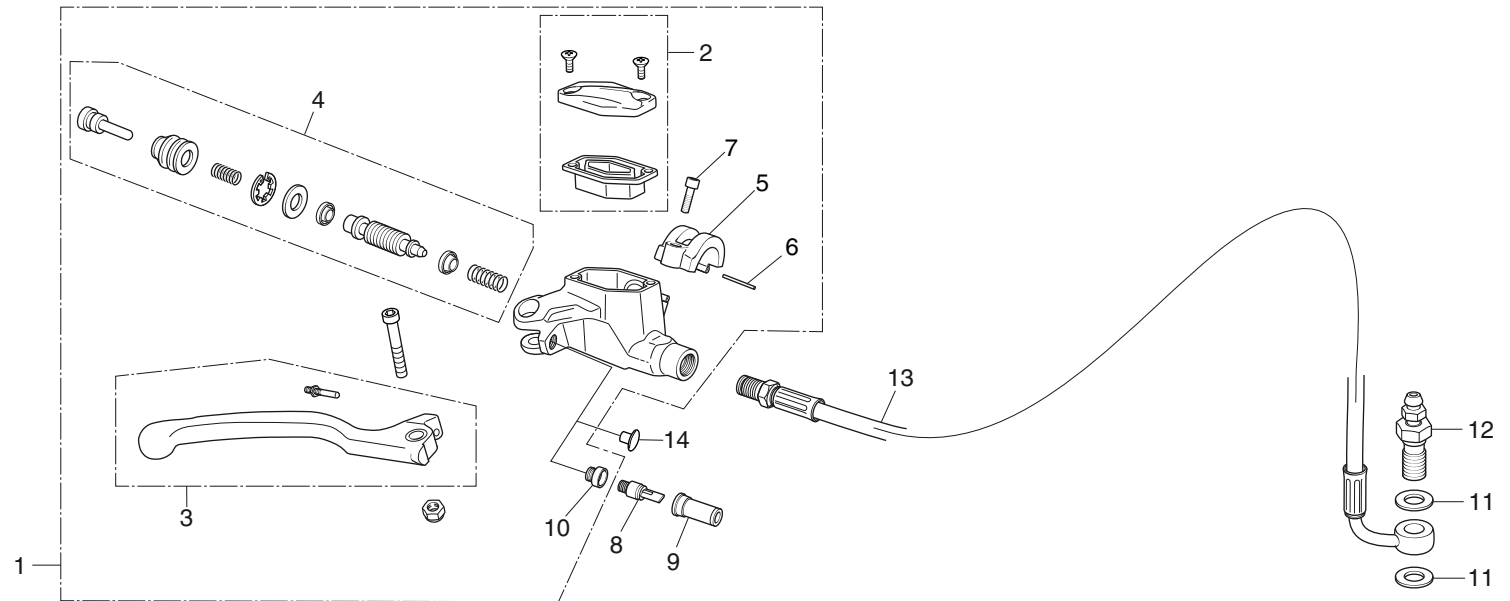
FR.

Ref.No.	Part No.	Description	Qty. '18	Ref.No.	Part No.	Description	Qty. '18
1	17910-NN4-B01	CABLE COMP., THROT	1	17	35400-NN4-D00	ENGINE MAP SWITCH (4ED)	1
2	35130-NN4-M60	SW ASSY., KILL	1	18	35150-NN4-L10	SWITCH ASSY., LIGHT (2ED)	1
3	53141-NN4-000	PIPE, THROT GRIP	1				
4	53142-NN3-000	RING, LEAF	1				
5	53160-NN4-000	SUB ASSY., THROTTLE	1				
6	53161-NN3-000	COVER, THROT CABLE	1				
7	53163-NN2-900	COVER, THROT HOUSING	1				
8	53164-KR8-000	COVER, GRIP END	2				
9	53165-KR8-000	GRIP R, HANDLE	1				
10	53166-KR8-000	GRIP L, HANDLE	1				
11	53167-NN2-900	HOUSING UP, THROT	1				
12	53168-NN2-900	HOUSING LWR, THROT	1				
13	53169-NN2-900	PULLEY, THROT	1				
14	90107-NN3-000	SOCKET BOLT, 5X16	2				
15	93500-04012-1A	SCREW, PAN 4X12	1				
16	94111-04000	WASHER, SPRING 4mm	1				

Block No.

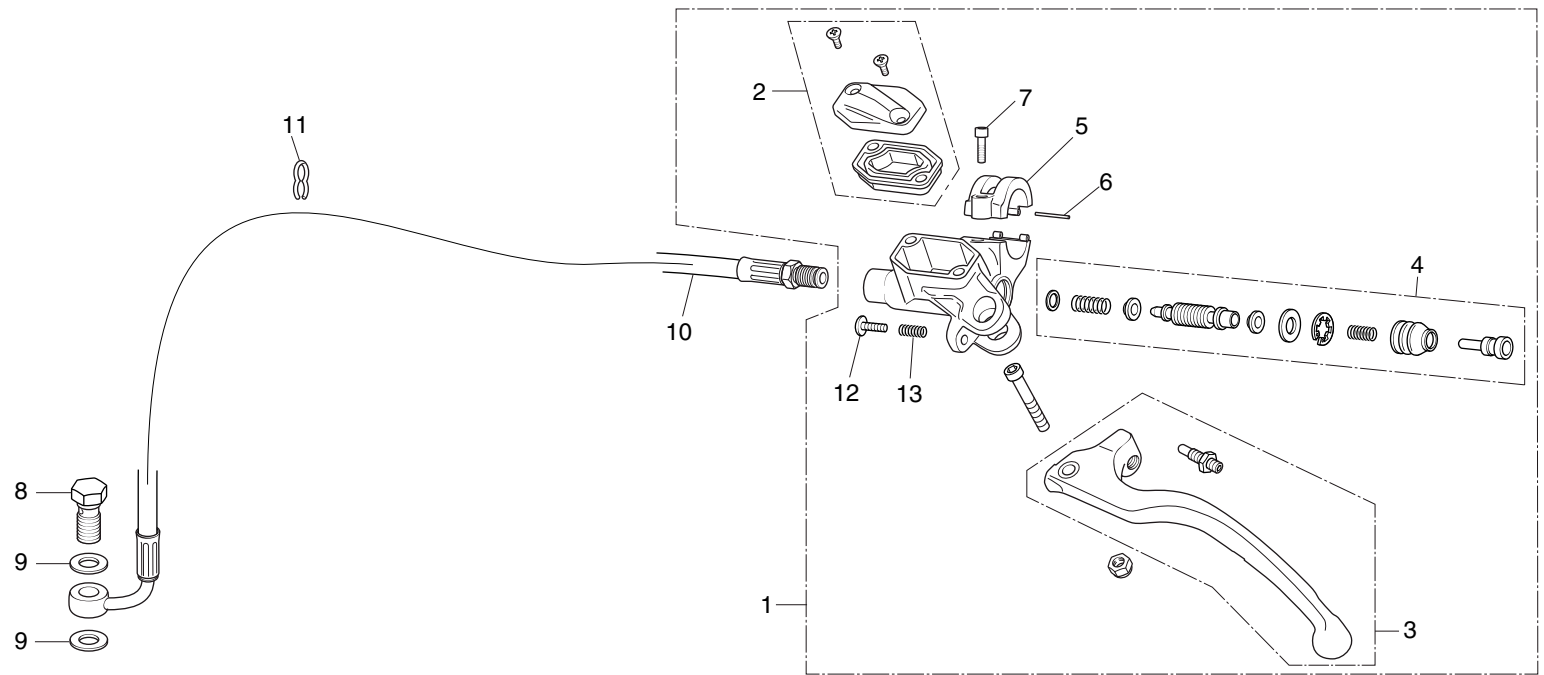
F-02

Front brake master cylinder



Ref.No.	Part No.	Description	Qty. '18	Ref.No.	Part No.	Description	Qty. '18
1	45500-NN4-N60	M/C ASSY., FR (2ED/4ED)	1				
2	45540-NN4-L60	TANK CAP	1				
3	53170-NN4-K20	LEVER ASSY., TITAN R.	1				
4	45530-NN4-N10	PISTON SET	1				
5	22882-NN4-N60	BRAKE LEVER HOLDER	1				
6	90089-NN4-L60	PIN HOLDER	1				
7	90088-NN4-J10	BOLT, SOCKET 5X16	1				
8	35350-NN4-600	SWITCH ASSY. FRONT CALIPER (2ED)	1				
9	35351-NN4-600	RUBBER COVER (2ED)	1				
10	35343-NN4-N10	COLLAR, REAR BRAKE	1				
11	90548-NN4-J10	WASHER, OIL BOLT	2				
12	90005-NN4-J10	BLEEDER BOLT M8X100	1				
13	45125-NN4-J11	HOSE, FR BRAKE	1				
14	35344-NN4-N30	CAP HOLE, SWITCH (4ED)	1				

Block No.
F-03
Clutch master cylinder

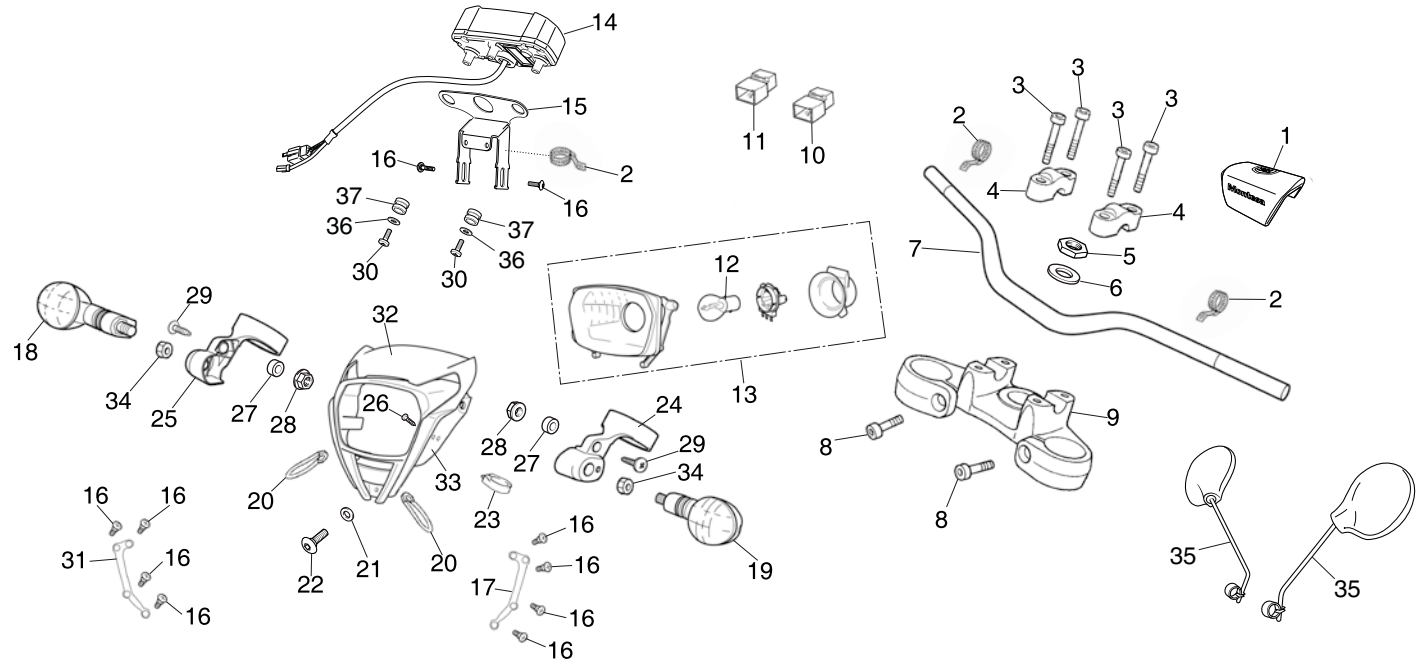


Ref.No.	Part No.	Description	Qty. '18	Ref.No.	Part No.	Description	Qty. '18
1	22880-NN4-N60	M/C ASSY., CLUTCH.....	1				
2	22883-NN4-L60	TANK CAP.....	1				
3	53180-NN4-J10	LEVER ASSY, TITAN L.....	1				
4	45530-NN4-N10	PISTON SET, CLUTCH.....	1				
5	22882-NN4-N60	CLUTCH LEVER HOLDER.....	1				
6	90089-NN4-L60	PIN HOLDER.....	1				
7	90088-NN4-J10	BOLT, SOCKET 5X16.....	1				
8	90145-NN4-J10	OIL BOLT, 10X21.....	1				
9	90545-NN4-J10	WASHER, OIL BOLT.....	2				
10	22900-NN4-J11	HOSE, CLUTCH.....	1				
11	90658-NN4-J10	CLIP.....	1				
12	53172-NN4-J30	BOLT.....	1				
13	53173-NN4-J30	SPRING.....	1				

Block No.

F-04 (2ED)

Steering handle pipe
Top bridge
Head light

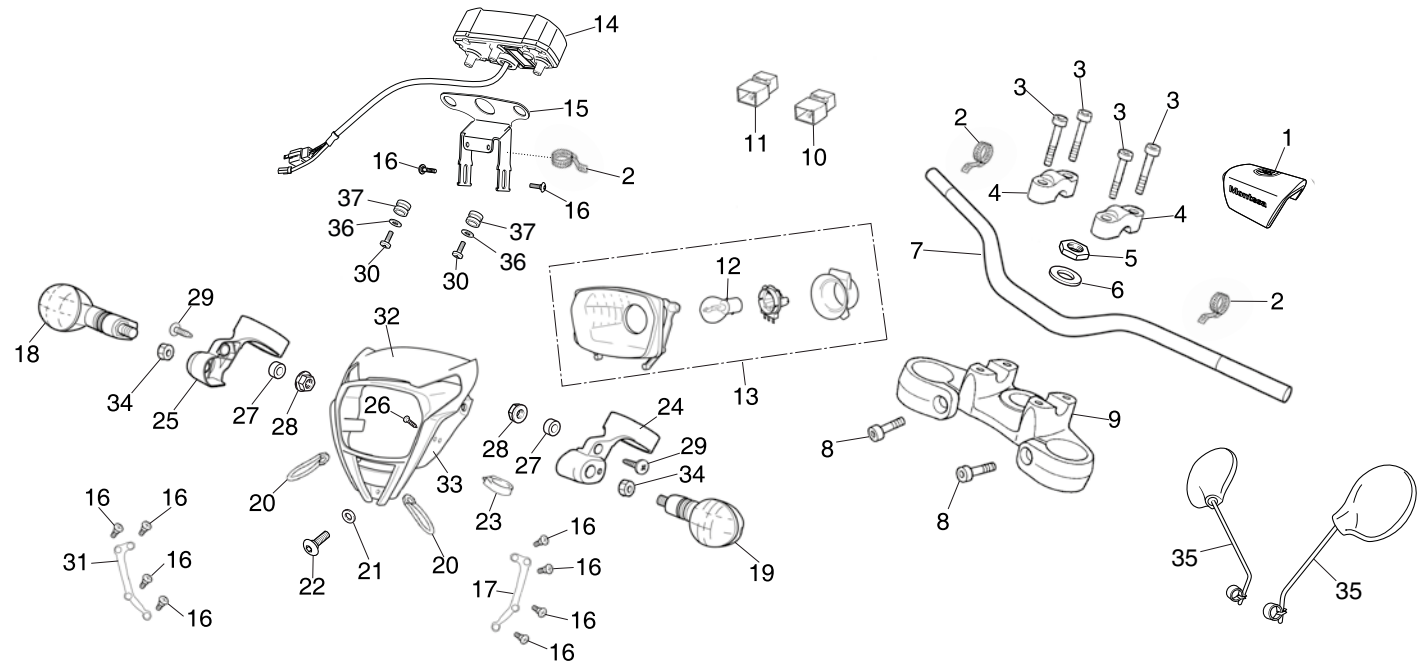


Ref.No.	Part No.	Description	Qty. '18	Ref.No.	Part No.	Description	Qty. '18
1	53121-NN4-L60	PAD PROTECTOR "S3"	1	17	61314-NN4-C10	STAY LH HEAD LIGHT	1
2	90602-NN4-600	TIE-BAND BLACK 150mm	3	18	33400-NN4-J10	WINKER ASSY RH FR	1
3	90124-KZ4-J40	BOLT, HEX. M8X35	4	19	33450-NN4-J10	WINKER ASSY LH FR	1
4	53131-NN4-J10	HOLDER, (HANDLE PIPE) UPPER	2	20	94591-27000	CLIP 2x70 MM	2
5	90304-MEE-D00	NUT, TOP BRIDGE.....	1	21	90526-NN4-C10	WASHER.....	1
6	53215-MEE-D00	WASHER, TOP BOLT.....	1	22	90121-NN4-C10	BOLT 6X10	1
7	53100-NN4-K20	PIPE, STRIG HANDLE "RENTHAL"	1	23	45468-NN2-000ZA	BRAKE HOSE GUIDE (BLACK)	1
8	96600-080-2810	SOCKET BOLT 8X28	2	24	61391-NN4-C10	STAY LH H/L CASE	1
9	53230-NN4-K10	TOP BRIDGE FORK (BLACK)	1	25	61390-NN4-C10	STAY RH H/L CASE	1
10	38500-GC7-612	RELAY ASSY. START	1	26	93913-14180	SCREW 4X10.....	1
11	38300-NN4-G10	RELAY, ASSY. WINKER	1	27	90506-NN4-C10	COLLAR.....	2
12	34901-NN2-900	BULB, HEAD LIGHT	1	28	90206-NN4-C10	NUT HEX 6 MM	2
13	33100-NN4-C10	LIGHT ASSY. HEAD	1	29	90120-NN4-C10	BOLT 6X20	2
14	37200-NN4-M10	SPEEDOMETER EURO 4	1	30	93913-15280	BOLT 5X12	2
15	61319-NN4-M10	SPEEDOMETER STAY	1	31	61313-NN4-C10	STAY RH HEAD LIGHT	1
16	90129-NN4-C10	BOLT BZ 4,2X16 (DIN 7981)	10	32	61320-NN4-C10	VISOR H/L RED	1

Block No.

F-04 (2ED)

Steering handle pipe
Top bridge
Head light

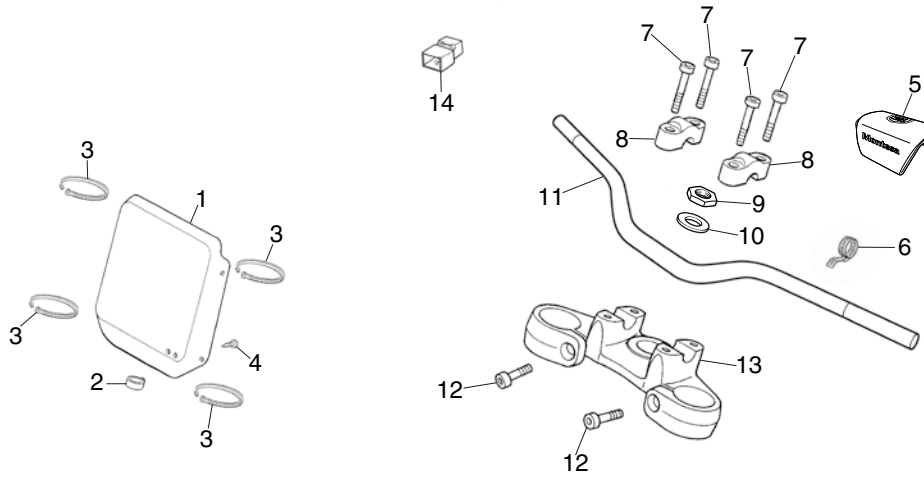


Ref.No.	Part No.	Description	Qty. '18	Ref.No.	Part No.	Description	Qty. '18
33	61310-NN4-C10ZB	CASE GEAD LIGHT BLACK	1				
34	94050-10000	NUT FLANGE 10 MM	2				
35	88100-NN4-H11	REAR VIEW MIRROR.....	2				
36	90512-NN4-L80	WASHER, 5,3x15.....	2				
37	64615-KR1-860	RUBBER	2				

Block No.

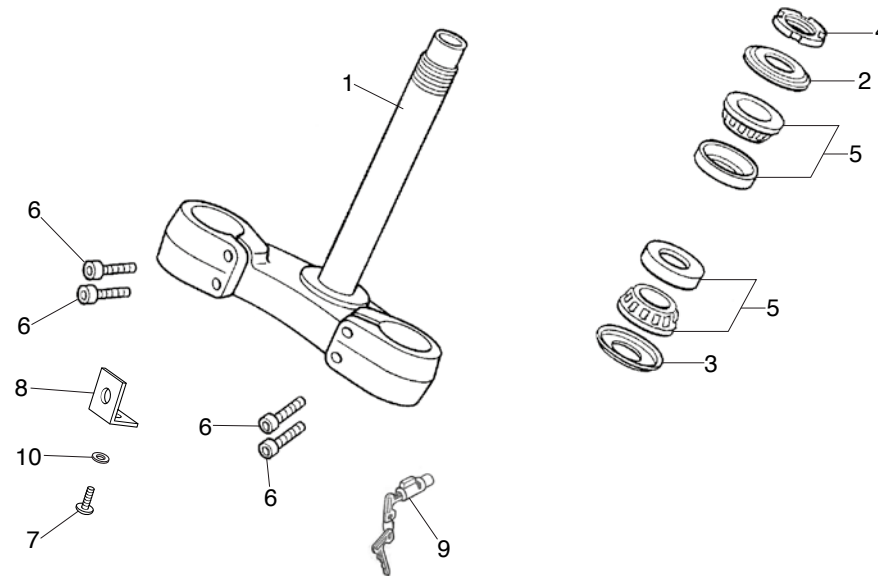
F-04 (4ED)

Steering handle pipe
Top bridge



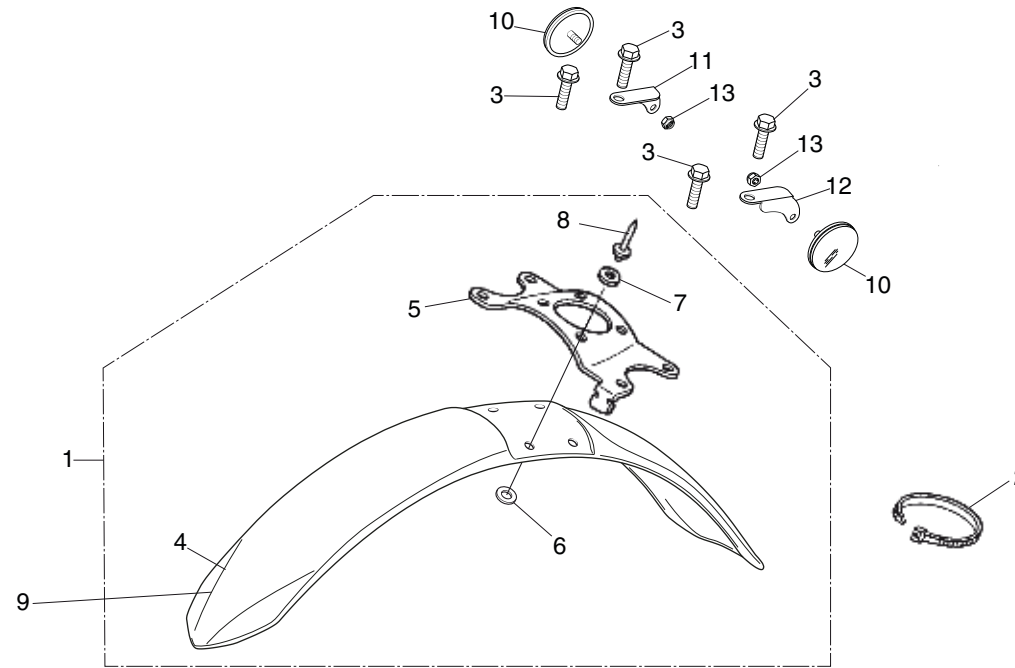
Ref.No.	Part No.	Description	Qty. '18	Ref.No.	Part No.	Description	Qty. '18
1	61301-NN3-000	PLATE NUMBER	1				
2	45468-NN2-000ZB	GUIDE, BRK HOSE	1				
3	61312-NN2-900	TIE BAND	4				
4	93913-14180	SCREW, TAPPING 4X10	1				
5	53121-NN4-L60	PAD PROTECTOR "S3"	1				
6	90602-NN4-600	TIE-BAND 150mm	1				
7	90124-KZ4-J40	BOLT, HEX. M8X35	4				
8	53131-NN4-J10	HOLDER, (HANDLE PIPE) UPPER	2				
9	90304-MEE-D00	NUT, TOP BRIDGE.....	1				
10	53215-MEE-D00	WASHER, TOP BOLT.....	1				
11	53100-NN4-K20	PIPE, STRIG HANDLE "RENTHAL"	1				
12	96600-080-2810	SOCKET BOLT 8X28	2				
13	53230-NN4-K10	FORK TOP BRIDGE (BLACK)	1				
14	38500-GC7-612	RELAY ASW. START	1				

Block No.
F-05
 Steering stem



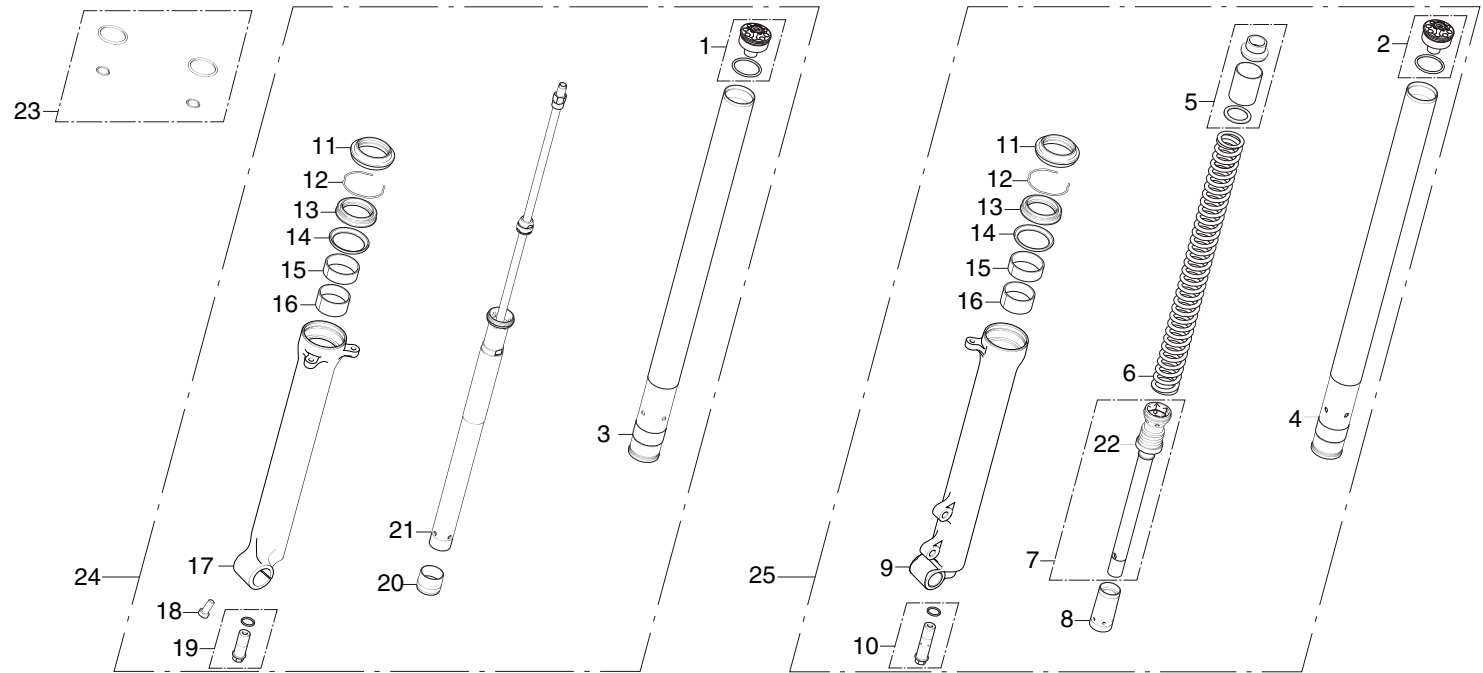
Ref.No.	Part No.	Description	Qty. '18	Ref.No.	Part No.	Description	Qty. '18
1	53200-NN4-K10	STEM COMP., STRG (BLACK).....	1				
2	53214-KCY-671	DUST SEAL	1				
3	53214-KA4-701	DUST SEAL	1				
4	53229-NN4-G00	THREAD, STRG	1				
5	91015-425-831	BEARING, HEAD PIPE UP.....	2				
6	96600-08025-10	SOCKET BOLT, 8X25.....	4				
7	90114-NN4-C10	BRAKE PLATE, BOLT	1				
8	61315-NN4-C10	HEAD CASE, BRAKE PLATE (2ED).....	1				
9	53600-NN4-J10	LOCK COMP. HANDLE (2ED)	1				
10	90525-NN4-C10	WASHER 5MM (4ED).....	1				

Block No.
F-06
Front fender



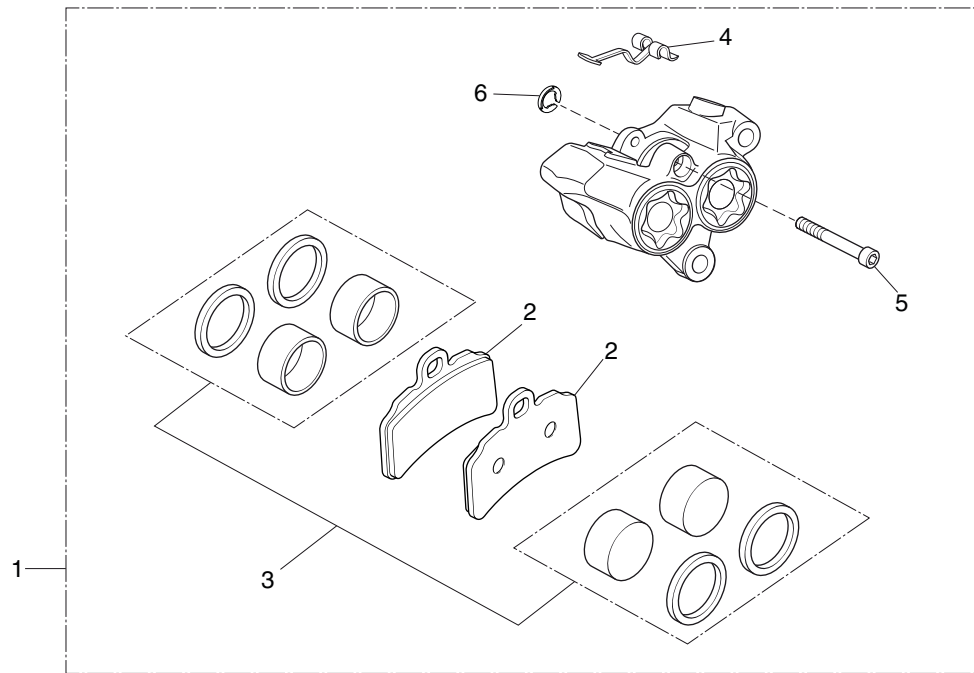
Ref.No.	Part No.	Description	Qty. '18	Ref.No.	Part No.	Description	Qty. '18
1	61100-NN4-N60	FENDER COMP., FR (RED)	1				
2	90602-NN4-600	TIE-BAND BLACK 150mm	1				
3	96001-06014-00	BOLT, FLANGE SH 6X14	4				
4	61050-NN4-N60	FRONT FENDER WITH DECALS	1				
5	61105-NN4-L60	STAY FRONT FENDER (BLACK).....	1				
6	61102-NN3-820	SPECIAL WASHER.....	4				
7	94101-05000	WASHER, PLAIN 5 mm	4				
8	90851-NN4-B00	RIVET 4,8 x 14 mm.....	4				
9	61101-NN4-K10ZA	FRONT FENDER (RED) WITHOUT DECALS	1				
10	33741-NN4-M11	REFLEX REFLECTOR.....	2				
11	33742-NN4-M10	STAY RH REFLECTOR.....	1				
12	33743-NN4-M10	STAY LH REFLECTOR.....	1				
13	90201-NN4-600	NUT M4	2				

Block No.
F-07
Front fork (Tech)



Ref.No.	Part No.	Description	Qty. '18	Ref.No.	Part No.	Description	Qty. '18
1	51450-NN4-L61	GROUP TOP CAP EXTENSION.....	1	17	51420-NN4-L61	CASE, RH. BOTTOM.....	1
2	51550-NN4-L61	GROUP TOP CAP PRELOAD SPRING.....	1	18	90116-NN4-M11	BOLT, SOCKET, 8mm.....	1
3	51410-NN4-L61	PIPE COMP., RH. FR FORK.....	1	19	51441-NN4-J11	GROUP LOCK SCREW HYDRAULIC PUMP.....	1
4	51510-NN4-L61	PIPE COMP., LH. FR FORK.....	1	20	51421-NN4-J11	PLATE, CENTERING.....	1
5	51502-NN4-M61	GROUP SPACERS SPRING.....	1	21	51430-NN4-M61	DAMPER COMP., RH. FR.....	1
6	51501-NN4-M61	FORK SPRING.....	1	22	51437-NN4-L61	RING, PISTON.....	1
7	51530-NN4-L61	CYLINDER COMP., FR.....	1	23	51458-NN4-L61	GROUP RINGS SEAL.....	1
8	51531-NN4-L61	CONE LIMIT LEFT.....	1	24	51400-NN4-M61	FORK ASSY., RH. FR.....	1
9	51520-NN4-L61	CASE, LH. BOTTOM.....	1	25	51500-NN4-M61	FORK ASSY., LH. FR.....	1
10	51541-NN4-J11	NEEDLE REGULATION GROUP.....	1				
11	51422-NN4-L10	SEAL, DUST.....	2				
12	51447-NN4-J11	RING, OIL SEAL STOP.....	2				
13	51425-NN4-J11	SEAL, OIL.....	2				
14	51412-NN4-J11	RING STOP BUSHING OIL SEAL.....	2				
15	51415-NN4-J11	BUSH.....	2				
16	51414-NN4-J11	BUSH.....	2				

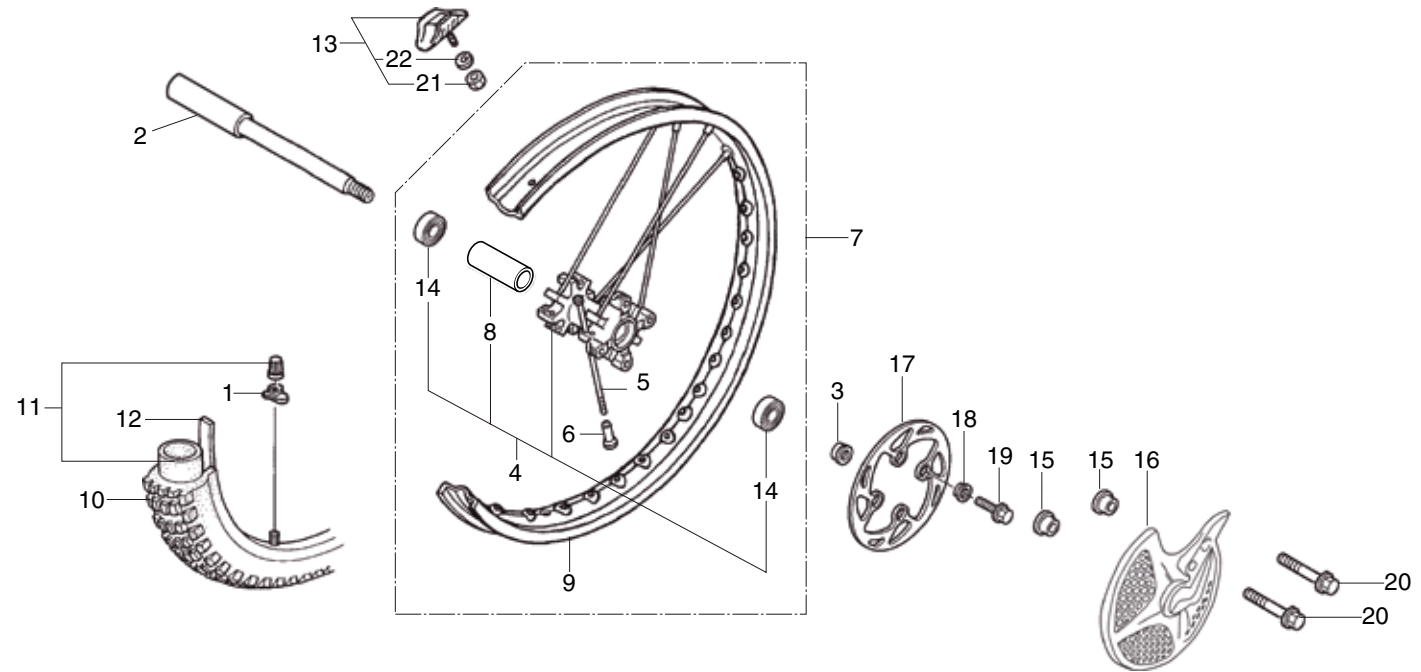
Block No.
F-08
 Front brake caliper



FR.

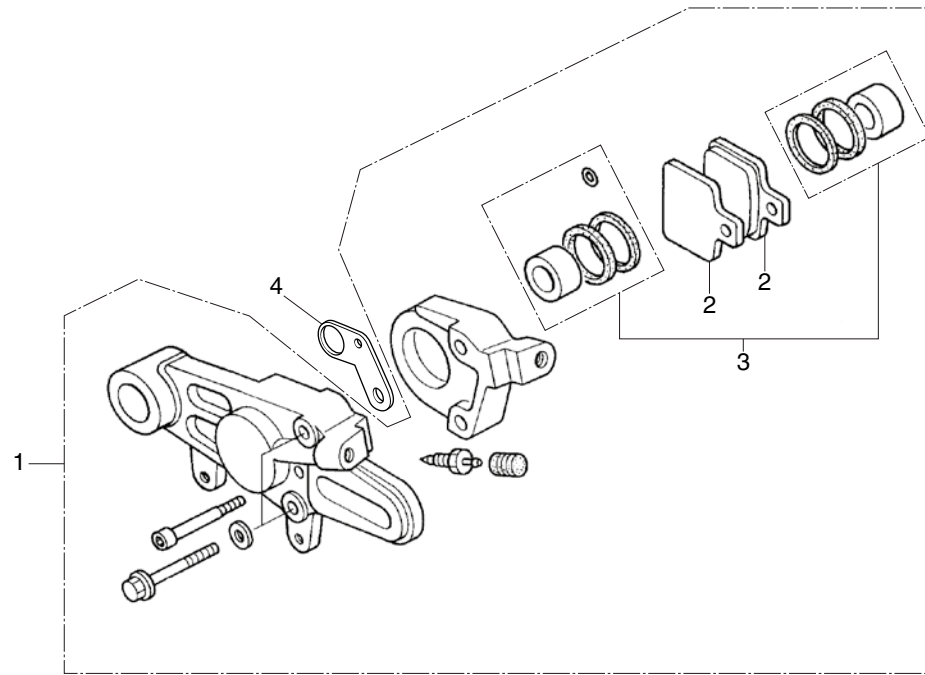
Ref.No.	Part No.	Description	Qty. '18	Ref.No.	Part No.	Description	Qty. '18
1	45100-NN4-N60	CALIPER ASSY., FR (RED CAPS)	1				
2	45105-NN4-N20	PAD COMP., FR	2				
3	45120-NN4-N20	PISTON SET, FR CALIPER	1				
4	45108-NN4-N20	SPRING	1				
5	45109-NN4-N20	PAD PIN	1				
6	90651-NN4-N20	CIRCLIP	1				

Block No.
F-09
Front wheel



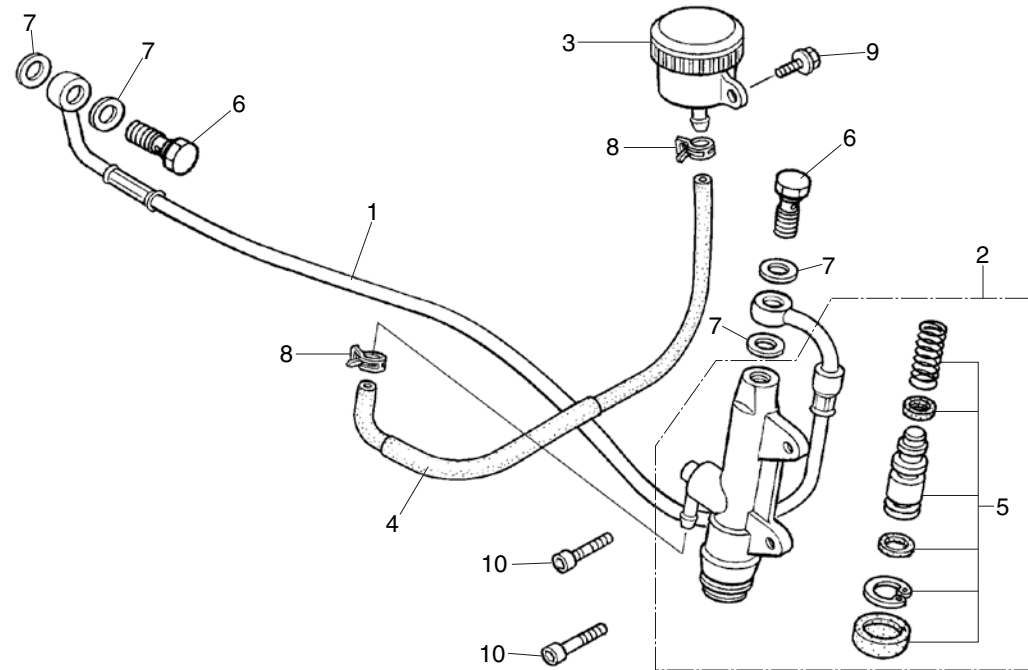
Ref.No.	Part No.	Description	Qty. '18	Ref.No.	Part No.	Description	Qty. '18
1	42714-KA3-710	CAP, VALVE.....	1	17	45351-NN4-000	DISK, FR BRAKE	1
2	44301-NN4-J10	AXLE, FR WHEEL	1	18	45352-NN4-000	COLLAR, FR DISK.....	4
3	44311-NN4-000	COLLAR L., FR WHEEL.....	1	19	90026-RYX-000	BOLT, BRK DISK 6X16.....	4
4	44602-NN4-L60	BLACK HUB ASSY., FR WHEEL.....	1	20	96300-08032-00	BOLT, SOCKET 8X32.....	2
5	44603-NN4-H01	SPOKE, FR	32	21	94001-08000-0S	NUT, HEX M8.....	1
6	44608-KZ4-J40	NIPPLE, SPOKE	32	22	94111-08000	WASHER, SPRING 8mm	1
7	44650-NN4-L60	RIM ASSY., FR.....	1				
8	44620-NN4-J10	COLLAR, FR WHEEL DIST	1				
9	44701-NN4-L61	RIM, FR WHEEL	1				
10	44711-NN4-003	TIRE, FRONT (NOT SALE)	1				
11	----	TUBE (NOT SALE)	1				
12	44713-KR9-008	RIM, BAND (NOT SALE)	1				
13	44715-MA0-770	STOPPER, 1.60 BEAD.....	1				
14	96150-60040-10	BEARING, BALL RADIAL 6004.....	2				
15	45331-NN3-830	COLLAR.....	2				
16	45332-NN4-J10	COVER, FR DISK.....	1				

Block No.
F-10
 Rear brake caliper



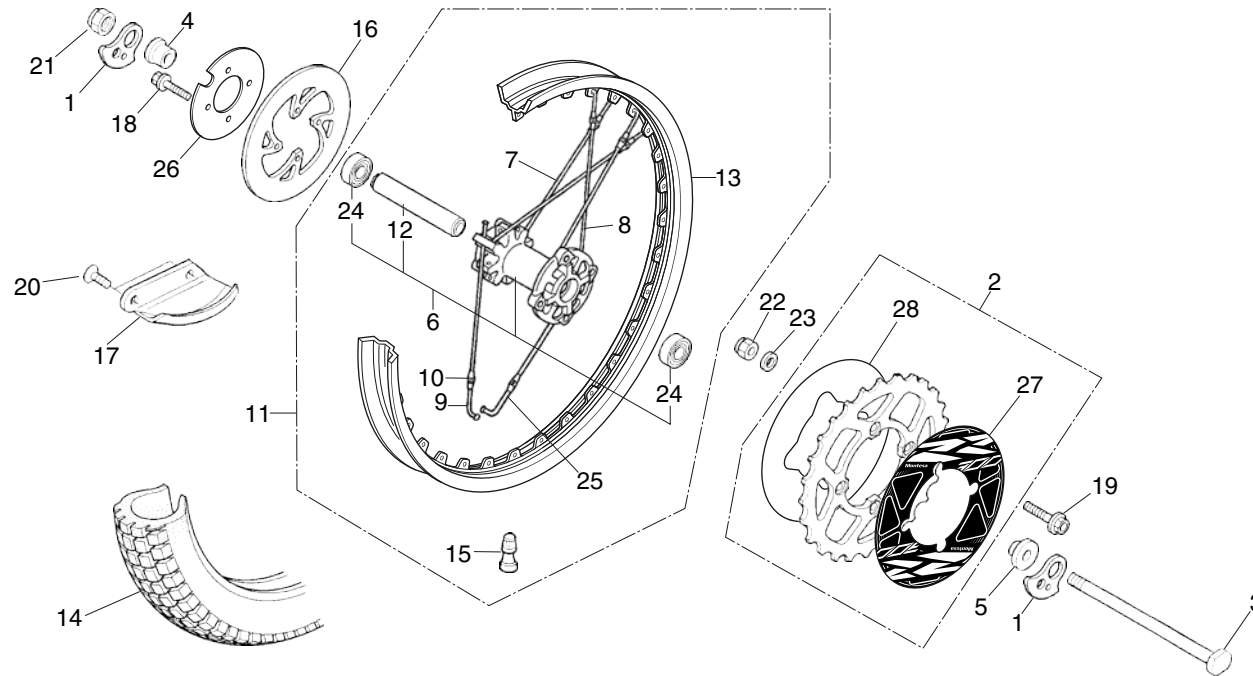
Ref.No.	Part No.	Description	Qty. '18	Ref.No.	Part No.	Description	Qty. '18
1	43100-NN4-N30	CALIPER ASSY., RR	1				
2	43105-NN3-830	PAD COMP., RR.....	2				
3	43120-NN3-305	PISTON SET, RR CALIPER.....	1				
4	37715-NN4-J10	PLATE, SPEED SENSOR.....	1				

Block No.
F-11
Rear brake master cylinder



Ref.No.	Part No.	Description	Qty. '18	Ref.No.	Part No.	Description	Qty. '18
1	43310-NN4-J11	HOSE, RR BRAKE	1				
2	43500-NN4-K11	M/C ASSY., REAR.....	1				
3	43510-NN2-900	TANK ASSY., RESERVE.....	1				
4	43511-NN4-000	TUBE COMP., RR M/C.....	1				
5	43520-NN4-K10	PISTON SET, RR M/C.....	1				
6	90145-NN4-J10	OIL BOLT, 10X21	2				
7	90545-NN4-J10	WASHER, OIL BOLT	4				
8	95002-NN4-J10	CLAMP, D8.5 TUBE	2				
9	96001-06012-00	BOLT, FLANGE SH 6X12	1				
10	96600-06022-00	SOCKET BOLT, 6X22.....	2				

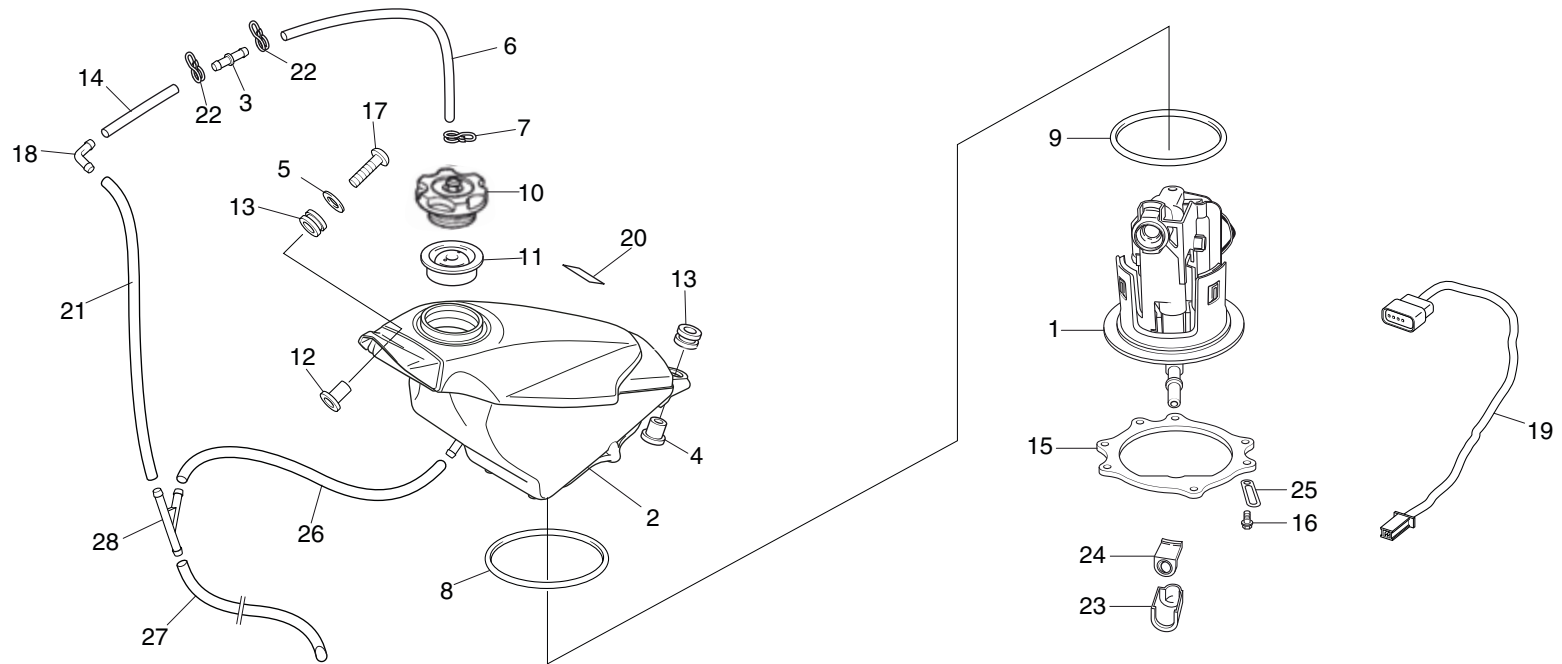
Block No.
F-12
Rear wheel



Ref.No.	Part No.	Description	Qty. '18	Ref.No.	Part No.	Description	Qty. '18
1	40544-NN4-C00	ADJUSTER, CHAIN	2	17	43330-NN4-J10	COVER, RR DISK.....	1
2	41201-NN4-M60	41T SPROKET FINAL DRIVEN	1	18	90105-NN4-D00	BOLT, BRK DISK 6X18.....	4
3	42301-NN3-000	AXLE, RR WHEEL.....	1	19	90125-KZ4-J40	BOLT, SH DR 8X22	4
4	42311-NN4-H00	COLLAR RH., RR WHEEL	1	20	90132-NN2-900	SCREW, 6X12	2
5	42312-NN4-H00	COLLAR LH., RR WHEEL.....	1	21	90305-NN2-900	NUT, AXLE	1
6	42602-NN4-L60	HUB ASSY., WHEEL (BLACK)	1	22	90309-ML3-791	NUT, U 8mm	4
7	42603-NN4-H01	SPOKE RH., RR WHEEL.....	16	23	90401-NN4-000	WASHER, PLAIN, 8mm	4
8	42604-NN4-H01	SPOKE LH., RR WHEEL.....	16	24	96150-60040-10	BEARING, BALL RADIAL 6004.....	2
9	42605-NN4-H01	SPOKE S, RR WHEEL (RIGHT).....	16	25	42606-NN4-H01	SPOKE S, L , RR WHEEL	16
10	42607-NN4-H00	NIPPLE, RR WHEEL	32	26	42515-NN4-J10	SPEED SENSOR PULSER (2ED)	1
11	42650-NN4-L60	RIM ASSY., RR	1	27	87149-NN4-M60	41T OUTER SPROKET STICKER	1
12	42620-NN4-H00	COLLAR, RR WHEEL DIST.....	1	28	87148-NN4-M60	41T INNER SPROKET STICKER	1
13	42701-NN4-L61	RIM, RR WHEEL	1				
14	----	TIRE, RR (NOT SALE).....	1				
15	42753-KBS-901	VALVE, RIM TR412	1				
16	43121-NN4-C00	DISK, RR BRAKE.....	1				

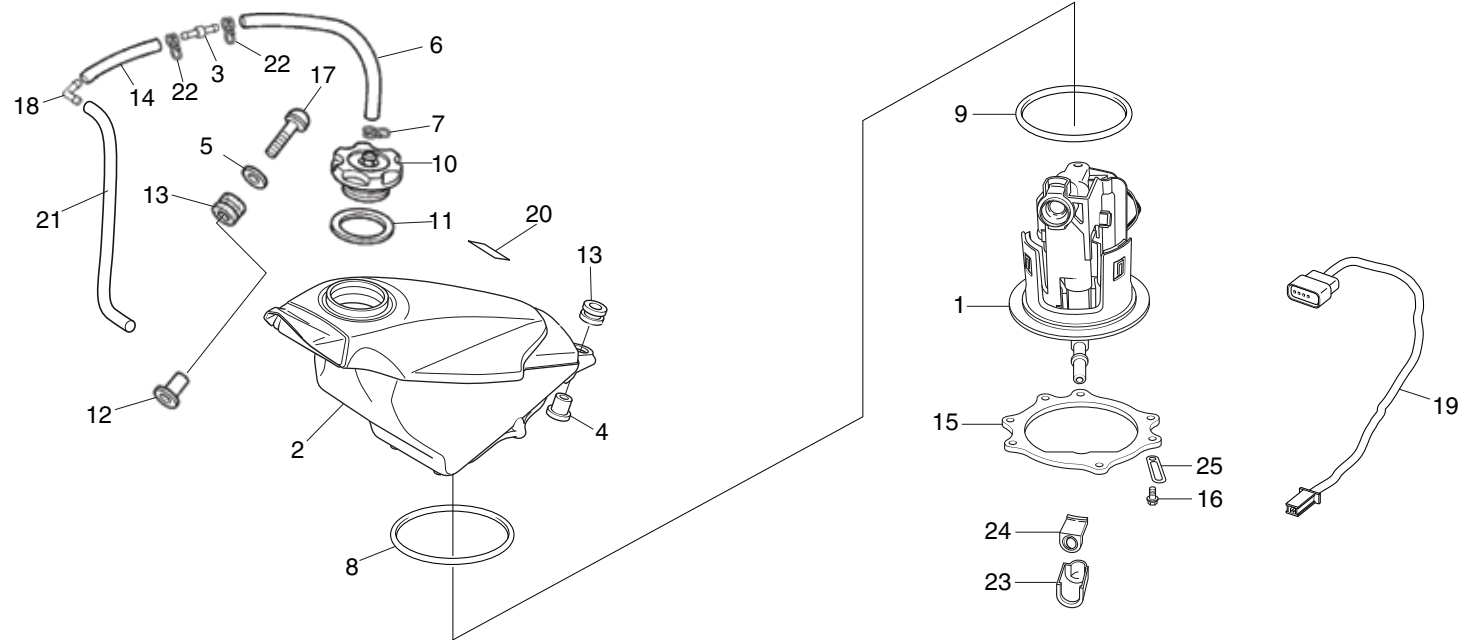
Block No.
F-13 (2ED)

Fuel tank
Fuel pump



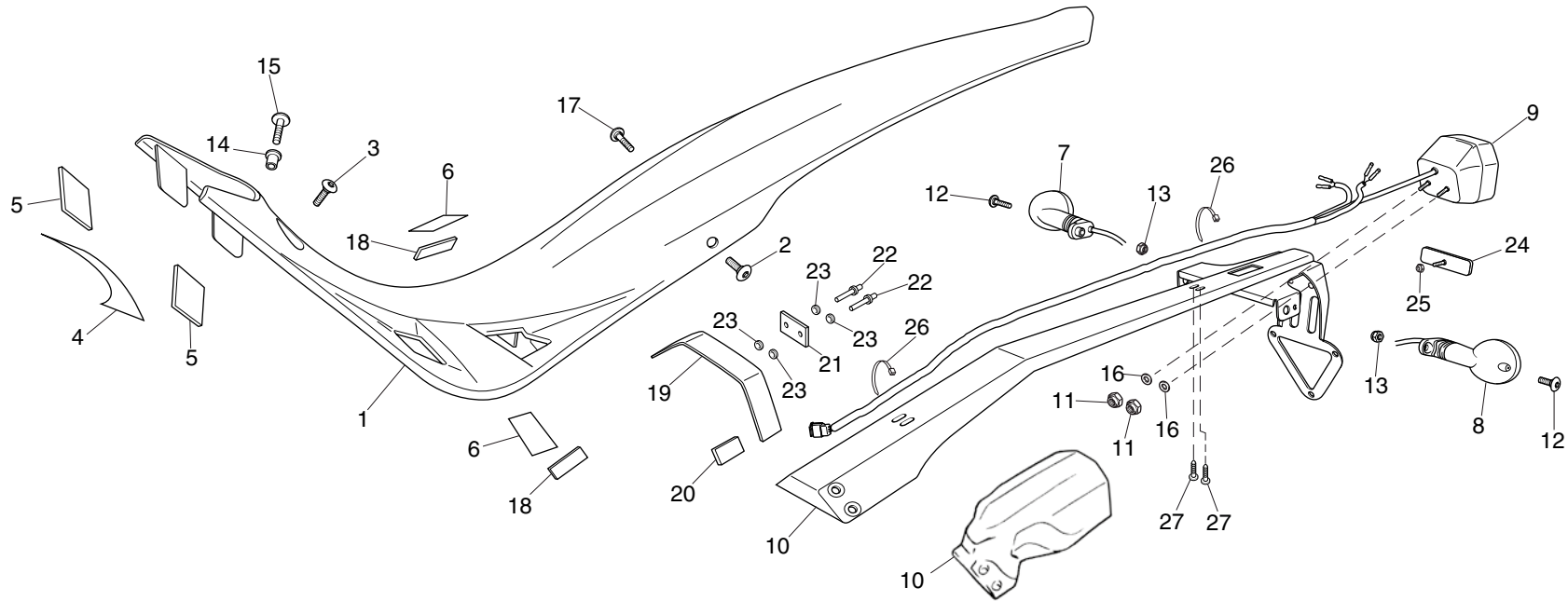
Ref.No.	Part No.	Description	Qty. '18	Ref.No.	Part No.	Description	Qty. '18
1	16700-NX7-003	UNIT ASSY., FUEL PUMP.....	1	17	90115-NN4-000	BOLT, SPL, 6X27	1
2	17500-NN4-N60	SET, FUEL TANK.....	1	18	19114-NN4-600	JOINT 2 WAY	1
3	17625-NF4-003	VALVE	1	19	32103-NN4-L10	SUB HARNESS FUEL PUMP	1
4	17509-NN4-000	COLLAR, TANK SET	1	20	87586-MKF-D40	LABEL, E10/95+ FUEL	1
5	90501-NN4-G00	WASHER 6 MM	1		87586-NN4-N10	LABEL, E5/E10/95+ FUEL	1
6	17523-NN4-G00	TUBE, FUEL CAP BREATHER	1	21	17521-NN4-M10	DRAIN TUBE A	1
7	95002-02129	CLIP B12.....	1	22	95002-02100	CLIP B10.....	2
8	16712-MEN -A30	O-RING 2,4X88,4.....	1	23	17575-MEN -A30	COVER, FUEL CONNECTOR	1
9	16711-MEN-A30	O-RING 3,7X73,9.....	1	24	17576-MEN -A30	RUBBER, FUEL CONNECTOR.....	1
10	17621-NN4-M10	FUEL CAP.....	1	25	90106-KJ6-740	CLIP TUBE.....	1
11	17624-NN4-M10	PACKING, FUEL CAP	1	26	17524-NN4-M10	DRAIN TUBE B	1
12	61104-357-000	COLLAR, FR FENDER	1	27	17522-NN4-M10	DRAIN TUBE C	1
13	64615-KR1-860	RUBBER, LWR COWL MOUNT.....	2	28	16180-ML6-671	3 WAY JOINT	1
14	95005-55035-20	TUBE 5,3 x 35.....	1				
15	17519-NN4-L10	PLATE,FUEL PUMP	1				
16	90106-KRN-000	BOLT,FLANGE 5X12	7				

Block No.
F-13 (4ED)
Fuel tank
Fuel pump



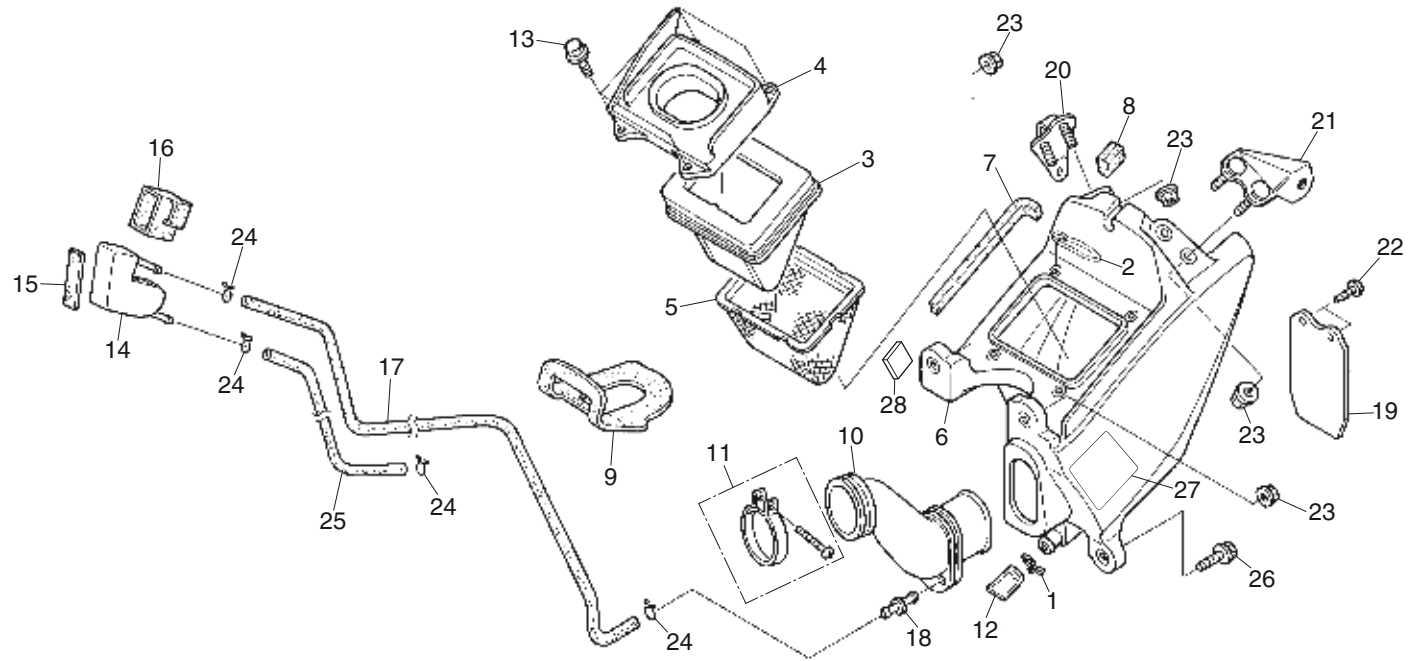
Ref.No.	Part No.	Description	Qty. '18	Ref.No.	Part No.	Description	Qty. '18
1	16700-NX7-003	UNIT ASSY., FUEL PUMP.....	1	17	90115-NN4-000	BOLT, SPL, 6X27	1
2	17500-NN4-N70	SET, FUEL TANK (WITH STRIP MONTESA)	1	18	19114-NN4-600	JOINT 2 WAY	1
3	17625-NF4-003	VALVE	1	19	32103-NN4-L10	SUB HARNESS FUEL PUMP	1
4	17509-NN4-000	COLLAR, TANK SET	1	20	87586-MKF-D40	LABEL, E10/95+ FUEL	1
5	90501-NN4-G00	WASHER 6 mm.....	1		87586-NN4-N10	LABEL, E5/E10/95+ FUEL.....	1
6	17523-NN4-G00	TUBE, FUEL CAP BREATHER.....	1	21	17521-NN4-G00	TUBE, FUEL CAP BREATHER.....	1
7	95002-02129	CLIP B12.....	1	22	95002-02100	CLIP B10.....	2
8	16712-MEN -A30	O-RING 2,4X88,4.....	1	23	17575-MEN -A30	COVER, FUEL CONNECTOR	1
9	16711-MEN-A30	O-RING 3,7X73,9.....	1	24	17576-MEN -A30	RUBBER, FUEL CONNECTOR.....	1
10	17621-NN4-000	BODY, FUEL CAP	1	25	90106-KJ6-740	CLIP TUBE.....	1
11	17624-NN4-000	PACKING, FUEL CAP	1				
12	61104-357-000	COLLAR, FR FENDER	1				
13	64615-KR1-860	RUBBER, LWR COWL MOUNT.....	2				
14	95005-55035-20	TUBE 5,3 x 35.....	1				
15	17519-NN4-L10	PLATE,FUEL PUMP	1				
16	90106-KRN-000	BOLT,FLANGE 5X12	7				

Block No.
F-14
Rear fender



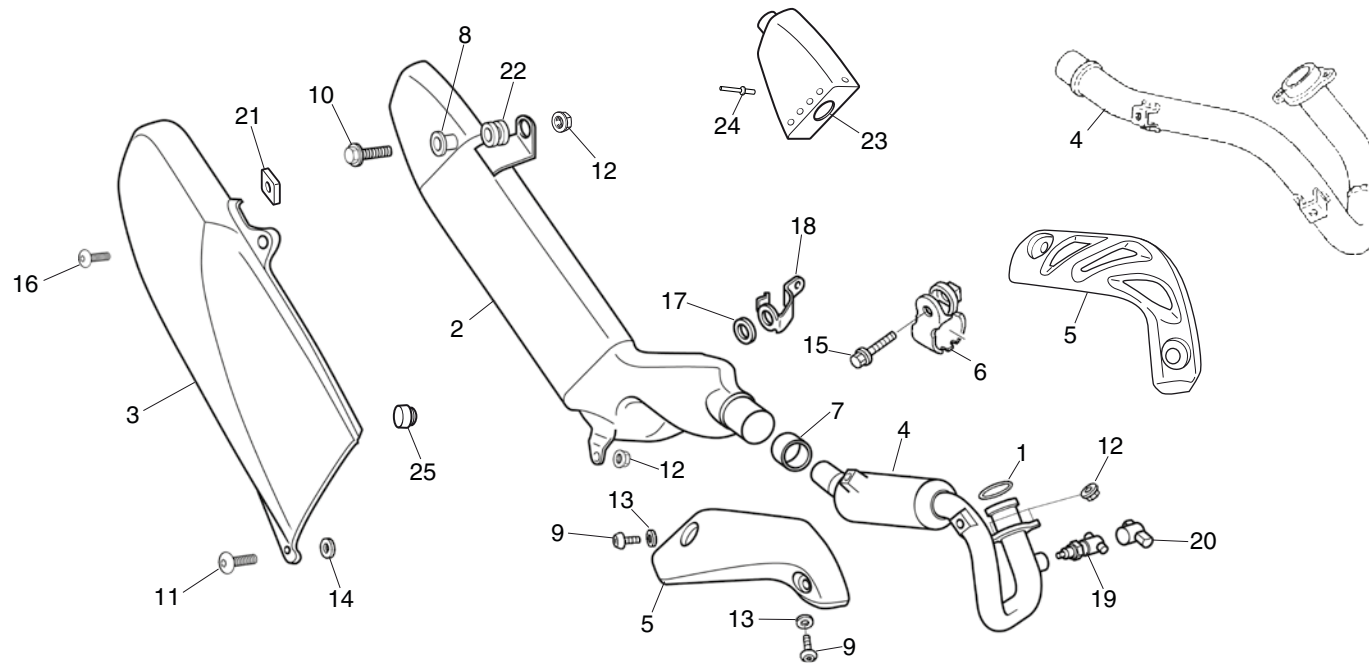
Ref.No.	Part No.	Description	Qty. '18	Ref.No.	Part No.	Description	Qty. '18
1	80101-NN4-J10ZA	FENDER COMP., REAR WITHOUT DECALS	1	15	90116-MAS-E00	BOLT 6x16	1
	80050-NN4-N60	FENDER COMP., REAR WITH DECALS	1	16	90525-NN4-C10	WASHER 5 mm	2
2	90106-KY2-701	SCREW, PAN 6X11	1	17	90107-NN4-J10	BOLT 6x15	1
3	90115-NN4-000	BOLT, SPL, 6X27	1	18	64246-MEW-920	SIDE PROTECTORS	2
4	80108-NN4-J10	FRONT PROTECTOR	1	19	80103-NN4-300	PROTECTOR	1
5	80105-NN4-300	SIDE PROTECTORS A	2	20	80104-NN4-300	PROTECTOR	1
6	80106-NN4-J10	SIDE PROTECTORS B	2	21	80102-NN4-300	PROTECTOR	1
7	33600-NN4-J10	WINKER ASSY. RIGHT REAR	1	22	90851-NN4-300	RIVET	2
8	33650-NN4-J10	WINKER ASSY. RIGHT LEFT	1	23	90503-NN4-300	WASHER	4
9	33700-NN4-J10	UNIT, TAIL LIGHT COMP.	1	24	33741-KEB-621	REAR REFLECTOR	1
10	80105-NN4-J10	BRACKET (2ED)	1	25	90205-NN4-J10	NUT	1
	80106-NN4-G30	BRACKET (4ED)	1	26	90602-NN4-600	TIE-BAND BLACK 150mm (2ED)	2
11	90201-NN4-600	NUT	2	27	90113-NN4-J10	SCREW-TAP 4,8X9,5	2
12	90108-NN4-600	WINKER, BOLT	2				
13	90206-NN4-C10	NUT	2				
14	80125-NN4-000	COLLAR	1				

Block No.
F-15
Air cleaner



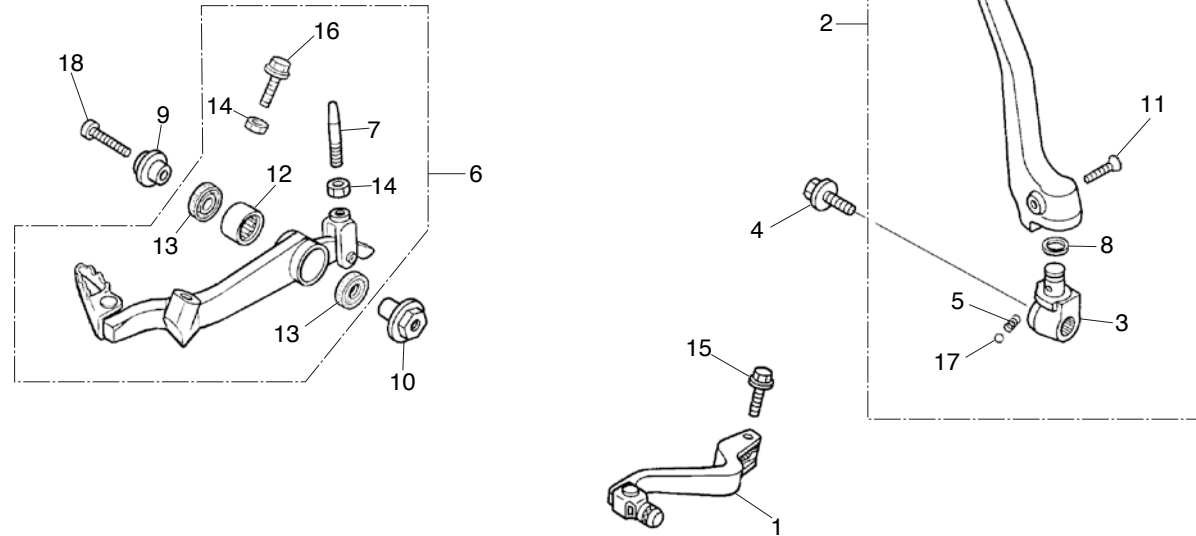
Ref.No.	Part No.	Description	Qty. '18	Ref.No.	Part No.	Description	Qty. '18
1	15707-634-000	CLIP, BREATHER TUBE	1	17	17554-NN4-000	TUBE, BREATHER A.....	1
2	90602-NN4-600	TIE-BAND BLACK 150mm	1	18	55102-166-000	JOINT, OIL TUBE	1
3	17211-NN4-000	ELEMENT, AIR/C	1	19	80110-NN3-000	MUD GUARD	1
4	17212-NN4-000	CAP, AIR/C CASE (4ED).....	1	20	80111-NN4-G10	STAY R., RR FENDER	1
5	17213-NN4-000	TRAP COMP, FLAME.....	1	21	80112-NN4-D00	STAY L., RR FENDER	1
6	17230-NN4-H00	CASE COMP, AIR/C.....	1	22	93913-14180	SCREW, TAPPING 4X10.....	2
7	17231-NN4-300	SEAL A, AIR/C CASE.....	1	23	94050-06000	NUT, FLANGE 6mm	6
8	17232-NN4-300	SEAL B, AIR/C CASE.....	1	24	95002-02100	CLIP B10, TUBE	4
9	17236-NN3-830	AIR GUARD	1	25	95005-55225-20	TUBE, 5.3X225	1
10	17253-NN4-000	TUBE, AIR/C CONN	1	26	95701-06025-00	BOLT, FLANGE 6X25	1
11	17255-KRJ-900	BAND, AIR/C CONNECTING TUBE	1	27	87560-NN4-K40	CAUTION LABEL (4ED) (ENGLISH)	1
12	17358-NN2-000	TUBE, DRAIN.....	1		87560-NN4-L30	CAUTION LABEL (4ED) (FRENCH).....	1
13	90108-GK1-000	BOLT, FLANGE SH 6X12	4	28	17234-NN4-300	SEAL C AIR/C CASE	1
14	17551-NN4-000	TANK, STORAGE.....	1				
15	17552-NN4-000	RUBBER STORAGE TANK	1				
16	17553-NN4-000	CUSHION STORAGE TANK.....	1				

Block No.
F-16
Exhaust muffler



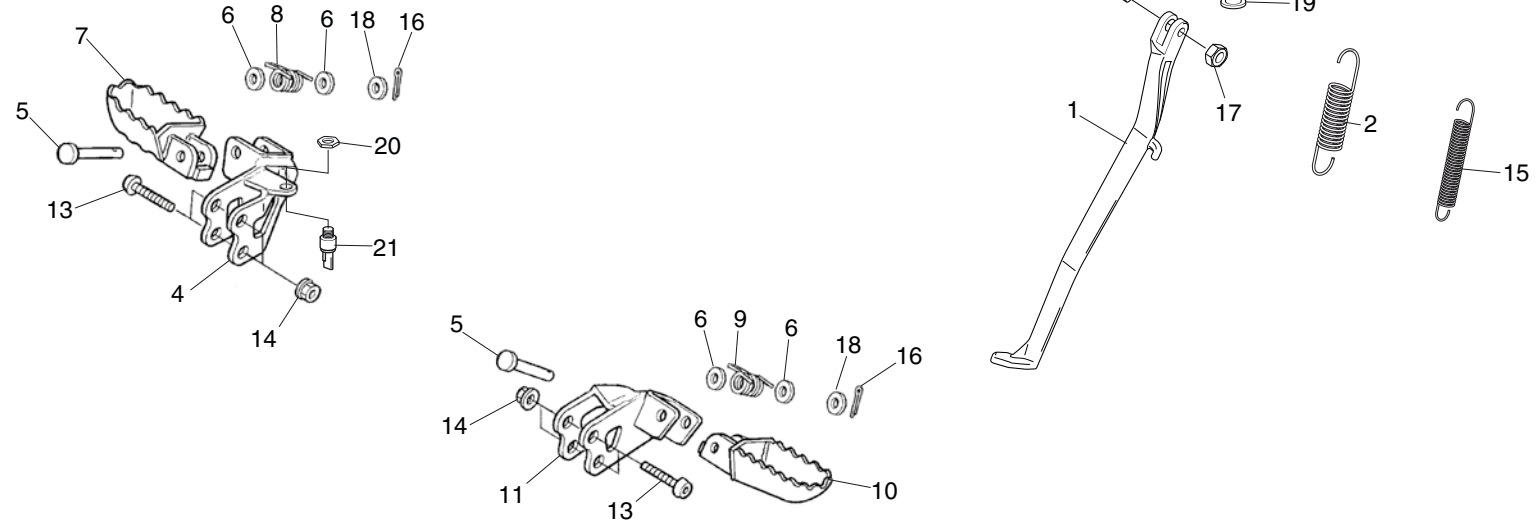
Ref.No.	Part No.	Description	Qty. '18	Ref.No.	Part No.	Description	Qty. '18
1	18291-NN4-000	GASKET, EXHAUST PIPE	1	14	90512-921-0100	WASHER, PLAIN 6mm	1
2	18310-NN4-M60	MUFFLER COMP. EXHAUST (2ED)	1	15	90216-MM9-000	BOLT, FLANGE DR 8X32	1
	18310-NN4-M70	MUFFLER COMP. EXHAUST (4ED)	1	16	90107-NN4-J10	SCREW, PAN 6x15	1
3	83510-NN4-L60	COVER RH. SIDE.....	1	17	83551-GE2-000	RUBBER SIDE COVER.....	1
4	18320-NN4-M60	EXHAUST PIPE COMP. (2ED)	1	18	80113-NN4-G10	STAY SIDE COVER	1
	18330-NN4-L70	EXHAUST PIPE COMP. (4ED)	1	19	36532-GFC-771	O2 SENSOR	1
5	18323-NN4-M10	PROTECTOR EXHAUST PIPE (2ED)	1	20	18383-NN4-G10	COVER O2 SENSOR	1
	18323-NN4-000	PROTECTOR EXHAUST PIPE (4ED)	1	21	83515-KZ3-700	RUBBER SIDE COVER.....	1
6	18373-MN1-670	BAND, MUFFLER	1	22	19051-KA3-830	RUBBER	1
7	18391-MB0-891	PACKING MUFFLER.....	1	23	18338-NN4-L40	CAP COMP. END. (4ED)	1
8	19052-MAC-680	COLLAR.....	2	24	18326-NN4-G10	RIVET., BLIND 4.0	5
9	90108-KGB-610	BOLT 6X8.....	2	25	83512-KA4-700	RUBBER	1
10	90115-MAS-E00	SPECIAL BOLT 6X37	1				
11	90106-NN4-J10	SCREW PAN 6X23.....	1				
12	94050-06000	NUT, FLANGE 6mm.....	4				
13	94101-06000	WASHER, PLAIN 6mm	2				

Block No.
F-17
 Pedal
 Kick starter arm



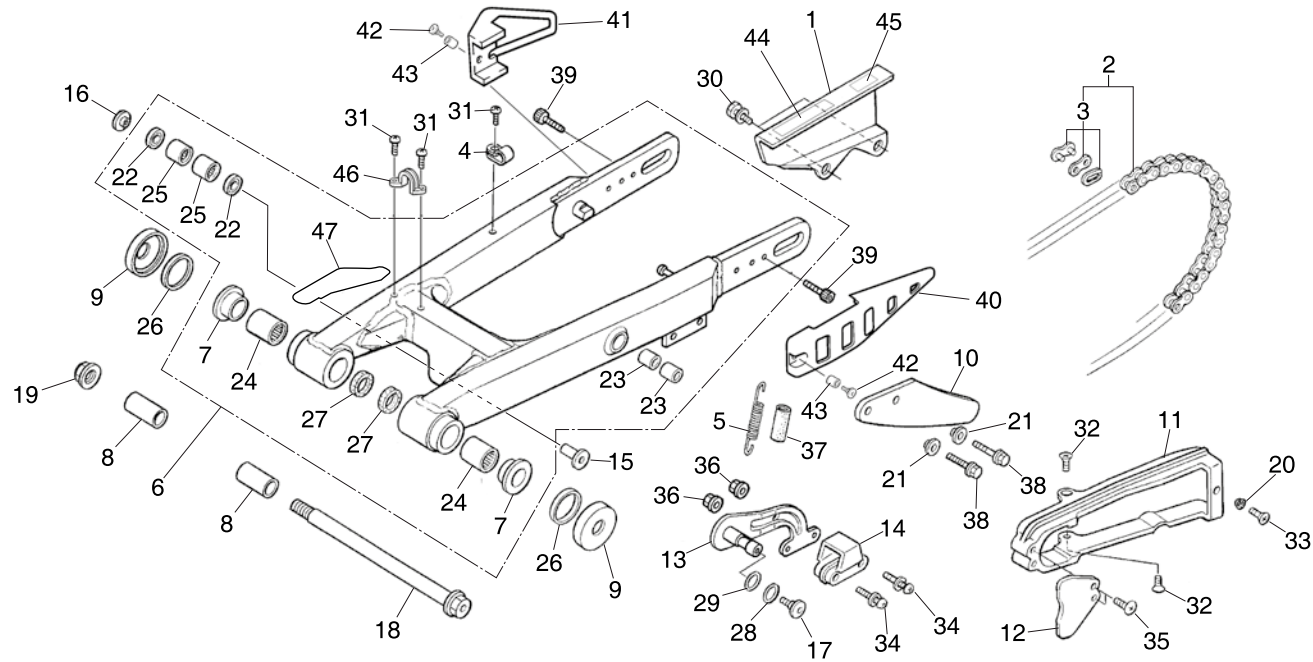
Ref.No.	Part No.	Description	Qty. '18	Ref.No.	Part No.	Description	Qty. '18
1	24700-NN4-L60	PEDAL COMP., CHANGE (BLACK).....	1	17	96211-08000	STEEL BALL 8	1
2	28300-NN4-L60	ARM ASSY., KICKSTARTER	1	18	96700-08032-10	BOLT, SOCKET 8X32.....	1
3	28302-NN4-000	JOINT, KICK ARM.....	1				
4	28306-MEN-670	BOLT	1				
5	28333-KK0-000	SPRING, KICKSTARTER ARM SET	1				
6	46500-NN4-M60	PEDAL ASSY., RR BRAKE (BLACK)	1				
7	46521-NN4-000	ROD, BRAKE	1				
8	46525-KK0-003	DUST SEAL 17X2.0X2.5	1				
9	46531-NN4-000	COLLAR A, RR BRAKE.....	1				
10	46532-NN4-000	COLLAR B, RR BRAKE	1				
11	90101-MAC-680	BOLT	1				
12	91001-GG2-003	BEARING, NEEDLE 12X18X12	1				
13	91201-951-003	OIL SEAL, 12X18X3.....	2				
14	94001-06000-0S	NUT, HEX 6mm.....	2				
15	96001-06022-00	BOLT, FLANGE SH 6X22	1				
16	96001-06018-00	BOLT, FLANGE SH 6X18	1				

Block No.
F-18
Stand
Step



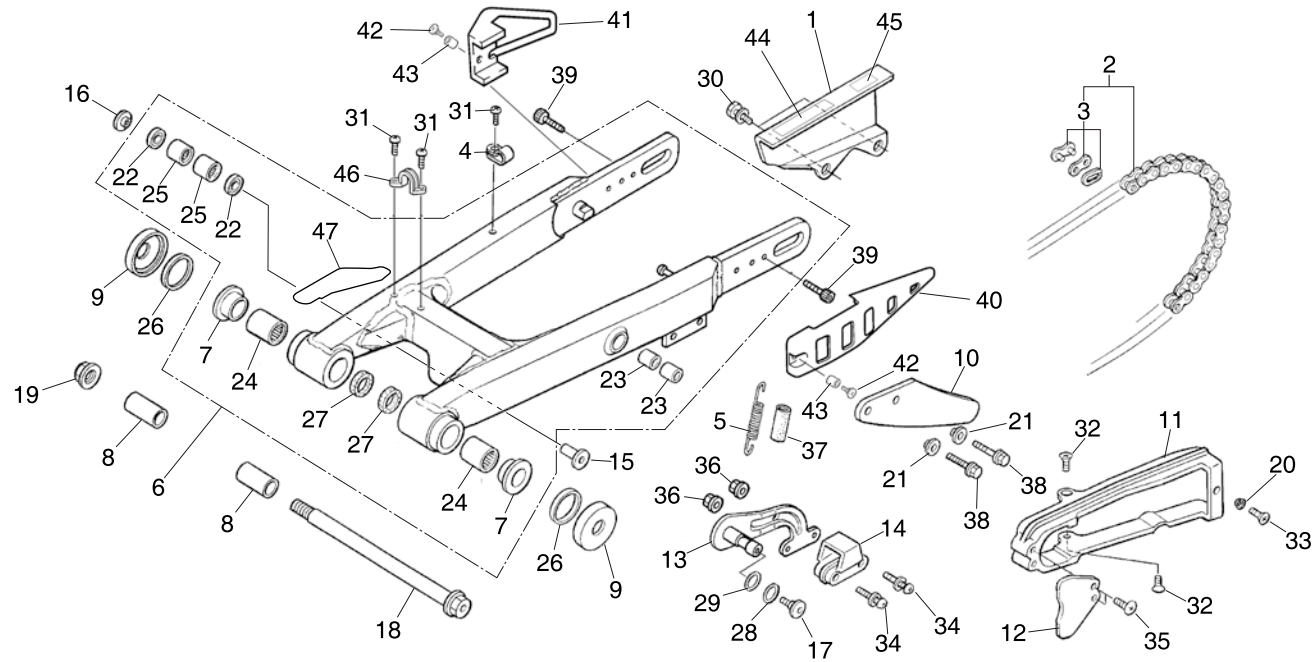
Ref.No.	Part No.	Description	Qty. '18	Ref.No.	Part No.	Description	Qty. '18
1	50530-NN4-N60	BAR COMP., SIDE STAND.....	1	17	90203-MF9-710	NUT, HEX 10mm.....	1
2	50541-MBL-610	EXTERNAL SPRING, SIDE STAND.....	1	18	94102-08000	WASHER, PLAIN 8mm.....	2
3	50536-NN4-N60	BRACKET, SIDE STAND.....	1	19	90105-KL8-741	BOLT, FLANGE DR.....	2
4	50600-NN4-L10	BRKT COMP., R. STEP (BLACK).....	1	20	35342-NN4-600	NUT REAR BRAKE SW (2ED).....	1
5	50603-MAK-000	PIN, P. STEP BAR.....	2	21	35350-NN4-600	SWITCH ASSY., REAR BRAKE (2ED).....	1
6	50602-NN4-J10	WASHER.....	4				
7	50616-NN4-L60	STEP RH RACE REPLICA (BLACK).....	1				
8	50617-NN4-J10	SPRING RH., STEP RETURN.....	1				
9	50618-NN4-J10	SPRING LH., STEP RETURN.....	1				
10	50642-NN4-L60	STEP LH RACE REPLICA (BLACK).....	1				
11	50700-NN4-L10	BRACKET COMP., L. STEP (BLACK).....	1				
12	90108-283-000	BOLT.....	1				
13	90128-428-020	BOLT, SOCKET 8X33.....	4				
14	90309-KF0-003	NUT, FLANGE 8mm.....	4				
15	50542-MBL-610	INTERNAL SPRING, SIDE STAND.....	1				
16	90751-MAK-000	PIN, SPLIT 2X16.....	2				

Block No.
F-19
Swingarm



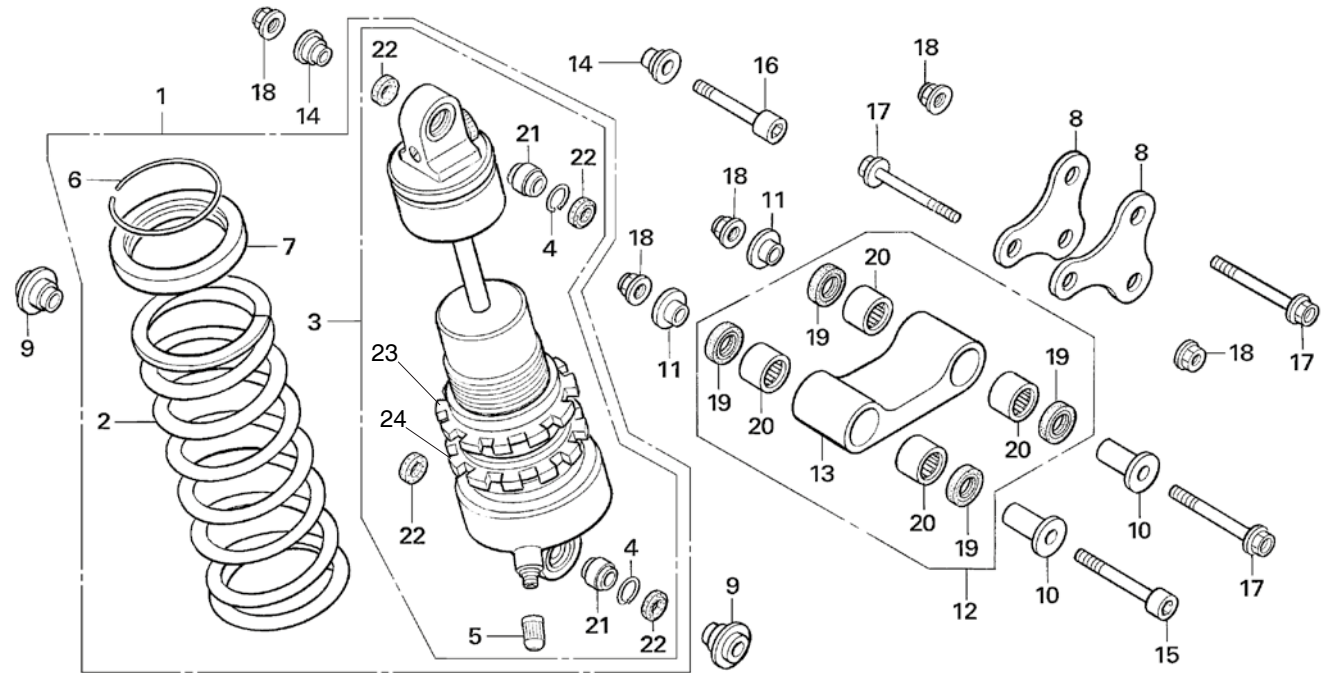
Ref.No.	Part No.	Description	Qty. '18	Ref.No.	Part No.	Description	Qty. '18
1	40510-NN3-000	CASE, DRIVE CHAIN	1	15	52463-NN3-010	COLLAR L., CUSH RINK	1
2	40530-NN2-000	DRIVE CHAIN FOR 41T SPROKET	1	16	52464-NN3-010	COLLAR R., CUSH RINK.....	1
3	40531-NN2-000	JOINT, DRIVE CHAIN.....	1	17	90102-GM2-000	BOLT, CHAIN TENSOR.....	1
4	90602-NN4-C10	CLIP SPDMT. CABLE (UC-3B) (2ED).....	1	18	90117-NN4-000	BOLT, SWINGARM PIVOT	1
	90602-NN4-G10	CLIP SPDMT. CABLE (UC-3B) (4ED).....	1	19	90201-GC4-000	NUT, FLANGE 14mm.....	1
5	46514-KY2-700	SPRING, BRAKE PEDAL RETURN.....	1	20	90502-NN4-000	WASHER SPL.....	1
6	52100-NN4-J10	SWINGARM ASSY. POLISHED (3ED).....	1	21	90503-KRN-000	WASHER, FENDER SETTING.....	2
	52100-NN4-J20	SWINGARM ASSY. BLACK (2ED / 4ED).....	1	22	91051-NN1-000	SEAL, BEARING 15X21X3.....	2
7	52109-KA4-701	BUSH, PIVOT THRUST	2	23	91052-NN0-000	BUSH, CHAIN TENSIONER.....	2
8	52141-NN2-000	COLLAR, RR FORK	2	24	91071-MA0-003	BEARING, PIVOT	2
9	52144-KA3-731	CAP, DUST SEAL	2	25	91071-NN1-000	BEARING, NEEDLE 15X21X12.....	2
10	52157-NN4-J10	PROTECTOR, SPRKT.....	1	26	91253-KA3-731	DUST SEAL 32X36.8X8.....	2
11	52170-NN4-000	SLIDER, CHAIN	1	27	91254-KS6-003	DUST SEAL 20X2.6X4.5.....	2
12	52171-NN3-000	COVER, SPRKT	1	28	91305-422-000	O-RING, 9.8X2.4.....	1
13	52181-NN4-000	TENSIONER COMP., CHAIN.....	1	29	91362-ZC3-000	O-RING, 13.8X2.4.....	1
14	52182-NN4-J10	SLIPPER, CHAIN TENS.....	1	30	93404-06014-00	BOLT-WASH, 6X14	2

Block No.
F-19
Swingarm



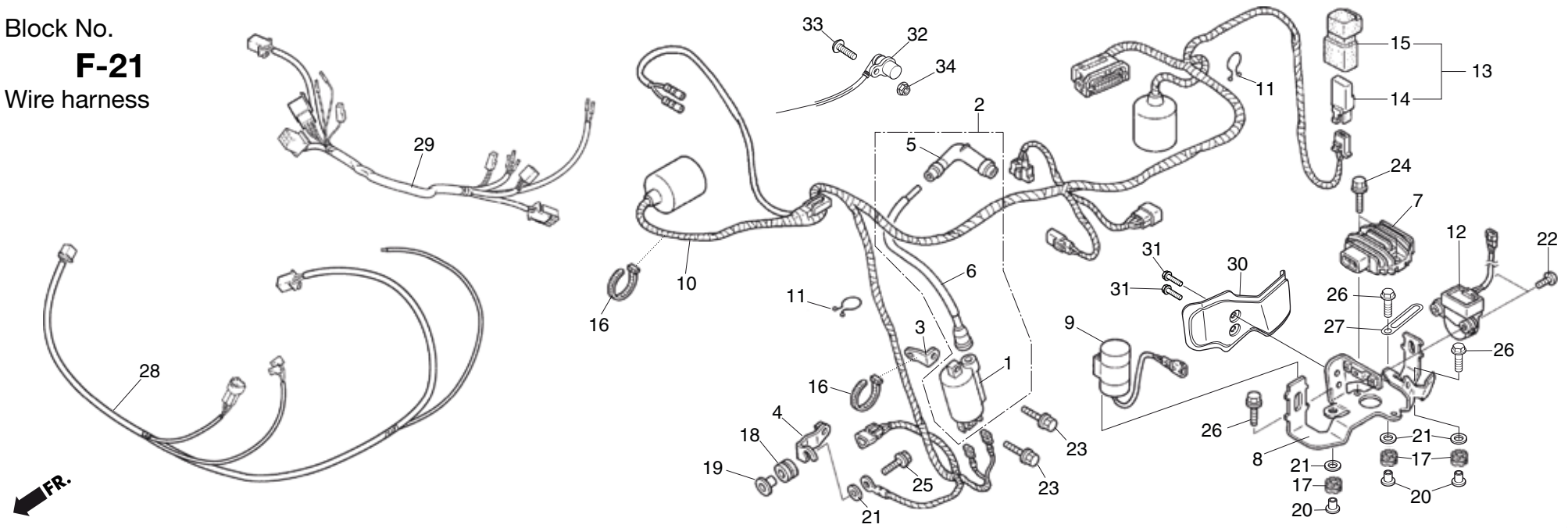
Ref.No.	Part No.	Description	Qty. '18	Ref.No.	Part No.	Description	Qty. '18
31	90104-ML7-920	SCREW, PAN 5X8.....	3	47	52143-NN4-J10	TAPE SWINGARM RR	1
32	93600-05012-0G	SCREW, FLAT 5X12.....	2				
33	93600-05016-0G	SCREW, FLAT 5X16.....	1				
34	90003-NN4-J10	SCREW 5X20.....	2				
35	93913-15280	SCREW, TAPPING 5X12.....	2				
36	94050-05000	NUT, FLANGE 5mm.....	2				
37	95003-43004-20	V.TUBE, 13X15X40	1				
38	96001-06012-00	BOLT, FLANGE SH 6X12	2				
39	96600-06010-10	BOLT, SOCKET 6X10.....	2				
40	40535-NN4-600	PROTECTOR, FINAL DRIVEN	1				
41	50535-NN4-600	PROTECTOR, REAR BRAKE.....	1				
42	90111-NN4-600	BOLT SOCKET 6x12.....	2				
43	90504-NN4-600	COLLAR.....	2				
44	87505-NN4-L10	LABEL, TIRE (2ED).....	1				
45	87507-NN4-H10	LABEL, DRIVE CHAIN	1				
46	43468-KZ3-B00	CLIP, RR BRK HOSE.....	1				

Block No.
F-20
Rear cushion (Showa)



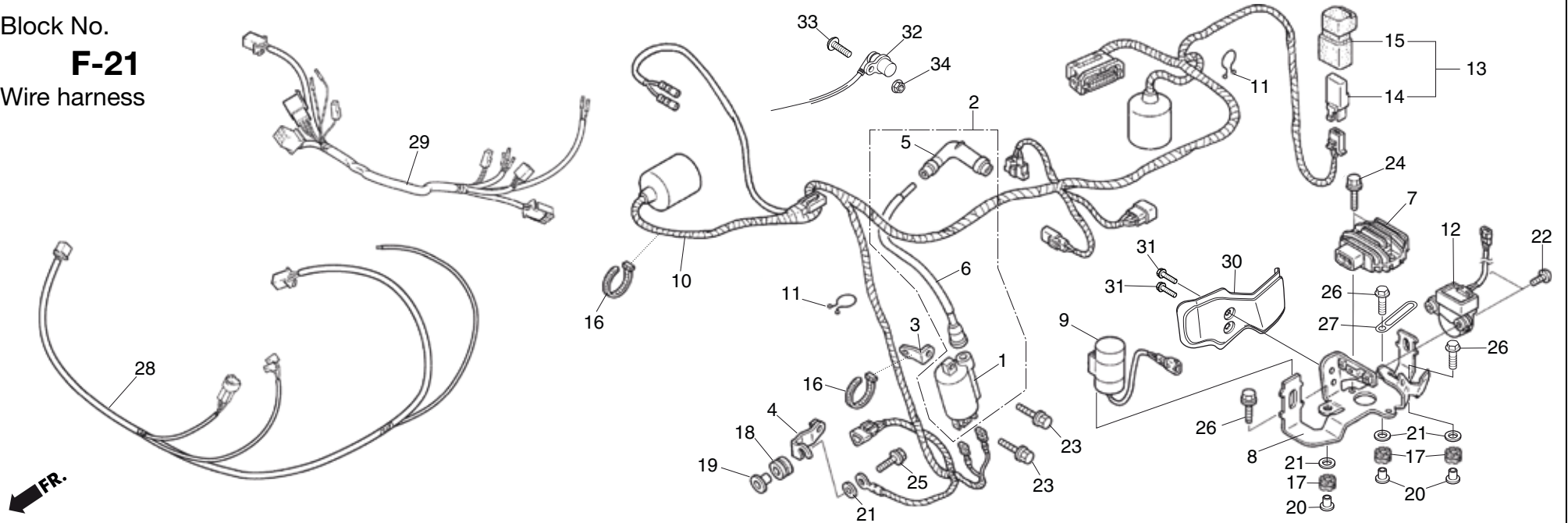
Ref.No.	Part No.	Description	Qty. '18	Ref.No.	Part No.	Description	Qty. '18
1	52400-NN4-G01	CUSHION ASSY., RR.....	1	17	90182-NN3-000	BOLT, FLANGE 10X57	3
2	52401-NN4-003	SPRING, REAR CUSH.....	1	18	90304-GA6-003	NUT, AXLE	5
3	52410-NN4-G01	DAMPER COMP., REAR	1	19	91051-NN1-000	SEAL, BEARING 15X21X3.....	4
4	52424-GC4-831	RING, STOPPER.....	2	20	91071-NN1-000	BEARING, NEEDLE 15X21X12.....	4
5	52425-169-003	CAP, AIR VALVE	1	21	91074-NN3-003	BEARING, SPHERICAL	2
6	52435-NN3-003	RING, STOPPER.....	1	22	91351-GS2-701	DUST SEAL, CUSHION UPPER	4
7	52459-NN3-003	SEAT, SPRING	1	23	52422-NX4-003	ADJUSTER, SPRING.....	1
8	52461-NN3-000	ARM, CUSH.....	2	24	52423-NX4-003	NUT, ADJUSTER.....	1
9	52462-NN3-000	COLLAR A, CUSH ARM	2				
10	52463-NN3-010	COLLAR LH., CUSH RINK.....	2				
11	52464-NN3-010	COLLAR RH., CUSH RINK	2				
12	52470-NN3-000	ROD ASSY., CUSH CONN.....	1				
13	52471-NN3-000	ROD, CUSH CONN	1				
14	52486-NN3-000	COLLAR, CUSH UP.....	2				
15	90120-NN3-000	BOLT, SOCKET 10X57.....	1				
16	90121-NN4-000	BOLT, SOCKET 10X45.....	1				

Block No.
F-21
Wire harness



Ref.No.	Part No.	Description	Qty. '18	Ref.No.	Part No.	Description	Qty. '18
1	30500-ML7-013	COIL COMP, IGNITION	1	17	77208-KW7-900	RUBBER B, SEAT MOUNT	3
2	30510-NN4-000	COIL ASSY., IGNITION	1	18	80101-028-940	RUBBER, SPDMT. SETTING	1
3	30513-NN4-000	STAY UP, IGNITION COIL	1	19	30507-NN4-H00	COLLAR, COVER SET	1
4	30514-NN4-000	STAY LWR, IGNITION COIL	1	20	90501-425-000	COLLAR, 6.2X12	3
5	30700-KA2-013	CAP ASSY., NOISE (SUPPRESSOR)	1	21	90525-030-000	WASHER B, HANDLE HOLDER	4
6	30731-NN4-000	CORD ASSY., HIGH/T	1	22	92101-04022-0A	BOLT 4X22	2
7	31600-NN4-003	REGULATOR. RECTIFIER. ASSY.	1	23	96001-06018-00	BOLT, FLANGE SH 6X18	2
8	31605-NN4-G10	STAY, ELECTRIC	1	24	96001-06020-00	BOLT, FLANGE SH 6X20	2
9	31700-NN4-003	UNIT ASSY., CONDENSER	1	25	96001-06022-00	BOLT, FLANGE SH 6X22	1
10	32100-NN4-G10	HARNESS, WIRE	1	26	96001-06022-00	BOLT, FLANGE SH 6X22	3
11	32171-GF9-621	PURSE LOCK	2	27	91410-KT7-000	CLIP 4X60	1
12	35160-NN4-003	SENSOR ASSY., BANK ANGLE	1	28	32102-NN4-M10	SUBHARNESS FRAME (2ED)	1
13	38500-GC7-612	RELAY ASSY., START	1	29	32101-NN4-J10	SUBHARNESS (H/L) (2ED)	1
14	38501-GN2-014	RELAY COMP, START (4P, NO)	1	30	31606-NN4-G10	STAY, ELECTRIC COVER (2ED)	1
15	38506-GC7-611	SUSP, START RELAY	1	31	96001-0600800	BOLT 6x8 mm. (2ED)	2
16	61312-NN2-900	TIE-BAND	2	32	44800-NN4-J10	SPEED SENSOR (2ED)	1

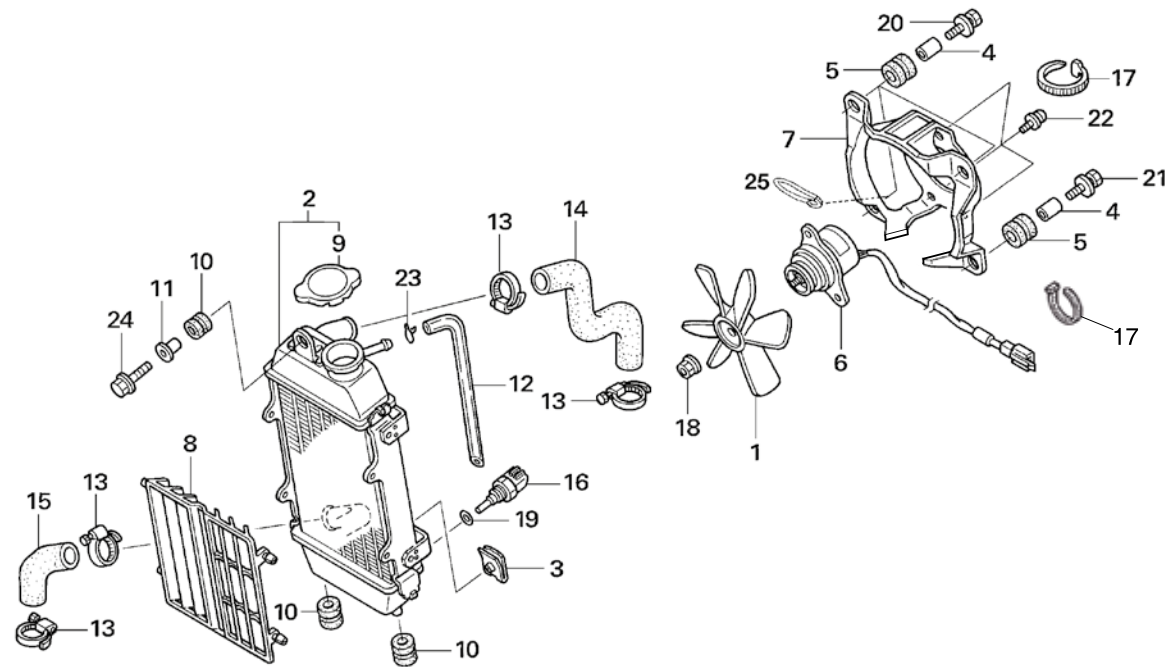
Block No.
F-21
Wire harness



Ref.No.	Part No.	Description	Qty. '18	Ref.No.	Part No.	Description	Qty. '18
---------	----------	-------------	-------------	---------	----------	-------------	-------------

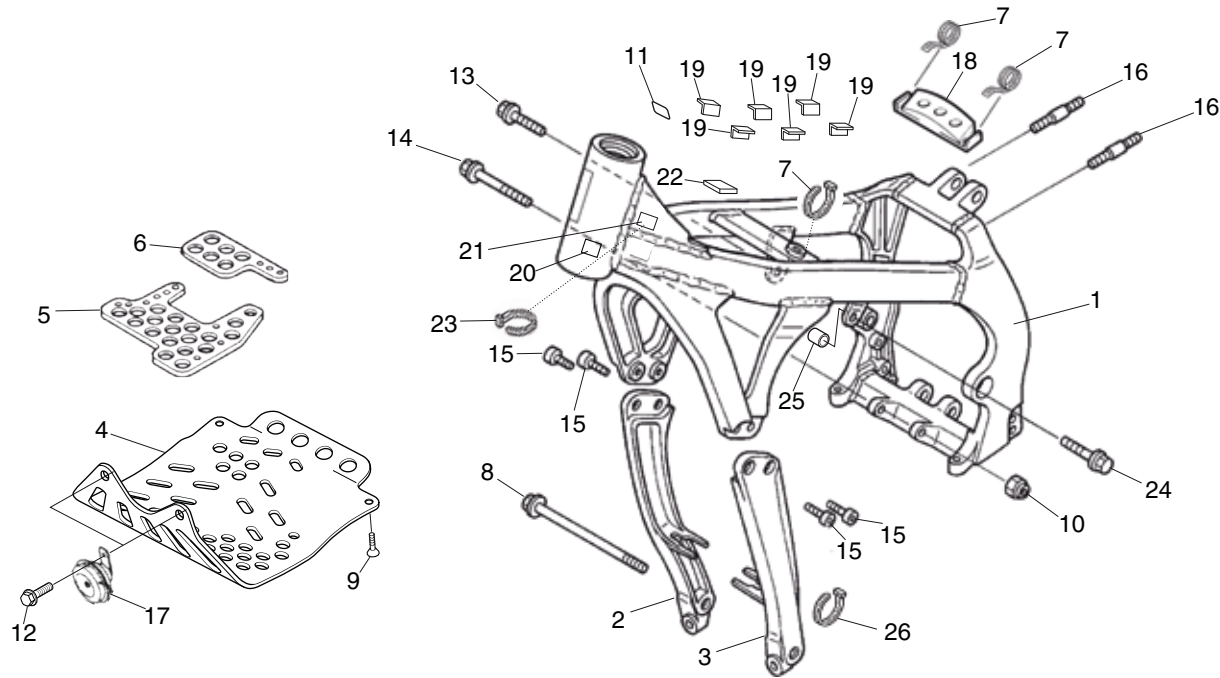
33	90116-NN4-J10	BOLT M6X16 (2ED).....	1				
34	90202-NN4-J10	NUT (2ED).....	1				

Block No.
F-22
Radiator



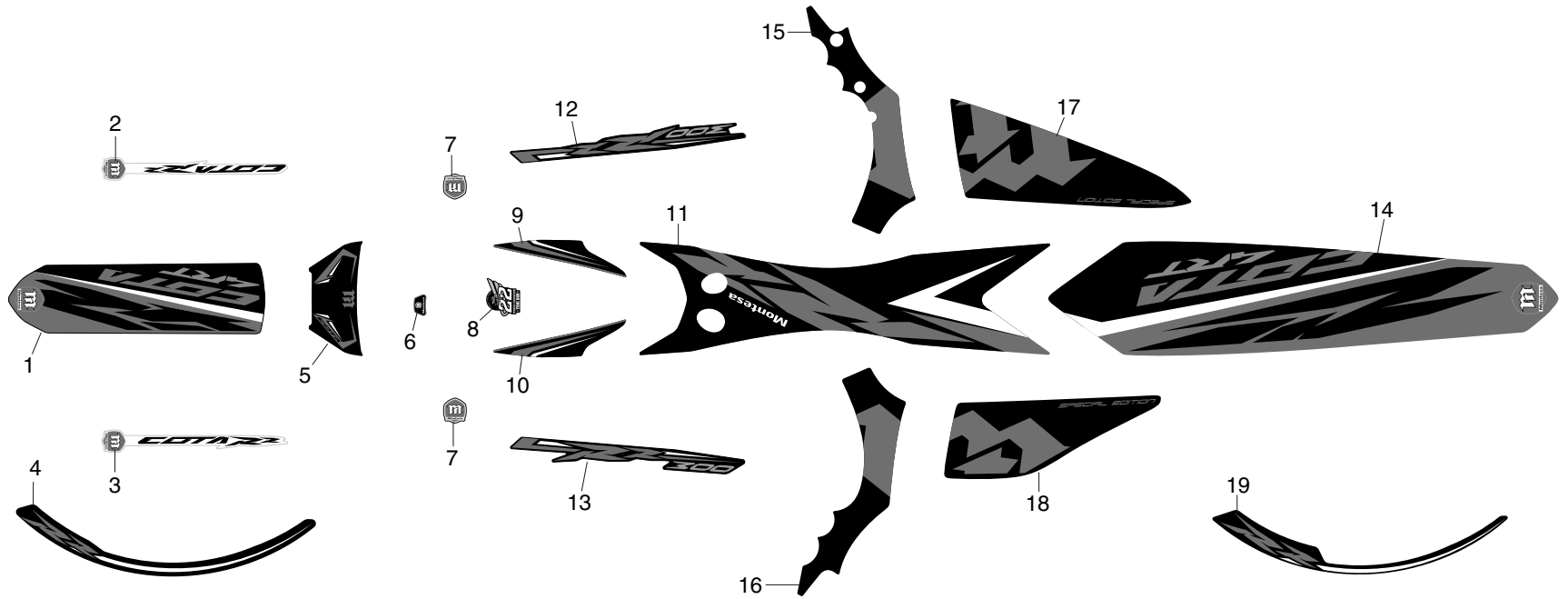
Ref.No.	Part No.	Description	Qty. '18	Ref.No.	Part No.	Description	Qty. '18
1	19009-KT7-000	FAN COMP., COOLING.....	1	17	90602-NN4-600	TIE-BAND BLACK 150mm	2
2	19010-NN4-013	RADIATOR COMP.	1	18	90308-KM3-003	NUT, TOOTHED 3mm.....	1
3	19014-KEA-003	SET, NUT	4	19	90454-MC7-000	WASHER, SPECIAL 12mm.....	1
4	19021-NN2-900	COLLAR, FAN SHROUD.....	4	20	93404-06018-07	BOLT-WASHER 6X18.....	3
5	19022-NN2-900	RUB, FAN SHROUD	4	21	93404-06020-07	BOLT-WASH, 6X20	1
6	19030-NN4-003	MOTOR, COOLING FAN.....	1	22	93891-04010-00	SCREW-WASH, 4X10.....	3
7	19031-NN4-L10	SHROUD, FAN.....	1	23	95002-02100	CLIP C10, TUBE	1
8	19033-NN4-000	GRILL, RADIATOR	1	24	96001-06028-00	BOLT, FLANGE SH 6X28	1
9	19037-MCA-G61	CAP COMP., RAD	1	25	90601-KJ9-000	CLIP	1
10	19051-KA3-830	RUBBER, RAD MOUNT.....	3				
11	19052-KA3-830	COLLAR, RAD MT	1				
12	19111-NN4-601	TUBE, RADIATOR DRAIN	1				
13	19504-KY1-003	CLAMP, WATER HOSE D25.....	4				
14	19531-NN4-000	HOSE UP, WATER.....	1				
15	19532-NN4-000	HOSE LOW, WATER	1				
16	37870-NN4-003	SENSOR ASSY., TW	1				

Block No.
F-23
Frame body



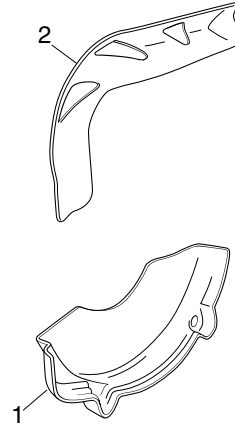
Ref.No.	Part No.	Description	Qty. '18	Ref.No.	Part No.	Description	Qty. '18
1	50100-NN4-J20	FRAME BODY COMP.	1	17	38110-NN4-C10	HORN (2ED).....	1
2	50310-NN4-H10	BLACK TUBE RH., DOWN	1	18	80121-NN4-600	PROTECTOR RUBBER.....	1
3	50320-NN4-H10	BLACK TUBE LH., DOWN	1	19	17506-NN4-000	RUBBER, FUEL TANK	6
4	50351-NN4-N10	SLIDE PLATE	1	20	87501-NN4-G10	MARK CE STICKER.....	1
5	50352-NN4-000	RUBBER A, ENG CUSH	1	21	90604-NN4-H10	AUTOADHESIVE BASE	1
6	50353-NN4-000	RUBBER B, ENG CUSH	1	22	17513-NN3-300	FUEL TANK PROTECTOR	1
7	61312-NN2-900	TIE-BAND	3	23	90603-NN4-C10	TIE-BAND BLACK 95mm	1
8	90119-MJ0-000	BOLT, FLANGE 10X130	1	24	96300-08032-00	BOLT, FLANGE 8X32	1
9	90125-NN2-900	SCREW, FLANT 8X20.....	2	25	50343-NN3-000	COLLAR UP ENG HANGER	1
10	90304-GA6-003	NUT, AXLE	1	26	90602-NN4-600	TIE-BAND BLACK 150 mm	1
11	86150-NN4-K10	EMBLEM, PRODUCT	1				
12	93405-08020-00	BOLT-WASHER 8X20.....	2				
13	96300-08018-00	BOLT, FLANGE DR 8X18.....	1				
14	96400-10085-00	BOLT, FLANGE DR 10X85	1				
15	90116-NN4-H00	SOCKET BOLT, 8X19.....	4				
16	92900-06022-0B	STUD 2. 6X22	2				

Block No.
F-24
Emblem
Stripe



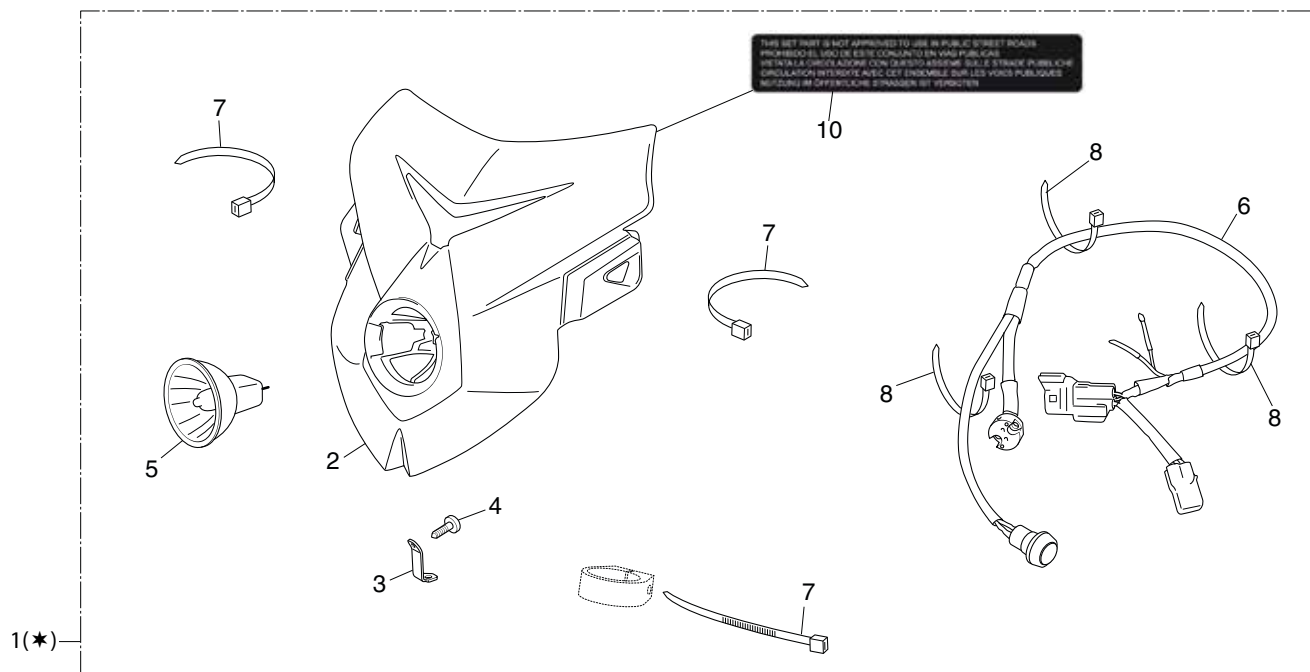
Ref.No.	Part No.	Description	Qty. '18	Ref.No.	Part No.	Description	Qty. '18
1	87131-NN4-N60	STRIPE FRONT FENDER.....	1	17	87153-NN4-N60	RH PROTECTOR.....	1
2	87139-NN4-N60	STRIPE RH, FR. FORK.....	1	18	87154-NN4-N60	LH PROTECTOR.....	1
3	87140-NN4-N60	STRIPE LH, FR. FORK.....	1	19	87142-NN4-N60	STRIPE REAR RIMS.....	4
4	87144-NN4-N60	STRIPE FRONT RIMS.....	4				
5	87143-NN4-N60	STRIPE HEADLIGHT CASE.....	1				
6	86150-NN4-K10	EMBLEM "M / MONTESA".....	1				
7	87145-NN4-J10	EMBLEM "M".....	2				
8	87147-NN4-N60	LOGO, TONI BOU 22 WORLD CHAMPION.....	1				
9	87155-NN4-N60	RH STICKER FUEL TANK.....	1				
10	87156-NN4-N60	LH STICKER FUEL TANK.....	1				
11	87134-NN4-N60	SEAT STICKER.....	1				
12	87132-NN4-N60	RH STICKER "300RR".....	1				
13	87133-NN4-N60	RH STICKER "300RR".....	1				
14	87136-NN4-N60	CENTRAL STICKER REAR FENDER.....	1				
15	87151-NN4-N60	REAR RH STRIPE FRAME.....	1				
16	87152-NN4-N60	REAR LH STRIPE FRAME.....	1				

Block No.
F-25
 Optional parts
 (Replica)



Ref.No.	Part No.	Description	Qty. '18	Ref.No.	Part No.	Description	Qty. '18
1	11330-REP-SOL	CLUTCH COVER PROTECTOR.....	1				
2	18328-REP-R00	EXHAUST PIPE PROTECTOR.....	1				

Block No.
F-26
Optional parts



THIS SET PART IS NOT APPROVED TO USE IN PUBLIC STREET ROADS.
 PROIBITO IL SUO IN ESTE CONDOTTO IN VIE PUBBLICHE.
 È VIETATA LA CIRCOLAZIONE CON QUESTO ASSEMBLAGE SULLE STRADE PUBBLICHE.
 CIRCULACION INTERDICTA CON ESTE ENSAMBLAJE POR LAS VÍAS PÚBLICAS.
 ESTE CONJUNTO DE PIEZAS NO ESTÁ APROBADO PARA SU USO EN VÍAS PÚBLICAS.

Ref.No.	Part No.	Description	Qty. '18	Ref.No.	Part No.	Description	Qty. '18
1	61300-REP-026	SET (COMPLETE)	1				
2	61310-REP-J00	COVER.....	1				
3	61315-REP-J00	SUPPORT	1				
4	90112-NN4-N10	SCREW D3.9x9.5.....	1				
5	34901-REP-J00	BULB	1				
6	32101-REP-L30	HEADLIGHT WIRING WITH SWITCH	1				
7	61312-NN4-D10	TIE-BAND (200 mm)	3				
8	90603-NN4-C10	TIE-BAND (95 mm)	3				
9	87143-NN4-N30	STICKER STD	1				
10	----	ADVERTISEMENT STICKER.....	1				

(*) This set part is not approved to use in public street roads.

PART No. INDEX COTA 300RR 2018

Part No.	Block	Ref.No.	Part No.	Block	Ref.No.	Part No.	Block	Ref.No.	Part No.	Block	Ref.No.
11000			14430-NN4-000	E-02	3	16216-MCZ-000	E-01	8	17552-NN4-000	F-15	15
11100-NN4-L60	E-11	1	14440-NN4-000	E-02	4	16400-NN4-M62	E-16	1	17553-NN4-000	F-15	16
11105-NN4-000	E-11	2	14450-NN4-000	E-02	5	16420-NN4-L10	E-16	2	17554-NN4-000	F-15	17
11191-NN4-000	E-11	3	14460-NN4-000	E-02	6	16700-NX7-003	F-13 (2ED)	1	17575-MEN -A30	F-13 (2ED)	23
11200-NN4-M60	E-11	4	14510-NN4-000	E-03	2	16700-NX7-003	F-13 (4ED)	1	17575-MEN -A30	F-13 (4ED)	23
11206-NN4-000	E-11	5	14515-KF0-000	E-03	3	16711-MEN-A30	F-13 (2ED)	9	17576-MEN -A30	F-13 (2ED)	24
11330-NN4-000	E-05	1	14520-KRN-671	E-03	4	16711-MEN-A30	F-13 (4ED)	9	17576-MEN -A30	F-13 (4ED)	24
11330-REP-SOL	F-25	1	14560-MEN-671	E-03	5	16712-MEN -A30	F-13 (2ED)	8	17621-NN4-000	F-13 (4ED)	10
11340-NN4-L60	E-09	1	14620-NN4-000	E-03	6	16712-MEN -A30	F-13 (4ED)	8	17621-NN4-M10	F-13 (2ED)	10
11350-NN4-L60	E-05	2	14711-NN4-000	E-02	7				17624-NN4-000	F-13 (4ED)	11
11352-NN4-003	E-05	3	14721-NN4-000	E-02	8	17000			17624-NN4-M10	F-13 (2ED)	11
11394-NN4-000	E-05	4	14751-NN4-000	E-02	9	17211-NN4-000	F-15	3	17625-NF4-003	F-13 (2ED)	3
11395-NN4-000	E-09	2	14752-NN4-000	E-02	10	17212-NN4-000	F-15	4	17625-NF4-003	F-13 (4ED)	3
			14771-KW3-900	E-02	11	17213-NN4-000	F-15	5	17711-SOX-931	E-16	5
12000			14776-NN4-000	E-02	12	17230-NN4-H00	F-15	6	17910-NN4-B01	F-01	1
12010-NN4-000	E-01	1	14781-ML0-720	E-02	13	17231-NN4-300	F-15	7			
12100-NN4-M60	E-04	1				17232-NN4-300	F-15	8	18000		
12191-NN4-003	E-04	2	15000			17234-NN4-300	F-15	28	18291-NN4-000	F-16	1
12203-KA5-690	E-01	2	15111-NN4-000	E-07	1	17236-NN3-830	F-15	9	18310-NN4-M60	F-16	2
12209-ML0-722	E-02	1	15133-NN4-000	E-07	2	17253-NN4-000	F-15	10	18310-NN4-M70	F-16	2
12251-NN4-L60	E-01	3	15220-MEB-770	E-09	3	17255-KRJ-900	F-15	11	18320-NN4-M60	F-16	4
12312-NN4-000	E-01	4	15331-324-000	E-07	3	17358-NN2-000	F-15	12	18323-NN4-000	F-16	5
12351-NN4-000	E-01	5	15332-324-000	E-07	4	17500-NN4-N60	F-13 (2ED)	2	18323-NN4-M10	F-16	5
			15412-MEN-671	E-11	6	17500-NN4-N70	F-13 (4ED)	2	18326-NN4-G10	F-16	24
13000			15412-NN4-000	E-11	7	17506-NN4-000	F-23	19	18328-REP-R00	F-25	2
13000-NN4-L60	E-12	1	15414-MEB-670	E-11	8	17509-NN4-000	F-13 (2ED)	4	18330-NN4-L70	F-16	4
13011-NN4-N60	E-12	2	15421-NN4-000	E-11	9	17509-NN4-000	F-13 (4ED)	4	18338-NN4-L40	F-16	23
13101-NN4-M60	E-12	3	15611-KA3-710	E-05	5	17513-NN3-300	F-23	22	18373-MN1-670	F-16	6
13111-NN4-L60	E-12	4	15650-NN4-000	E-11	10	17519-NN4-L10	F-13 (2ED)	15	18383-NN4-G10	F-16	20
13115-147-000	E-06	1	15707-634-000	F-15	1	17519-NN4-L10	F-13 (4ED)	15	18391-MB0-891	F-16	7
13115-NN4-L60	E-12	5				17521-NN4-G00	F-13 (4ED)	21	18601-MBW-003	E-11	11
13121-NN4-N60	E-12	11	16000			17521-NN4-M10	F-13 (2ED)	21			
13331-357-000	E-12	6	16016-NN4-003	E-16	6	17522-NN4-M10	F-13 (2ED)	27	19000		
13617-NN4-000	E-12	7	16180-ML6-671	F-13 (2ED)	28	17523-NN4-G00	F-13 (2ED)	6	19009-KT7-000	F-22	1
			16211-NN4-000	E-01	6	17523-NN4-G00	F-13 (4ED)	6	19010-NN4-013	F-22	2
14000			16213-NN4-600	E-01	27	17524-NN4-M10	F-13 (2ED)	26	19014-KEA-003	F-22	3
14100-NN4-D00	E-02	2	16215-NN4-000	E-01	7	17551-NN4-000	F-15	14	19021-NN2-900	F-22	4
14401-NN4-003	E-03	1									

PART No. INDEX COTA 300RR 2018

Part No.	Block	Ref.No.	Part No.	Block	Ref.No.	Part No.	Block	Ref.No.	Part No.	Block	Ref.No.
19022-NN2-900	F-22	5	22900-NN4-J11	F-03	10	24328-NN4-000	E-14	14	31600-NN4-003	F-21	7
19030-NN4-003	F-22	6				24329-KA3-740	E-14	15	31605-NN4-G10	F-21	8
19031-NN4-L10	F-22	7	23000			24430-NN4-000	E-14	16	31606-NN4-G10	F-21	30
19033-NN4-000	F-22	8	23121-NN4-000	E-12	8	24435-KA3-710	E-14	17	31700-NN4-003	F-21	9
19037-MCA-G61	F-22	9	23211-NN4-000	E-13	1	24610-NN4-000	E-14	18			
19051-KA3-830	F-16	22	23221-NN4-000	E-13	2	24651-MEB-670	E-14	19	32000		
19051-KA3-830	F-22	10	23225-KS6-000	E-13	3	24652-HA0-000	E-14	20	32100-NN4-G10	F-21	10
19052-KA3-830	F-22	11	23411-NN4-000	E-13	4	24700-NN4-L60	F-17	1	32101-NN4-J10	F-21	29
19052-MAC-680	F-16	8	23413-NN4-000	E-13	5				32101-REP-L30	F-26	6
19111-NN4-601	F-22	12	23421-NN4-000	E-13	6	28000			32102-NN4-M10	F-21	28
19114-NN4-600	F-13 (2ED)	18	23422-GB4-770	E-13	7	28210-NN4-000	E-15	1	32103-NN4-L10	F-13 (2ED)	19
19114-NN4-600	F-13 (4ED)	18	23431-NN4-000	E-13	8	28230-NN4-000	E-15	2	32103-NN4-L10	F-13 (4ED)	19
19215-GC4-731	E-08	1	23441-NN4-000	E-13	9	28237-KZ4-A10	E-06	11	32171-GF9-621	F-21	11
19221-NN4-000	E-08	2	23451-NN4-000	E-13	10	28241-KA3-710	E-15	3			
19229-NN4-000	E-08	3	23452-NN4-000	E-13	11	28242-KA3-710	E-15	4	33000		
19240-NN4-010	E-08	4	23461-NN4-000	E-13	12	28251-NN4-000	E-15	5	33100-NN4-C10	F-04 (2ED)	13
19504-KY1-003	F-22	13	23462-NN4-000	E-13	13	28261-KA3-710	E-15	6	33400-NN4-J10	F-04 (2ED)	18
19531-NN4-000	F-22	14	23471-NN4-000	E-13	14	28262-NN4-010	E-15	7	33450-NN4-J10	F-04 (2ED)	19
19532-NN4-000	F-22	15	23481-NN4-000	E-13	15	28263-NN4-000	E-15	8	33600-NN4-J10	F-14	7
			23491-NN4-000	E-13	16	28282-NN4-000	E-15	9	33650-NN4-J10	F-14	8
22000			23801-NN4-000	E-13	17	28300-NN4-L60	F-17	2	33700-NN4-J10	F-14	9
22100-NN4-000	E-06	2	23811-NN4 -M60	E-09	19	28302-NN4-000	F-17	3	33741-KEB-621	F-14	24
22121-NN4-000	E-06	3				28306-MEN-670	F-17	4	33741-NN4-M11	F-06	10
22201-KY2-000	E-06	4	24000			28333-KK0-000	F-17	5	33742-NN4-M10	F-06	11
22201-NN4-B00	E-06	5	24211-KRN-730	E-14	1				33743-NN4-M10	F-06	12
22321-MG3-000	E-06	6	24221-KRN-730	E-14	2	30000					
22351-NN4-000	E-06	7	24231-NN4-000	E-14	3	30500-ML7-013	F-21	1	34000		
22352-NN4-000	E-06	8	24241-MEN-670	E-14	4	30507-NN4-H00	F-21	19	34901-NN2-900	F-04 (2ED)	12
22361-NN4-000	E-06	9	24242-MEN-670	E-14	5	30510-NN4-000	F-21	2	34901-REP-J00	F-26	5
22402-NN4-000	E-06	10	24311-NN4-000	E-14	6	30513-NN4-000	F-21	3			
22403-NN4-L60	E-06	20	24312-KA3-741	E-14	7	30514-NN4-000	F-21	4	35000		
22863-NN3-000	E-05	6	24315-HA0-000	E-14	8	30700-KA2-013	F-21	5	35130-NN4-M60	F-01	2
22864-NN3-000	E-05	7	24321-KZ4-620	E-14	9	30731-NN4-000	F-21	6	35150-NN4-L10	F-01	18
22880-NN4-N60	F-03	1	24322-MM4-000	E-14	10				35160-NN4-003	F-21	12
22882-NN4-N60	F-02	5	24324-KA3-711	E-14	11	31000			35342-NN4-600	F-18	20
22882-NN4-N60	F-03	5	24325-KA3-711	E-14	12	31110-NN4-003	E-10	1	35343-NN4-N10	F-02	10
22883-NN4-L60	F-03	2	24326-KBH-901	E-14	13	31120-NN4-B01	E-10	2	35344-NN4-N30	F-02	14
						31121-NN4-000	E-10	3	35350-NN4-600	F-02	8

PART No. INDEX COTA 300RR 2018

Part No.	Block	Ref.No.	Part No.	Block	Ref.No.	Part No.	Block	Ref.No.	Part No.	Block	Ref.No.
35350-NN4-600	F-18	21	42604-NN4-H01	F-12	8	44800-NN4-J10	F-21	32	50536-NN4-N60	F-18	3
35351-NN4-600	F-02	9	42605-NN4-H01	F-12	9				50541-MBL-610	F-18	2
35400-NN4-D00	F-01	17	42606-NN4-H01	F-12	25	45000			50542-MBL-610	F-18	15
36000			42607-NN4-H00	F-12	10	45100-NN4-N60	F-08	1	50600-NN4-L10	F-18	4
36532-GFC-771	F-16	19	42620-NN4-H00	F-12	12	45105-NN4-N20	F-08	2	50602-NN4-J10	F-18	6
37000			42650-NN4-L60	F-12	11	45108-NN4-N20	F-08	4	50603-MAK-000	F-18	5
37200-NN4-M10	F-04 (2ED)	14	42701-NN4-L61	F-12	13	45109-NN4-N20	F-08	5	50616-NN4-L60	F-18	7
37715-NN4-J10	F-10	4	42714-KA3-710	F-09	1	45120-NN4-N20	F-08	3	50617-NN4-J10	F-18	8
37870-NN4-003	F-22	16	42753-KBS-901	F-12	15	45125-NN4-J11	F-02	13	50618-NN4-J10	F-18	9
38000			43000			45331-NN3-830	F-09	15	50642-NN4-L60	F-18	10
38110-NN4-C10	F-23	17	43100-NN4-N30	F-10	1	45332-NN4-J10	F-09	16	50700-NN4-L10	F-18	11
38300-NN4-G10	F-04 (2ED)	11	43105-NN3-830	F-10	2	45351-NN4-000	F-09	17			
38500-GC7-612	F-21	13	43120-NN3-305	F-10	3	45352-NN4-000	F-09	18	51000		
38500-GC7-612	F-04 (2ED)	10	43121-NN4-C00	F-12	16	45468-NN2-000ZA	F-04 (2ED)	23	51400-NN4-M61	F-07	24
38500-GC7-612	F-04 (4ED)	14	43310-NN4-J11	F-11	1	45468-NN2-000ZB	F-04 (4ED)	2	51410-NN4-L61	F-07	3
38501-GN2-014	F-21	14	43330-NN4-J10	F-12	17	45500-NN4-N60	F-02	1	51412-NN4-J11	F-07	14
38506-GC7-611	F-21	15	43352-568-003	E-05	8	45530-NN4-N10	F-02	4	51414-NN4-J11	F-07	16
40000			43353-461-771	E-05	9	45530-NN4-N10	F-03	4	51415-NN4-J11	F-07	15
40510-NN3-000	F-19	1	43468-KZ3-B00	F-19	46	45540-NN4-L60	F-02	2	51420-NN4-L61	F-07	17
40530-NN2-000	F-19	2	43500-NN4-K11	F-11	2	46000			51421-NN4-J11	F-07	20
40531-NN2-000	F-19	3	43510-NN2-900	F-11	3	46500-NN4-M60	F-17	6	51422-NN4-L10	F-07	11
40535-NN4-600	F-19	40	43511-NN4-000	F-11	4	46514-KY2-700	F-19	5	51425-NN4-J11	F-07	13
40544-NN4-C00	F-12	1	43520-NN4-K10	F-11	5	46521-NN4-000	F-17	7	51430-NN4-M61	F-07	21
41000			44000			46525-KK0-003	F-17	8	51437-NN4-L61	F-07	22
41201-NN4-M60	F-12	2	44301-NN4-J10	F-09	2	46531-NN4-000	F-17	9	51441-NN4-J11	F-07	19
42000			44311-NN4-000	F-09	3	46532-NN4-000	F-17	10	51447-NN4-J11	F-07	12
42301-NN3-000	F-12	3	44602-NN4-N60	F-09	4	50000			51450-NN4-L61	F-07	1
42311-NN4-H00	F-12	4	44603-NN4-H01	F-09	5	50100-NN4-J20	F-23	1	51458-NN4-L61	F-07	23
42312-NN4-H00	F-12	5	44608-KZ4-J40	F-09	6	50310-NN4-H10	F-23	2	51500-NN4-M61	F-07	25
42515-NN4-J10	F-12	26	44620-NN4-J10	F-09	8	50320-NN4-H10	F-23	3	51501-NN4-M61	F-07	6
42602-NN4-L60	F-12	6	44650-NN4-L60	F-09	7	50343-NN3-000	F-23	25	51502-NN4-M61	F-07	5
42603-NN4-H01	F-12	7	44701-NN4-L61	F-09	9	50351-NN4-N10	F-23	4	51510-NN4-L61	F-07	4
			44711-NN4-003	F-09	10	50352-NN4-000	F-23	5	51520-NN4-L61	F-07	9
			44713-KR9-008	F-09	12	50353-NN4-000	F-23	6	51530-NN4-L61	F-07	7
			44715-MA0-770	F-09	13	50530-NN4-N60	F-18	1	51531-NN4-L61	F-07	8
						50535-NN4-600	F-19	41	51541-NN4-J11	F-07	10
									51550-NN4-L61	F-07	2

PART No. INDEX COTA 300RR 2018

Part No.	Block	Ref.No.	Part No.	Block	Ref.No.	Part No.	Block	Ref.No.	Part No.	Block	Ref.No.
52000			53131-NN4-J10	F-04 (4ED)	8	61300-REP-026	F-26	1	80000		
52100-NN4-J10	F-19	6	53141-NN4-000	F-01	3	61301-NN3-000	F-04 (4ED)	1	80050-NN4-N60	F-14	1
52100-NN4-J20	F-19	6	53142-NN3-000	F-01	4	61310-NN4-C10ZB	F-04 (2ED)	33	80101-028-940	F-21	18
52109-KA4-701	F-19	7	53160-NN4-000	F-01	5	61310-REP-J00	F-26	2	80101-NN4-J10ZA	F-14	1
52141-NN2-000	F-19	8	53161-NN3-000	F-01	6	61312-NN2-900	F-21	16	80102-NN4-300	F-14	21
52143-NN4-J10	F-19	47	53163-NN2-900	F-01	7	61312-NN2-900	F-23	7	80103-NN4-300	F-14	19
52144-KA3-731	F-19	9	53164-KR8-000	F-01	8	61312-NN2-900	F-04 (4ED)	3	80104-NN4-300	F-14	20
52157-NN4-J10	F-19	10	53165-KR8-000	F-01	9	61312-NN4-D10	F-26	7	80105-NN4-300	F-14	5
52170-NN4-000	F-19	11	53166-KR8-000	F-01	10	61313-NN4-C10	F-04 (2ED)	31	80105-NN4-J10	F-14	10
52171-NN3-000	F-19	12	53167-NN2-900	F-01	11	61314-NN4-C10	F-04 (2ED)	17	80106-NN4-G30	F-14	10
52181-NN4-000	F-19	13	53168-NN2-900	F-01	12	61315-NN4-C10	F-05	8	80106-NN4-J10	F-14	6
52182-NN4-J10	F-19	14	53169-NN2-900	F-01	13	61315-REP-J00	F-26	3	80108-NN4-J10	F-14	4
52400-NN4-G01	F-20	1	53170-NN4-K20	F-02	3	61319-NN4-M10	F-04 (2ED)	15	80110-NN3-000	F-15	19
52401-NN4-003	F-20	2	53172-NN4-J30	F-03	12	61320-NN4-C10	F-04 (2ED)	32	80111-NN4-G10	F-15	20
52410-NN4-G01	F-20	3	53173-NN4-J30	F-03	13	61390-NN4-C10	F-04 (2ED)	25	80112-NN4-D00	F-15	21
52422-NX4-003	F-20	23	53180-NN4-J10	F-03	3	61391-NN4-C10	F-04 (2ED)	24	80113-NN4-G10	F-16	18
52423-NX4-003	F-20	24	53200-NN4-K10	F-05	1				80121-NN4-600	F-23	18
52424-GC4-831	F-20	4	53214-KA4-701	F-05	3	62000			80125-NN4-000	F-14	14
52425-169-003	F-20	5	53214-KCY-671	F-05	2	62NN4NREMH	E-01	28			
52435-NN3-003	F-20	6	53215-MEE-D00	F-04 (2ED)	6				83000		
52459-NN3-003	F-20	7	53215-MEE-D00	F-04 (4ED)	10	63000			83510-NN4-L60	F-16	3
52461-NN3-000	F-20	8	53229-NN4-G00	F-05	4	63NN4NRFMH	E-01	28	83512-KA4-700	F-16	25
52462-NN3-000	F-20	9	53230-NN4-K10	F-04 (2ED)	9				83515-KZ3-700	F-16	21
52463-NN3-010	F-19	15	53230-NN4-K10	F-04 (4ED)	13	64000			83551-GE2-000	F-16	17
52463-NN3-010	F-20	10	53600-NN4-J10	F-05	9	64246-MEW-920	F-14	18			
52464-NN3-010	F-19	16				64615-KR1-860	F-04 (2ED)	37			
52464-NN3-010	F-20	11	55000			64615-KR1-860	F-13 (2ED)	13	86000		
52470-NN3-000	F-20	12	55102-166-000	F-15	18	64615-KR1-860	F-13 (4ED)	13	86150-NN4-K10	F-24	6
52471-NN3-000	F-20	13				64NN4NRGMH	E-01	28			
52486-NN3-000	F-20	14	61000						87000		
			61050-NN4-N60	F-06	4	65000			87131-NN4-N60	F-24	1
53000			61100-NN4-N60	F-06	1	65NN4NRSMH	E-01	28	87132-NN4-N60	F-24	12
53100-NN4-K20	F-04 (2ED)	7	61101-NN4-K10ZA	F-06	9				87133-NN4-N60	F-24	13
53100-NN4-K20	F-04 (4ED)	11	61102-NN3-820	F-06	6	69000			87134-NN4-N60	F-24	11
53121-NN4-L60	F-04 (2ED)	1	61104-357-000	F-13 (2ED)	12	69NN4NRIMH	E-01	28	87136-NN4-N60	F-24	14
53121-NN4-L60	F-04 (4ED)	5	61104-357-000	F-13 (4ED)	12				87139-NN4-N60	F-24	2
53131-NN4-J10	F-04 (2ED)	4	61105-NN4-L60	F-06	5	77000			87140-NN4-N60	F-24	3
						77208-KW7-900	F-21	17	87142-NN4-N60	F-24	19

PART No. INDEX COTA 300RR 2018

Part No.	Block	Ref.No.	Part No.	Block	Ref.No.	Part No.	Block	Ref.No.	Part No.	Block	Ref.No.
87143-NN4-N30	F-26	9	90013-NN4-000	E-12	9	90115-MAS-E00	F-16	10	90233-MM4-000	E-01	13
87143-NN4-N60	F-24	5	90022-MG8-000	E-14	21	90115-NN4-000	F-14	3	90304-GA6-003	F-23	10
87144-NN4-N60	F-24	4	90026-RYX-000	F-09	19	90115-NN4-000	F-13 (2ED)	17	90304-GA6-003	F-20	18
87145-NN4-J10	F-24	7	90031-NN4-000	E-11	13	90115-NN4-000	F-13 (4ED)	17	90304-MEE-D00	F-04 (2ED)	5
87147-NN4-N60	F-24	8	90041-NN4-000	E-01	11	90116-MAS-E00	F-14	15	90304-MEE-D00	F-04 (4ED)	9
87148-NN4-M60	F-12	28	90071-MF5-000	E-11	14	90116-NN4-H00	F-23	15	90305-NN2-900	F-12	21
87149-NN4-M60	F-12	27	90084-428-000	E-09	4	90116-NN4-J10	F-21	33	90308-KM3-003	F-22	18
87151-NN4-N60	F-24	15	90085-MCS-000	E-15	12	90116-NN4-M11	F-07	18	90309-KF0-003	F-18	14
87152-NN4-N60	F-24	16	90088-MEB-670	E-03	9	90117-NN4-000	F-19	18	90309-ML3-791	F-12	22
87153-NN4-N60	F-24	17	90088-NN4-J10	F-02	7	90119-MJ0-000	F-23	8	90401-KRN-670	E-01	14
87154-NN4-N60	F-24	18	90088-NN4-J10	F-03	7	90120-NN3-000	F-20	15	90401-NN4-000	F-12	23
87155-NN4-N60	F-24	9	90089-KR0-000	E-01	9	90120-NN4-C10	F-04 (2ED)	29	90402-KY4-900	E-12	10
87156-NN4-N60	F-24	10	90089-NN4-L60	F-02	6	90121-NN4-000	F-20	16	90402-NN4-000	E-10	7
87501-NN4-G10	F-23	20	90089-NN4-L60	F-03	6	90121-NN4-C10	F-04 (2ED)	22	90404-KW3-000	E-13	19
87505-NN4-L10	F-19	44	90101-MAC-680	F-17	11	90124-KZ4-J40	F-04 (2ED)	3	90432-KF0-000	E-06	14
87507-NN4-H10	F-19	45	90102-GM2-000	F-19	17	90124-KZ4-J40	F-04 (4ED)	7	90435-HB3-000	E-14	22
87560-NN4-K40	F-15	27	90104-ML7-920	F-19	31	90125-KZ4-J40	F-12	19	90441-KA4-700	E-11	15
87560-NN4-L30	F-15	27	90105-KL8-741	F-18	19	90125-NN2-900	F-23	9	90441-KRN-670	E-11	16
87586-MKF-D40	F-13 (2ED)	20	90105-NN4-D00	F-12	18	90128-428-020	F-18	13	90441-ME9-000	E-09	5
87586-MKF-D40	F-13 (4ED)	20	90106-KJ6-740	F-13 (2ED)	25	90129-NN4-C10	F-04 (2ED)	16	90441-ME9-000	E-11	17
87586-NN4-N10	F-13 (2ED)	20	90106-KJ6-740	F-13 (4ED)	25	90132-NN2-900	F-12	20	90441-MR1-770	E-01	15
87586-NN4-N10	F-13 (4ED)	20	90106-KRN-000	F-13 (2ED)	16	90145-NN4-J10	F-03	8	90442-397-000	E-03	10
			90106-KRN-000	F-13 (4ED)	16	90145-NN4-J10	F-11	6	90446-357-000	E-13	20
88000			90106-KY2-701	F-14	2	90182-NN3-000	F-20	17	90446-NN4-000	E-01	16
88100-NN4-H11	F-04 (2ED)	35	90106-NN4-J10	F-16	11	90201-GC4-000	F-19	19	90447-KE1-000	E-08	5
			90107-NN3-000	F-01	14	90201-NN3-000	E-06	13	90451-155-000	E-14	23
90000			90107-NN4-J10	F-14	17	90201-NN4-000	E-10	6	90452-178-000	E-15	10
90001-NN4-000	E-10	4	90107-NN4-J10	F-16	16	90201-NN4-600	F-06	13	90452-323-000	E-01	17
90002-NN4-000	E-01	10	90108-283-000	F-18	12	90201-NN4-600	F-14	11	90452-KZ4-000	E-13	21
90003-KRN-670	E-11	12	90108-GK1-000	F-15	13	90202-NN4-J10	F-21	34	90453-KZ4-000	E-13	22
90003-NN4-J10	F-19	34	90108-KGB-610	F-16	9	90203-MF9-710	F-18	17	90454-GF9-000	E-09	6
90004-GHB-600	E-03	7	90108-NN4-600	F-14	12	90205-NN4-J10	F-14	25	90454-MC7-000	F-22	19
90004-GHB-630	E-03	8	90111-NN4-600	F-19	42	90206-250-000	E-02	15	90456-333-000	E-08	6
90004-GHB-660	E-06	12	90112-413-000	E-13	18	90206-NN4-C10	F-14	13	90456-KS6-000	E-06	15
90005-896-000	E-10	5	90112-NN4-N10	F-26	4	90206-NN4-C10	F-04 (2ED)	28	90461-444-000	E-13	23
90005-NN4-J10	F-02	12	90113-NN4-J10	F-14	27	90216-MM9-000	F-16	15	90463-ML7-000	E-01	18
90012-KK3-830	E-02	14	90114-NN4-C10	F-05	7	90232-MB6-680	E-01	12	90463-ML7-000	E-04	3

PART No. INDEX COTA 300RR 2018

Part No.	Block	Ref.No.	Part No.	Block	Ref.No.	Part No.	Block	Ref.No.	Part No.	Block	Ref.No.
90463-ML7-000	E-08	7	90608-072-000	E-06	17	91202-NN4-003	E-09	9	93600-05016-0G	F-19	33
90482-567-000	E-03	11	90651-NN4-N20	F-08	6	91203-KA4-771	E-11	31	93600-06010-0H	E-11	36
90501-425-000	F-21	20	90658-NN4-J10	F-03	11	91204-HB3-004	E-11	32	93891-04010-00	F-22	22
90501-444-000	E-15	11	90751-GK1-003	E-09	7	91205-KA3-712	E-05	10	93913-14180	F-15	22
90501-ML3-910	E-06	16	90751-MAK-000	F-18	16	91211-KA3-761	E-08	10	93913-14180	F-04 (2ED)	26
90501-NN4-003	E-13	24	90851-NN4-300	F-14	22	91253-KA3-731	F-19	26	93913-14180	F-04 (4ED)	4
90501-NN4-G00	F-13 (2ED)	5	90851-NN4-B00	F-06	8	91254-KS6-003	F-19	27	93913-15280	F-19	35
90501-NN4-G00	F-13 (4ED)	5	90901-NN4-D00	E-11	18	91302-PA9-003	E-11	33	93913-15280	F-04 (2ED)	30
90502-NN4-000	F-19	20				91302-PNA-003	E-16	3			
90503-KRN-000	F-19	21	91000			91303-377-000	E-09	10	94000		
90503-NN4-300	F-14	23	91001-147-003	E-06	18	91303-436-003	E-01	19	94001-06000-0S	F-17	14
90504-NN4-600	F-19	43	91001-GG2-003	F-17	12	91303-HA0-003	E-11	34	94001-08000-0S	F-09	21
90506-NN4-C10	F-04 (2ED)	27	91001-KA3-711	E-11	19	91305-422-000	F-19	28	94050-05000	F-19	36
90512-921-0100	F-16	14	91001-KA4-003	E-08	8	91305-PH7-003	E-05	11	94050-06000	F-15	23
90512-NN4-L80	F-04 (2ED)	36	91001-KRN-671	E-11	20	91312-371-013	E-05	12	94050-06000	F-16	12
90525-030-000	F-21	21	91001-KZ4-J11	E-11	21	91312-NN3-003	E-05	13	94050-10000	F-04 (2ED)	34
90525-NN4-C10	F-05	10	91002-NN4-003	E-11	22	91316-MJ8-003	E-11	35	94101-05000	F-06	7
90525-NN4-C10	F-14	16	91004-KRN-671	E-11	23	91320-KE1-000	E-05	14	94101-06000	F-16	13
90526-NN4-C10	F-04 (2ED)	21	91004-KY4-900	E-11	24	91320-KE1-000	E-08	11	94102-08000	F-18	18
90545-NN4-J10	F-03	9	91006-HA0-003	E-11	25	91351-GS2-701	F-20	22	94111-04000	F-01	16
90545-NN4-J10	F-11	7	91007-NN4-003	E-02	16	91351-KA3-711	E-13	27	94111-08000	F-09	22
90548-NN4-J10	F-02	11	91008-NN4-003	E-09	8	91362-ZC3-000	F-19	29	94301-08100	E-09	11
90601-360-000	E-13	25	91011-KS6-003	E-06	19	91370-461-000	E-02	17	94301-08140	E-01	20
90601-KJ9-000	F-22	25	91012-KA3-710	E-11	26	91410-KT7-000	E-09	18	94301-08140	E-05	15
90602-360-000	E-13	26	91015-425-831	F-05	5	91410-KT7-000	F-21	27	94301-08140	E-11	37
90602-NN4-600	F-06	2	91022-KA4-740	E-11	27				94301-12200	E-01	21
90602-NN4-600	F-14	26	91051-NN1-000	F-19	22	92000			94301-12200	E-04	4
90602-NN4-600	F-15	2	91051-NN1-000	F-20	19	92101-04022-0A	F-21	22	94510-14000	E-14	25
90602-NN4-600	F-22	17	91052-NN0-000	F-19	23	92900-06022-0B	F-23	16	94510-16000	E-15	13
90602-NN4-600	F-23	26	91071-MA0-003	F-19	24				94520-14000	E-09	12
90602-NN4-600	F-04 (2ED)	2	91071-NN1-000	F-19	25	93000			94520-19000	E-11	38
90602-NN4-600	F-04 (4ED)	6	91071-NN1-000	F-20	20	93301-06016-0A	E-14	24	94520-28000	E-09	13
90602-NN4-C10	F-19	4	91074-NN3-003	F-20	21	93404-06014-00	F-19	30	94591-27000	F-04 (2ED)	20
90602-NN4-G10	F-19	4	91201-148-003	E-08	9	93404-06018-07	F-22	20			
90603-NN4-C10	F-23	23	91201-951-003	F-17	13	93404-06020-07	F-22	21	95000		
90603-NN4-C10	F-26	8	91201-KS6-004	E-11	28	93405-08020-00	F-23	12	95002-02100	E-11	39
90604-NN4-H10	F-23	21	91201-MEB-671	E-11	29	93500-04012-1A	F-01	15	95002-02100	F-15	24
			91202-MEB-671	E-11	30	93600-05012-0G	F-19	32	95002-02100	F-22	23

PART No. INDEX COTA 300RR 2018

Part No.	Block	Ref.No.	Part No.	Block	Ref.No.	Part No.	Block	Ref.No.	Part No.	Block	Ref.No.
95002-02100	F-13 (2ED)	22	96001-06050-00	E-09	16						
95002-02100	F-13 (4ED)	22	96001-06055-00	E-05	18						
95002-02129	F-13 (2ED)	7	96001-06055-00	E-11	42						
95002-02129	F-13 (4ED)	7	96001-06060-00	E-08	14						
95002-NN4-J10	F-11	8	96001-06070-00	E-11	43						
95003-43004-20	F-19	37	96001-06075-00	E-11	44						
95005-55035-20	F-13 (2ED)	14	96001-06080-00	E-11	45						
95005-55035-20	F-13 (4ED)	14	96001-06085-00	E-11	46						
95005-55225-20	F-15	25	96100-62013-00	E-02	18						
95701-06025-00	F-15	26	96150-60040-10	F-12	24						
			96150-60040-10	F-09	14						
			96211-08000	F-17	17						
96000			96220-30178	E-07	5						
96001-0600800	F-21	31	96220-40080	E-14	26						
96001-06012-00	F-11	9	96300-08018-00	F-23	13						
96001-06012-00	F-19	38	96300-08032-00	F-23	24						
96001-06014-00	E-11	40	96300-08032-00	F-09	20						
96001-06014-00	E-15	14	96300-08035-00	E-09	17						
96001-06014-00	F-06	3	96300-08070-00	E-11	47						
96001-06018-00	F-17	16	96400-10085-00	F-23	14						
96001-06018-00	F-21	23	96600-06010-10	F-19	39						
96001-06020-00	E-01	22	96600-06022-00	F-11	10						
96001-06020-00	F-21	24	96600-08025-10	F-05	6						
96001-06022-00	E-01	23	96600-080-2810	F-04 (2ED)	8						
96001-06022-00	F-17	15	96600-080-2810	F-04 (4ED)	12						
96001-06022-00	F-21	25	96700-06022-00	E-16	4						
96001-06022-00	F-21	26	96700-08032-10	F-17	18						
96001-06025-00	E-08	12									
96001-06028-00	E-01	24	98000								
96001-06028-00	E-04	5	98059-56916-00	E-01	26						
96001-06028-00	E-05	16									
96001-06028-00	E-09	14	U								
96001-06028-00	F-22	24	U2NN4NRUMH	E-01	28						
96001-06035-00	E-01	25									
96001-06035-00	E-05	17									
96001-06035-00	E-09	15									
96001-06045-00	E-11	41									
96001-06050-00	E-08	13									

