

EDITION
4RT
260R

2024



PGM-FI Racing Trial

Part List

MONTESA HONDA, S.A.U.

PART LIST

COTA 4RT 2024

MONTESA COTA 4RT

The following diagram shows the 2 different versions of the COTA 4RT model:

ED Street version, COTA 4RT-260



3ED Racing version, COTA 4RT-260



All information in this publication is based on the latest product information available at the time of approval for printing.
The images and illustrations regarding the vehicle and its parts shown in this manual might not match exactly your real vehicle.
MONTESA HONDA, S.A.U. reserves the right to make changes at any time without notice and without incurring any obligation.
No part of this publication may be reproduced without written permission.

ILLUSTRATION MANAGEMENT NUMBER (IDENTIFICATION) FOR 2024 COTA 4RT PARTS LIST

ENGINE GRUP	ILLUSTRATION NUMBER	FRAME GRUP	ILLUSTRATION NUMBER
Cylinder head	E-1	Cable / Switch	F-1
Camshaft / Valve	E-2	Front brake master cylinder	F-2
Camchain / Tensioner.....	E-3	Clutch master cylinder	F-3
Cylinder	E-4	Steering handle pipe / Top bridge / Head light	F-4 (ED)
RH. Crankcase cover	E-5	Steering handle pipe / Top bridge	F-4 (3ED)
Clutch	E-6	Steering stem	F-5
Oil pump	E-7	Front fender.....	F-6
Water pump.....	E-8	Front fork (Showa).....	F-7
LH. Crankcase cover.....	E-9	Front brake caliper	F-8
Generator	E-10	Front wheel.....	F-9
Crankcase	E-11	Rear brake caliper	F-10
Crankshaft / Piston.....	E-12	Rear brake master cylinder	F-11
Transmission.....	E-13	Rear wheel.....	F-12
Gearshift drum.....	E-14	Fuel tank / Fuel pump	F-13 (ED)
Kick starter spindle.....	E-15	Fuel tank / Fuel pump	F-13 (3ED)
Throttle body / Injector	E-16	Rear fender.....	F-14
		Air cleaner	F-15
		Exhaust muffler.....	F-16
		Pedal / Kick starter arm.....	F-17
		Stand / Step	F-18
		Swingarm	F-19
		Rear cushion (Showa).....	F-20
		Wire harness.....	F-21
		Radiator	F-22
		Frame body	F-23
		Emblem / Stripe.....	F-24
		Optional parts.....	F-25

CONTENTS OF 2024 COTA 4RT PARTS LIST

INSTRUCTIONS FOR USE OF PARTS LIST	5
--	---

ENGINE GROUP

E-1	Cylinder head	6
E-2	Camshaft / Valve.....	8
E-3	Camchain / Tensioner	9
E-4	Cylinder	10
E-5	RH. Crankcase cover.....	11
E-6	Clutch	12
E-7	Oil pump	13
E-8	Water pump.....	14
E-9	LH. Crankcase cover	15
E-10	Generator.....	16
E-11	Crankcase.....	17
E-12	Crankshaft / Piston.....	19
E-13	Transmission.....	20
E-14	Gearshift drum.....	21
E-15	Kick starter spindle.....	22
E-16	Throttle body / Injector	23

FRAME GROUP

F-1	Cable / Switch	24
F-2	Front brake master cylinder.....	25
F-3	Clutch master cylinder.....	26
F-4 (ED)	Steering handle pipe / Top bridge / Head light.....	27
F-4 (3ED)	Steering handle pipe / Top bridge	29
F-5	Steering stem	30
F-6	Front fender	31
F-7	Front fork (Showa)	32
F-8	Front brake caliper.....	33
F-9	Front wheel.....	34
F-10	Rear brake caliper	35
F-11	Rear brake master cylinder	36
F-12	Rear wheel.....	37
F-13 (ED)	Fuel tank / Fuel pump.....	38
F-13 (3ED)	Fuel tank / Fuel pump.....	39
F-14	Rear fender	40
F-15	Air cleaner.....	41
F-16	Exhaust muffler.....	42
F-17	Pedal / Kick starter arm.....	43
F-18	Stand / Step	44
F-19	Swingarm.....	46
F-20	Rear cushion (Showa).....	48
F-21	Wire harness.....	49
F-22	Radiator	51
F-23	Frame body	52
F-24	Emblem / Stripe.....	53
F-25	Optional parts.....	54

INSTRUCTIONS FOR USE OF PARTS LIST

This parts list is to be used when ordering replacement parts. It contains all parts for model 2024 - COTA 4RT.

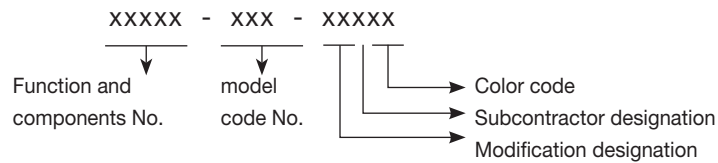
1) HOW TO ORDER PARTS

- * Replacement parts orders must contain both the part number and the stamped number(s) as described below. This is because any changes and modifications of parts are registered at HONDA with the pertinent parts and stamped numbers.
- * If "N" is indicated in the quantity column, it indicates that the parts are to be used as required.

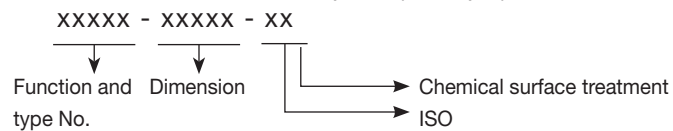
2) HOW TO READ THIS PARTS LIST

- Make-up of the number

* General parts (Example)



* Bolts, nuts and other standard parts (Example)



* Abbreviations

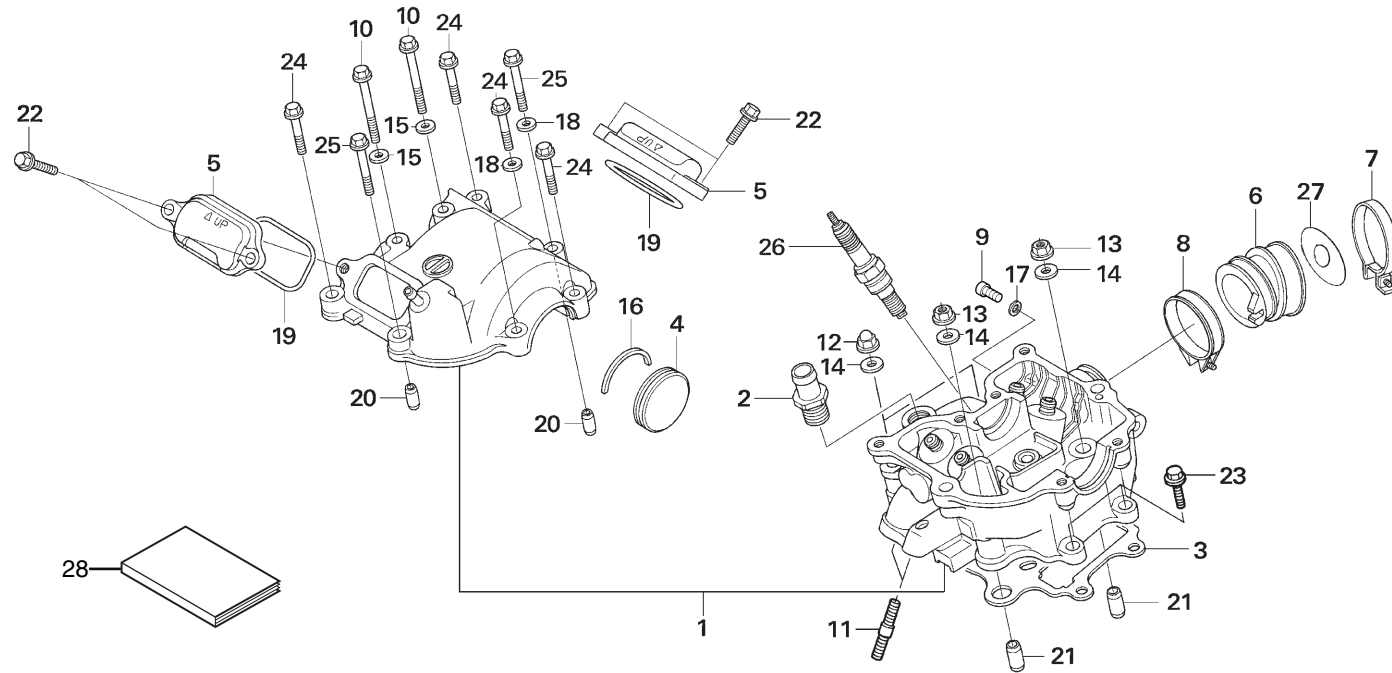
The following abbreviations are used in this parts list.

- A.C. Alternating current
- ASSY. Assembly
- COMP. Complete
- G..... Gram
- L..... Left
- L (100L) Link (100 Links)
- mm Milimeter
- D..... Right
- STD Standard
- T (21T) Tooth (21 teeth)
- t Thickness (mm)

* Serial number

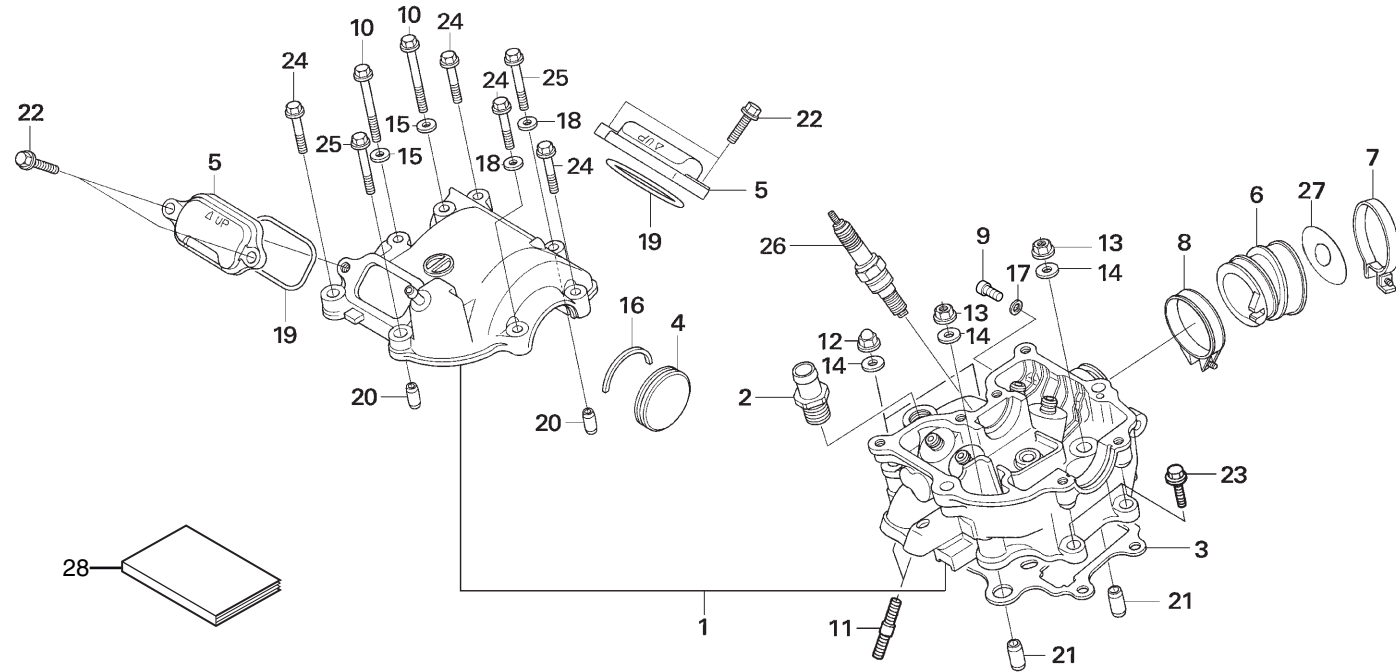
MODEL	TYPE	FRAME No.	ENGINE No.
MRT260R	ED	VTDND13B?RE000001	NN4E-52XXXXX
MRT260R	3ED	VTDNE04C?RE000001	NN4E-52XXXXX

Block N.º
E-1
Cylinder head



No.	Part Number	Description	Qty.	No.	Part Number	Description	Qty.
1	12010-NN4-000	HEAD SET, CYLINDER.....	1	16	90446-NN4-000	WASHER, CAM SHAFT THRUST	1
2	12203-KA5-690	JOINT, PIPE 13.....	1	17	90452-323-000	WASHER, 5MM.....	1
3	12251-KRN-731	GASKET, CYLINDER HEAD	1	18	90463-ML7-000	WASHER, SEALING, 6.5mm.....	2
4	12312-NN4-000	CAP, CYLINDER HEAD SIDE	1	19	91303-436-003	O-RING, 43X2.5	2
5	12351-NN4-000	COVER, TAPPET ADJ HOLE.....	2	20	94301-08140	DOWEL PIN, 8X14	2
6	16211-NN4-000	INSULATOR, THROTTLE BODY	1	21	94301-12200	DOWEL PIN, 12X20	2
7	16215-NN4-000	BAND, INSULATOR.....	1	22	96001-06020-00	BOLT, FLANGE, 6X20.....	4
8	16216-MCZ-000	BAND, INSULATOR A	1	23	96001-06022-00	BOLT, FLANGE, 6X22.....	2
9	90089-KR0-000	BOLT SOCKET 5X12.....	1	24	96001-06028-00	BOLT, FLANGE, 6X28.....	4
10	90002-NN4-000	BOLT, SPECIAL 6X50.....	2	25	96001-06035-00	BOLT, FLANGE, 6X35.....	2
11	90041-NN4-000	BOLT, STUD 2.7X17	2	26	98059-56916-00	SPARK PLUG, CR6EH-9.....	1
12	90232-MB6-680	NUT 9MM, CAP	2	27	16213-NN4-J10	INSOLATE PLATE (ED)	1
13	90233-MM4-000	NUT FLANGE 9mm.....	2	28	62NN4VEMH	SHOP/OWNER'S MANUAL (ENGLISH)	1
14	90401-KRN-670	WASHER, PLAIN 9mm.....	4		65NN4VSMH	SHOP/OWNER'S MANUAL (ESPAÑOL)	1
15	90441-MR1-770	WASHER, SEALING.....	2		64NN4VGMH	SHOP/OWNER'S MANUAL (DEUTSCH).....	1

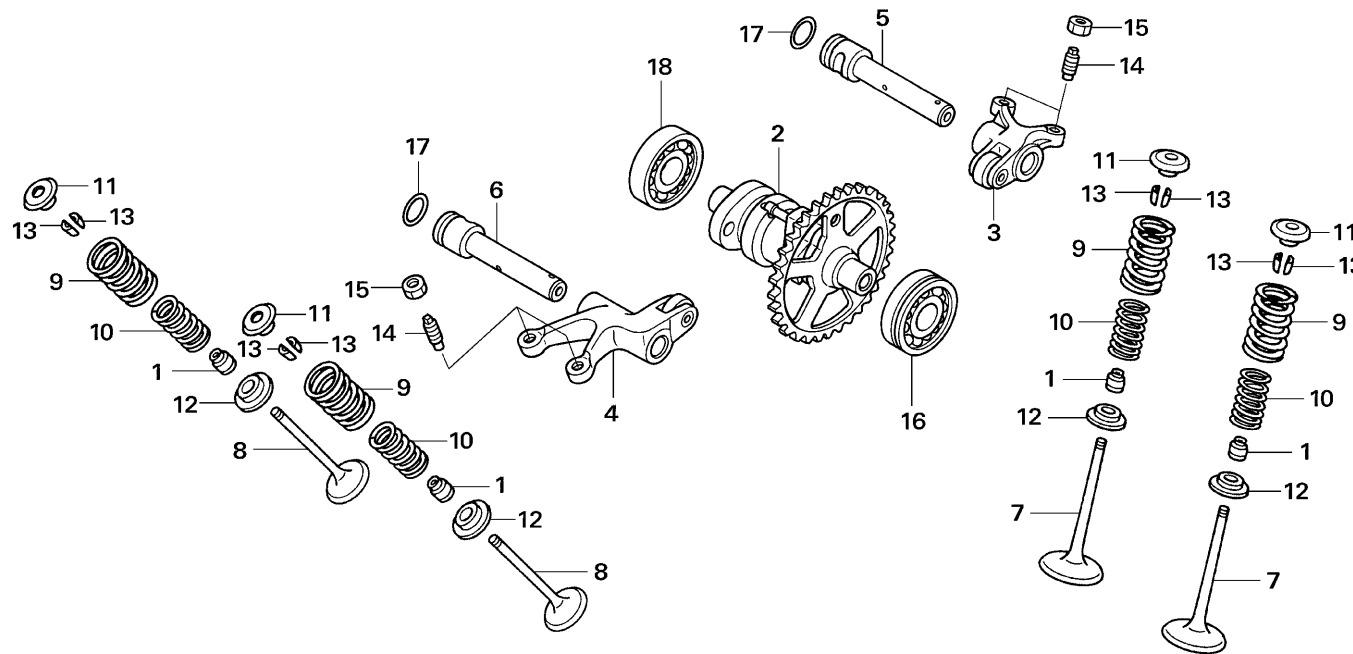
Block N.º
E-1
Cylinder head



FR. ←

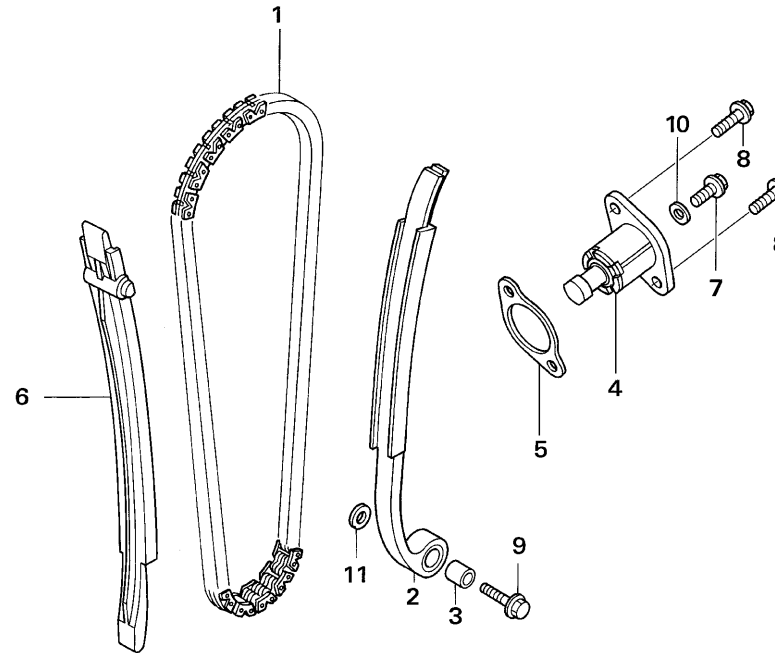
No.	Part Number	Description	Qty.	No.	Part Number	Description	Qty.
	69NN4VIMH	SHOP/OWNER'S MANUAL (ITALIANO).....	1				
	63NN4VFMH	SHOP/OWNER'S MANUAL (FRANÇAIS).....	1				
	U2NN4VUMH	SHOP/OWNER'S MANUAL (ENGLISH)(USA).....	1				

Block N.º
E-2
Camshaft
Valve



No.	Part Number	Description	Qty.	No.	Part Number	Description	Qty.
1	12209-ML0-722	SEAL VALVE STEM	4	17	91370-461-000	O-RING, 11.9X2.2	2
2	14100-NN4-D00	SHAFT COMP., IN. CAM.....	1	18	96100-62013-00	BEARING, BALL RADIAL 6201	1
3	14430-NN4-000	ARM COMP., IN. ROCKER.....	1				
4	14440-NN4-000	ARM COMP., EXH. ROCKER	1				
5	14450-NN4-000	SHAFT COMP., IN. ROCKER ARM	1				
6	14460-NN4-000	SHAFT COMP., EX. ROCKER ARM.....	1				
7	14711-NN4-000	VALVE, INLET	2				
8	14721-NN4-000	VALVE, EXHAUST	2				
9	14751-NN4-000	SPRING, VALVE OUTER	4				
10	14752-NN4-000	SPRING, VALVE INNER.....	4				
11	14771-KW3-900	RETAINER VALVE SPRING.	4				
12	14776-NN4-000	SEAT, VALVE SPRING	4				
13	14781-ML0-720	COTTER, VALVE.....	8				
14	90012-KK3-830	SCR., TAPPET ADJG	4				
15	90206-250-000	NUT, TAPPET ADJG.....	4				
16	91007-NN4-003	BEARING, BALL RADIAL 6201 SPL	1				

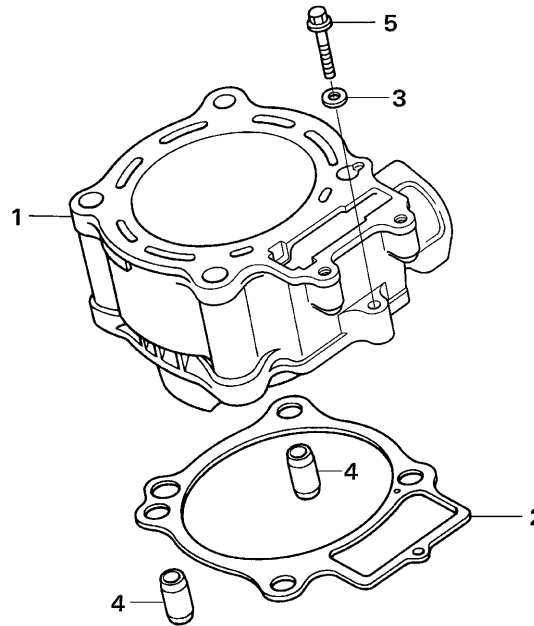
Block N.º
E-3
 Camchain
 Tensioner



FR. ←

No.	Part Number	Description	Qty.	No.	Part Number	Description	Qty.
1	14401-NN4-003	CHAIN, CAM	1				
2	14510-NN4-000	TENSIONER COMP., CAM CHAIN.....	1				
3	14515-KF0-000	TENSIONER COLLAR.....	1				
4	14520-KRN-671	LIFTER ASSY., TENSIONER.....	1				
5	14560-MEN-671	GASKET, TENSIONER LIFTER	1				
6	14620-NN4-000	GUIDE, CAM CHAIN	1				
7	90004-GHB-600	BOLT, FLANGE, NSHF, 6X10.....	1				
8	90004-GHB-630	BOLT, FLANGE, NSHF, 6X16.....	2				
9	90088-MEB-670	BOLT, FLANGE 6X25.....	1				
10	90442-397-000	WASHER, SEALING 6mm.....	1				
11	90482-567-000	WASHER, SPECIAL 6mm	1				

Block N.º
E-4
Cylinder

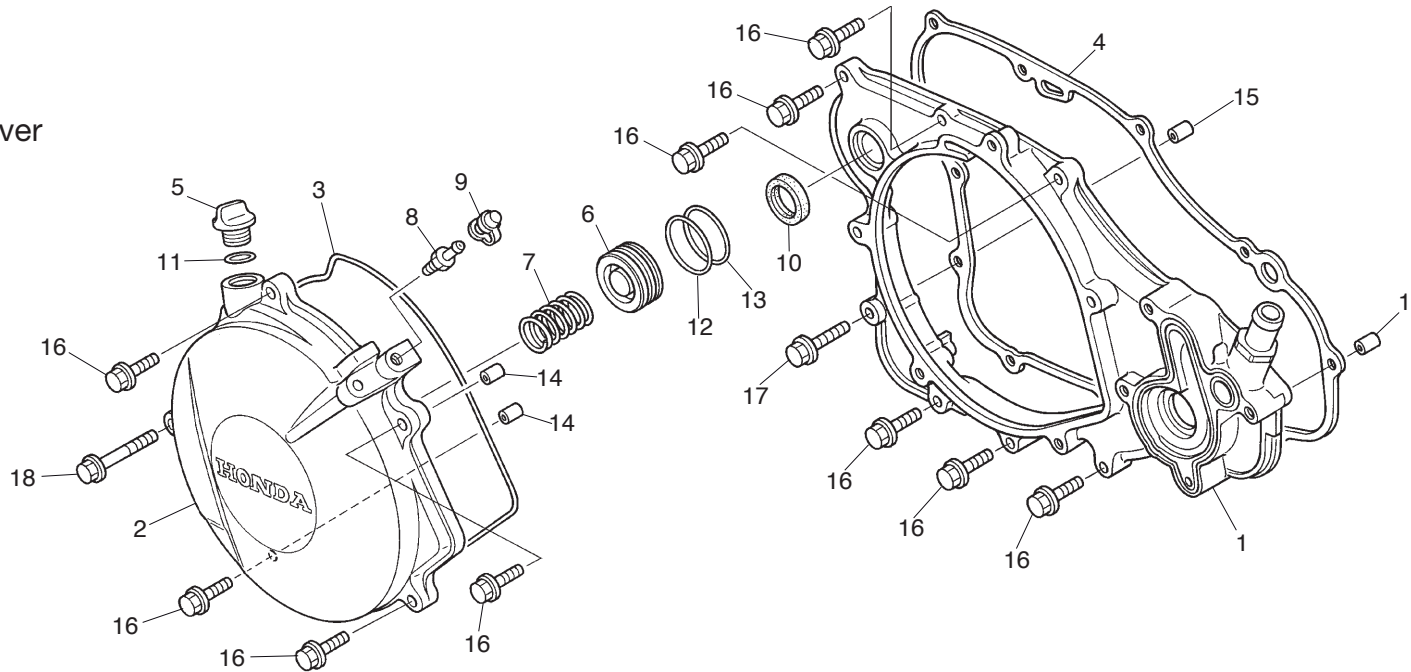


No.	Part Number	Description	Qty.	No.	Part Number	Description	Qty.
1	12100-NN4-D00	CYLINDER.....	1				
2	12191-NN4-003	GASKET, CYLINDER.....	1				
3	90463-ML7-000	WASHER, SEALING, 6.5mm.....	1				
4	94301-12200	PIN, DOWEL, 12X20.....	2				
5	96001-06028-00	BOLT, FLANGE, 6X28.....	1				

Block N.º

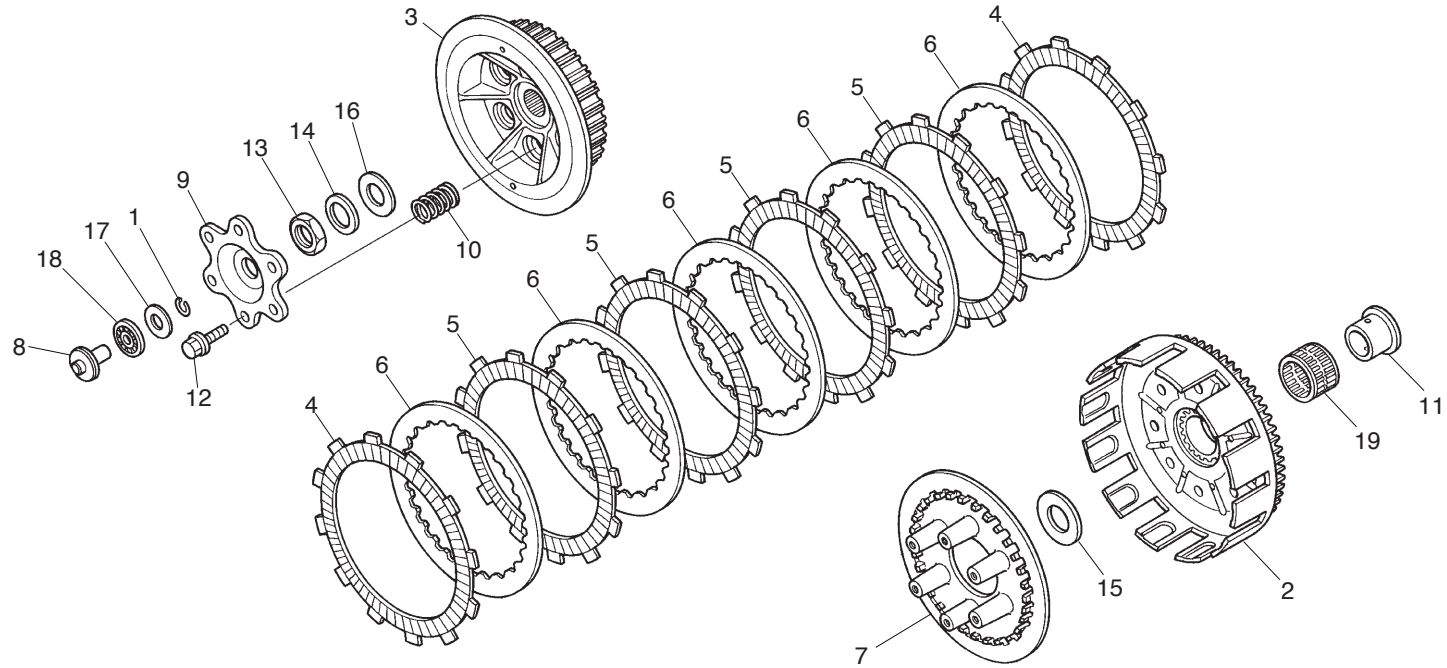
E-5

RH. Crankcase cover



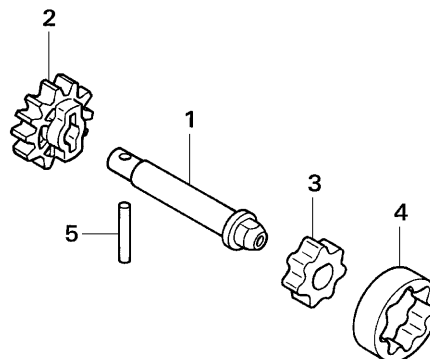
No.	Part Number	Description	Qty.	No.	Part Number	Description	Qty.
1	11330-NN4-000	COVER COMP., RH. CRANK CASE.....	1	17	96001-06035-00	BOLT, FLANGE, 6X35.....	1
2	11350-NN4-000	COVER COMP., CLUTCH	1	18	96001-06055-00	BOLT, FLANGE, 6X55.....	1
3	11352-NN4-003	GASKET, CLUTCH COVER.....	1				
4	11394-NN4-000	GASKET, RH. COVER	1				
5	15611-KA3-710	CAP, OIL FILLER	1				
6	22863-NN3-000	PISTON COMP., SLAVE CYLN.....	1				
7	22864-NN3-000	SPRING, SLAVE CYLN	1				
8	43352-568-003	SCREW, BLEEDER.....	1				
9	43353-461-771	CAP, BLEEDER.....	1				
10	91205-KA3-712	OIL SEAL, 16.5X25X5	1				
11	91305-PH7-003	O-RING, 11.9X2.4	1				
12	91312-371-013	O-RING, 23X2.1	1				
13	91312-NN3-003	O-RING, 21.8X2.4	1				
14	91320-KE1-000	PIN, DOWEL SPC. 8X7	2				
15	94301-08140	DOWEL PIN, 8X14	2				
16	96001-06028-00	BOLT, FLANGE, 6X28.....	10				

Block N.º
E-6
Clutch



No.	Part Number	Description	Qty.	No.	Part Number	Description	Qty.
1	13115-147-000	CLIP, PISTON PIN 10mm	1	17	90608-072-000	WASHER 12mm	1
2	22100-NN4-000	OUTER COMP., CLUTCH.....	1	18	91001-147-003	BEARING., NEEDLE 12mm.....	1
3	22121-NN4-000	CENTER, CLUTCH.....	1	19	91011-KS6-003	BEARING., NEEDLE 25X29X22	1
4	22201-KY2-000	DISK, CLUTCH FRICTION	2				
5	22201-NN4-B00	DISK, CLUTCH FRICTION (PAPER).....	4				
6	22321-MG3-000	PLATE, CLUTCH	5				
7	22351-NN4-000	PLATE, CLUTCH PRESSURE	1				
8	22352-NN4-000	PIECE, CLUTCH LIFTER.....	1				
9	22361-NN4-000	PLATE, CLUTCH LIFTER	1				
10	22402-NN4-000	SPRING, CLUTCH	6				
11	28237-KZ4-A10	COLLAR, CLUTCH OUTER.....	1				
12	90004-GHB-660	BOLT, FLANGE, NSHF, 6X22.....	6				
13	90201-NN3-000	NUT, 18mm	1				
14	90432-KF0-000	WASHER LOCK	1				
15	90456-KS6-000	WASHER, THRUST, 20mm	1				
16	90501-ML3-910	WASHER, 18X32X2.....	1				

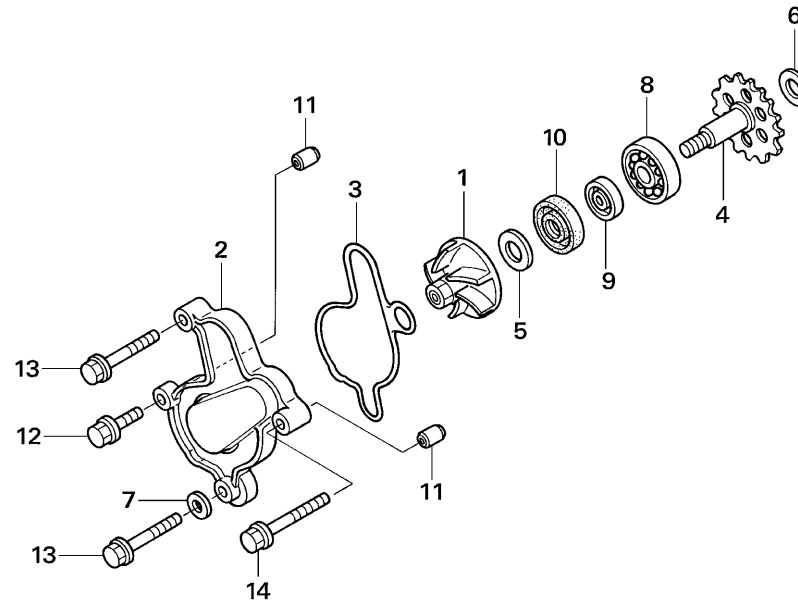
Block N.º
E-7
 Oil pump



FR. ←

No.	Part Number	Description	Qty.	No.	Part Number	Description	Qty.
1	15111-NN4-000	SHAFT, OIL PUMP	1				
2	15133-NN4-000	GEAR, OIL PUMP DRIVEN.....	1				
3	15331-324-000	ROTOR INNER OIL PUMP	1				
4	15332-324-000	ROTOR OUTER OIL PUMP.....	1				
5	96220-30178	ROLLER, 3X17.8	1				

Block N.º
E-8
Water pump



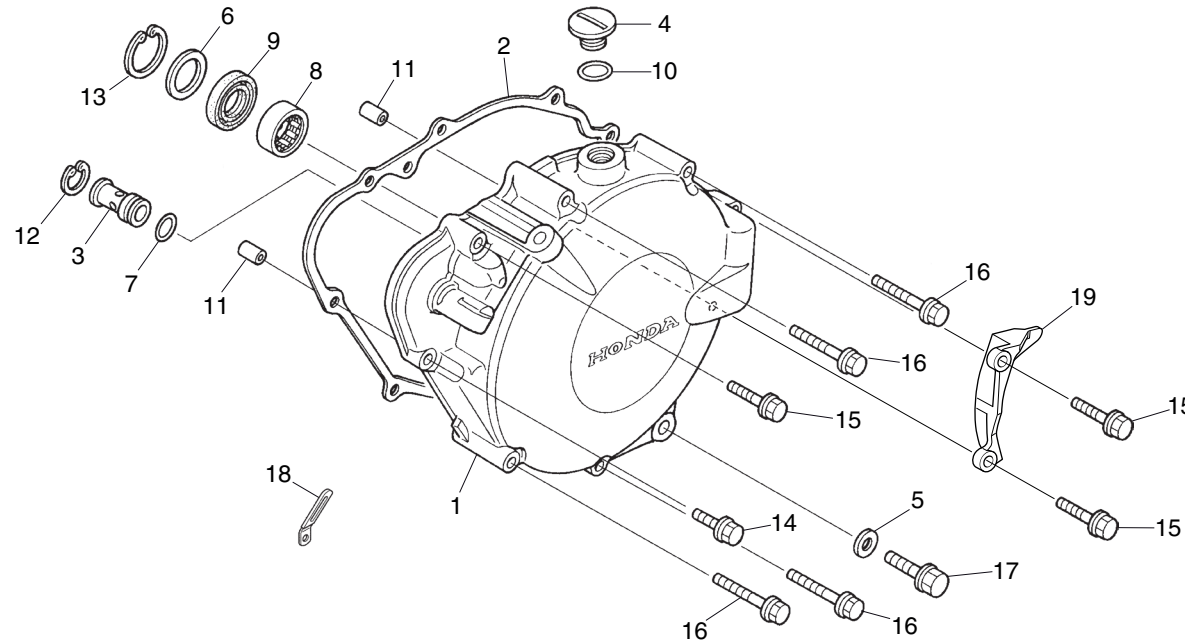
FR.

No.	Part Number	Description	Qty.	No.	Part Number	Description	Qty.
1	19215-GC4-731	IMPELLER, WATER PUMP.....	1				
2	19221-NN4-000	COVER, WATER PUMP.....	1				
3	19229-NN4-000	GASKET, W/P COVER.....	1				
4	19240-NN4-010	GEAR COMP., WATER PUMP.....	1				
5	90447-KE1-000	WASHER, SEALING, 7mm.....	1				
6	90456-333-000	WASHER, THRUST 11mm.....	1				
7	90463-ML7-000	WASHER, SEALING, 6.5mm.....	1				
8	91001-KA4-003	BEARING., BALL, 12X28X7.....	1				
9	91201-148-003	OIL SEAL, 12X22X5.....	1				
10	91211-KA3-761	SEAL, WATER PUMP.....	1				
11	91320-KE1-000	PIN, DOWEL SPC. 8X7.....	2				
12	96001-06025-00	BOLT, FLANGE, 6X25.....	1				
13	96001-06050-00	BOLT, FLANGE, 6X50.....	2				
14	96001-06060-00	BOLT, FLANGE, 6X60.....	1				

Block N.º

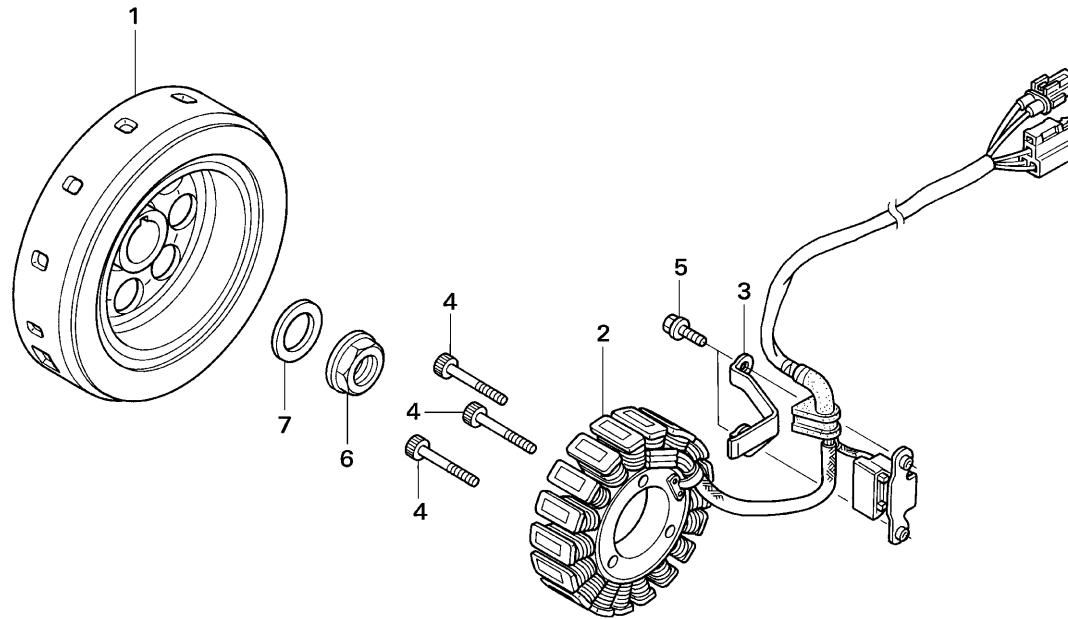
E-9

LH. Crankcase cover



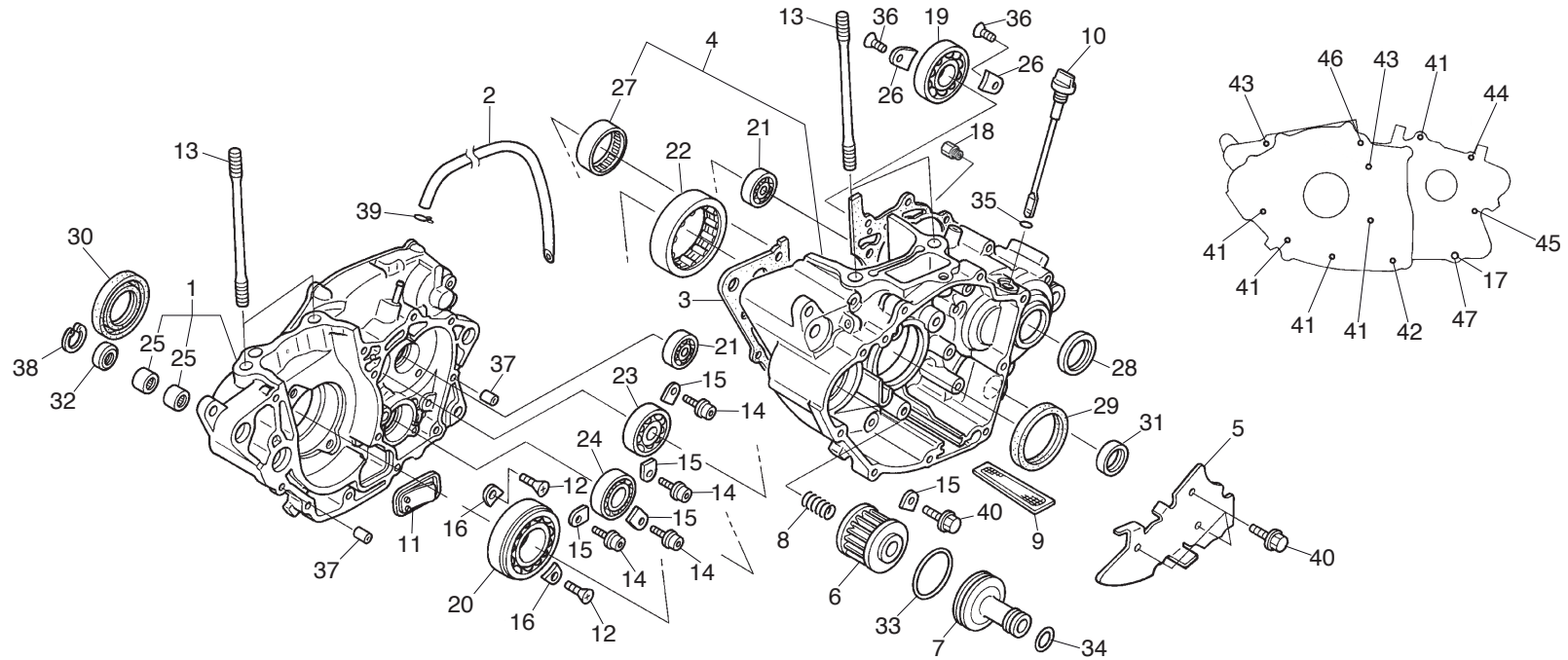
No.	Part Number	Description	Qty.	No.	Part Number	Description	Qty.
1	11340-NN4-010	COVER COMP., LH. CRANK CASE	1	17	96300-08035-00	BOLT, FLANGE, DR, 8X35.....	1
2	11395-NN4-000	GASKET, LH. COVER.....	1	18	91410-KT7-000	CLIP, 4X60.....	1
3	15220-MEB-770	VALVE ASSY., RELIEF	1	19	23811-NN4-N10	PROTECTOR SPKT, DRIVEN.....	1
4	90084-428-000	CAP, ACG.	1				
5	90441-ME9-000	WASHER, SEALING 8mm.....	1				
6	90454-GF9-000	WASHER, 20.2mm.....	1				
7	90751-GK1-003	O-RING 8.5X1.7	1				
8	91008-NN4-003	BEARING, NEEDLE 15X25X12	1				
9	91202-NN4-003	OIL SEAL, 15X26X5	1				
10	91303-377-000	O-RING, 13.8X2.5	1				
11	94301-08100	PIN, DOWEL 8X10	2				
12	94520-14000	CIRCLIP, IN, 14	1				
13	94520-28000	CIRCLIP, IN, 28	1				
14	96001-06028-00	BOLT, FLANGE, 6X28.....	1				
15	96001-06035-00	BOLT, FLANGE, 6X35.....	3				
16	96001-06050-00	BOLT, FLANGE, 6X50.....	4				

Block N.º
E-10
Generator



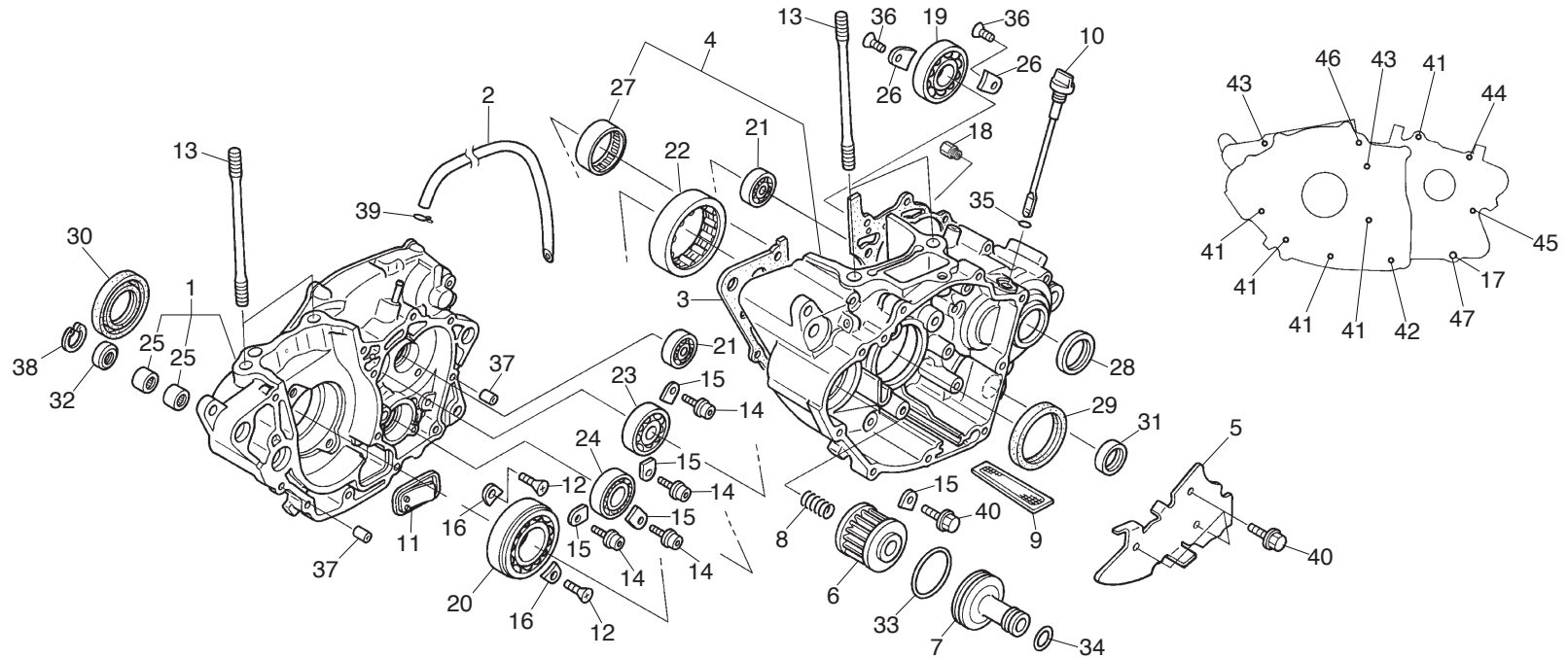
No.	Part Number	Description	Qty.	No.	Part Number	Description	Qty.
1	31110-NN4-003	FLYWHEEL COMP.....	1				
2	31120-NN4-B01	STATOR COMP.....	1				
3	31121-NN4-000	CLAMPER, ACG CORD	1				
4	90001-NN4-000	BOLT, SOCKET 5X28	3				
5	90005-896-000	BOLT, FLANGE 5X16.....	2				
6	90201-NN4-000	NUT, FLANGE 18mm	1				
7	90402-NN4-000	WASHER, 18mm.....	1				

Block N.º
E-11
Crankcase



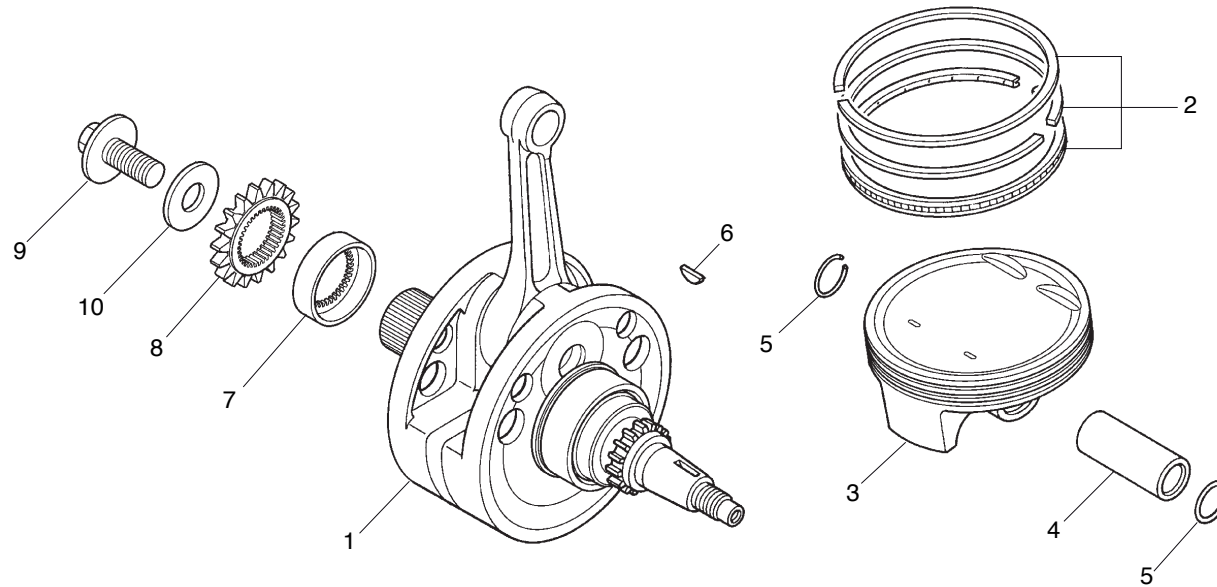
No.	Part Number	Description	Qty.	No.	Part Number	Description	Qty.
1	11100-NN4-B00	CRANKCASE COMP., RIGHT	1	17	90441-ME9-000	WASHER, SEALING 8mm.....	1
2	11105-NN4-000	TUBE, BREATHER	1	18	90901-NN4-P60	OIL JET #225	1
3	11191-NN4-000	GASKET, CRANKCASE.....	1	19	91001-KA3-711	BEARING, BALL, 6204.....	1
4	11200-NN4-G00	CRANKCASE COMP., LEFT	1	20	91001-KRN-671	BEARING, BALL RADIAL 30X72X16.....	1
5	11206-NN4-000	PLATE, CAM CHAIN GUIDE.....	1	21	91001-KZ4-J11	BEARING, BALL RADIAL 17X35X10.....	2
6	15412-MEN-671	FILTER COMP., ENGINE OIL.....	1	22	91002-NN4-003	BEARING, ROLLER SPL	1
7	15412-NN4-000	COVER, OIL FILTER.....	1	23	91004-KRN-671	BEARING, BALL RADIAL 22X47X14.....	1
8	15414-MEB-670	SPRING, OIL FILTER.....	1	24	91004-KY4-900	BEARING, BALL RADIAL 6905U.....	1
9	15421-NN4-000	SCREEN, OIL FILTER.....	1	25	91006-HA0-003	BEARING, NEEDLE 9mm.....	2
10	15650-NN4-000	GAUGE, OIL LEVEL	1	26	91012-KA3-710	PLATE, C-SHAFT BEARING.....	2
11	18601-MBW-003	REED VALVE COMP.	1	27	91022-KA4-740	BEARING, SHELL 33X38X8	1
12	90003-KRN-670	SCREW, FLAT SPL 6X12.....	2	28	91201-KS6-004	OIL SEAL, 26X37X7	1
13	90031-NN4-000	BOLT, STUD 10X110.....	4	29	91201-MEB-671	OIL SEAL, 35X52X7	1
14	90071-MF5-000	BOLT, SOCKET FLANGE 6X14	4	30	91202-MEB-671	OIL SEAL, 39X56X7	1
15	90441-KA4-700	PLATE, BEARING HOLD	5	31	91203-KA4-771	OIL SEAL, 14X22X5	1
16	90441-KRN-670	PLATE, BEARING HOLD	2	32	91204-HB3-004	OIL SEAL, 9X18X5	1

Block N.º
E-11
Crankcase



No.	Part Number	Description	Qty.	No.	Part Number	Description	Qty.
33	91302-PA9-003	O-RING, 39.8X2.2	1				
34	91303-HA0-003	O-RING, 11X1.9	1				
35	91316-MJ8-003	O-RING, 8.4X2.4	1				
36	93600-06010-0H	SCREW, FLAT 6X10	2				
37	94301-08140	DOWEL PIN, 8X14	2				
38	94520-19000	CIRCLIP, IN, 19	1				
39	95002-02100	CLIP B10, TUBE.....	1				
40	96001-06014-00	BOLT, FLANGE, 6X14.....	4				
41	96001-06045-00	BOLT, FLANGE, 6X45.....	5				
42	96001-06055-00	BOLT, FLANGE, 6X55.....	1				
43	96001-06070-00	BOLT, FLANGE, 6X70.....	2				
44	96001-06075-00	BOLT, FLANGE, 6X75.....	1				
45	96001-06080-00	BOLT, FLANGE, 6X80.....	1				
46	96001-06085-00	BOLT, FLANGE, 6X85.....	1				
47	96300-08070-00	BOLT, FLANGE, DR, 8X70.....	1				

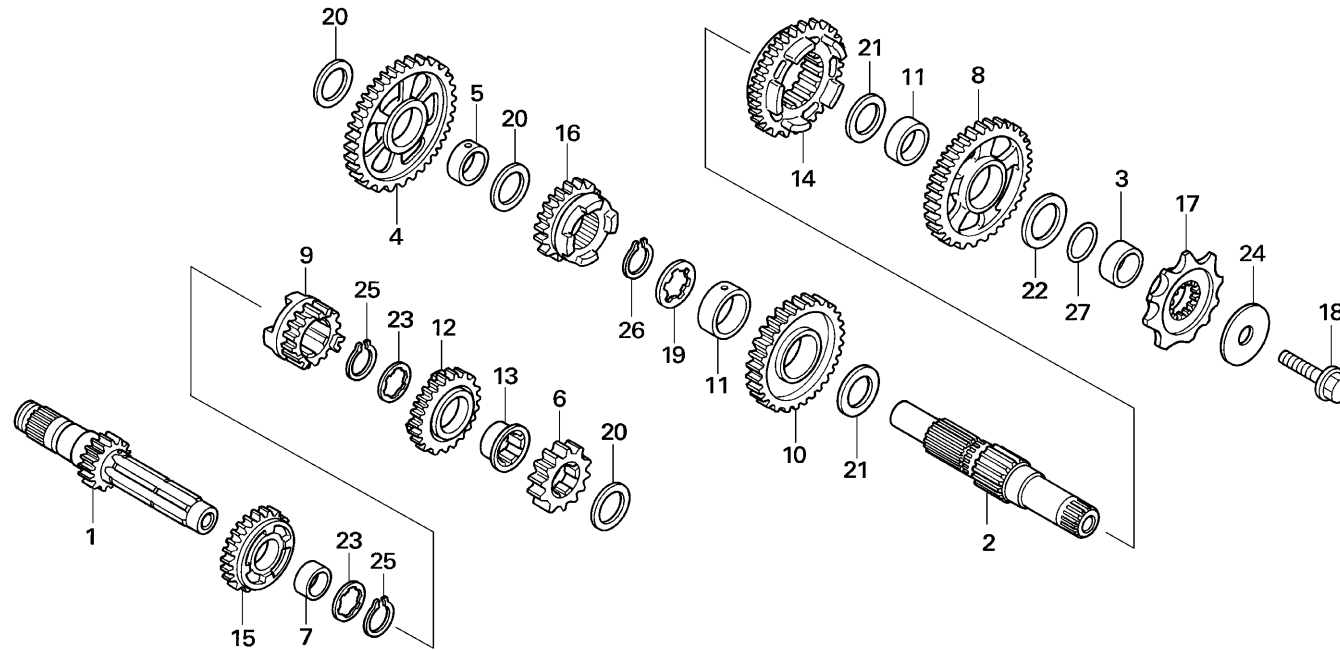
Block N.º
E-12
 Crankshaft
 Piston



FR. ←

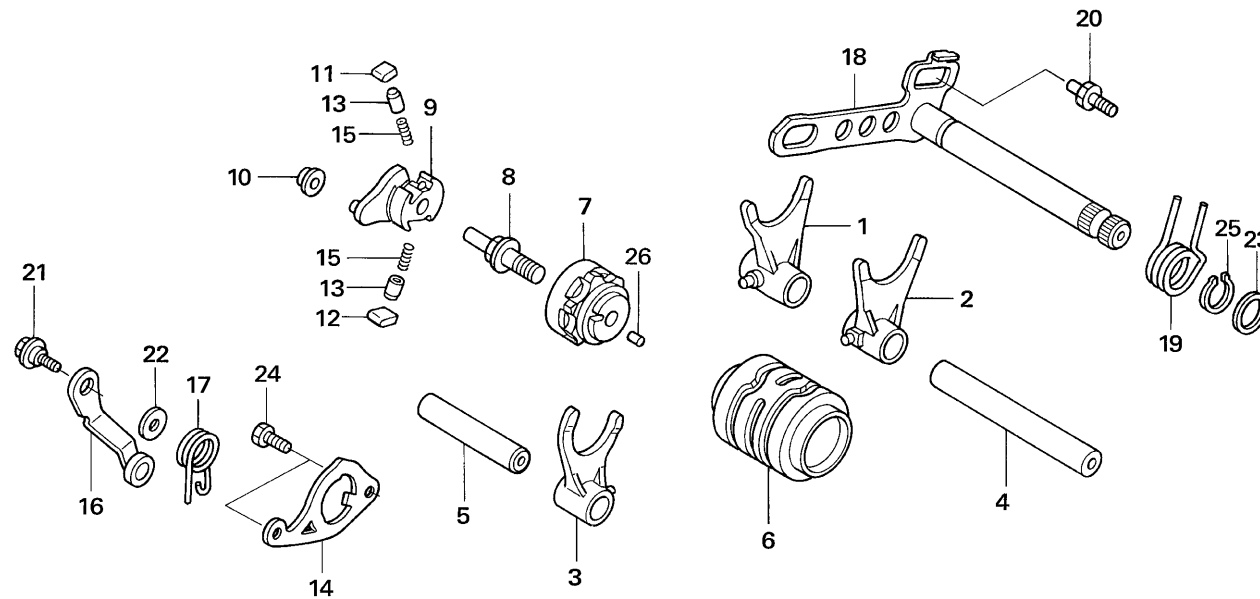
No.	Part Number	Description	Qty.	No.	Part Number	Description	Qty.
1	13000-NN4-D00	CRANK SHAFT COMP.	1				
2	13011-NN4-D00	RING SET, PISTON	1				
3	13101-NN4-D00	PISTON	1				
4	13111-KRN-850	PIN, PISTON	1				
5	13115-KM7-700	CLIP, PISTON PIN 16mm	2				
6	13331-Z8B-900	KEY SPECIAL WOODRUFF, 25X18	1				
7	13617-NN4-000	COLLAR, DRIVE GEAR	1				
8	23121-NN4-000	GEAR, PRIMARY DRIVE	1				
9	90013-NN4-000	BOLT, SPECIAL 12X27	1				
10	90402-KY4-900	WASHER, PLAIN, 12mm	1				

Block N.º
E-13
Transmission



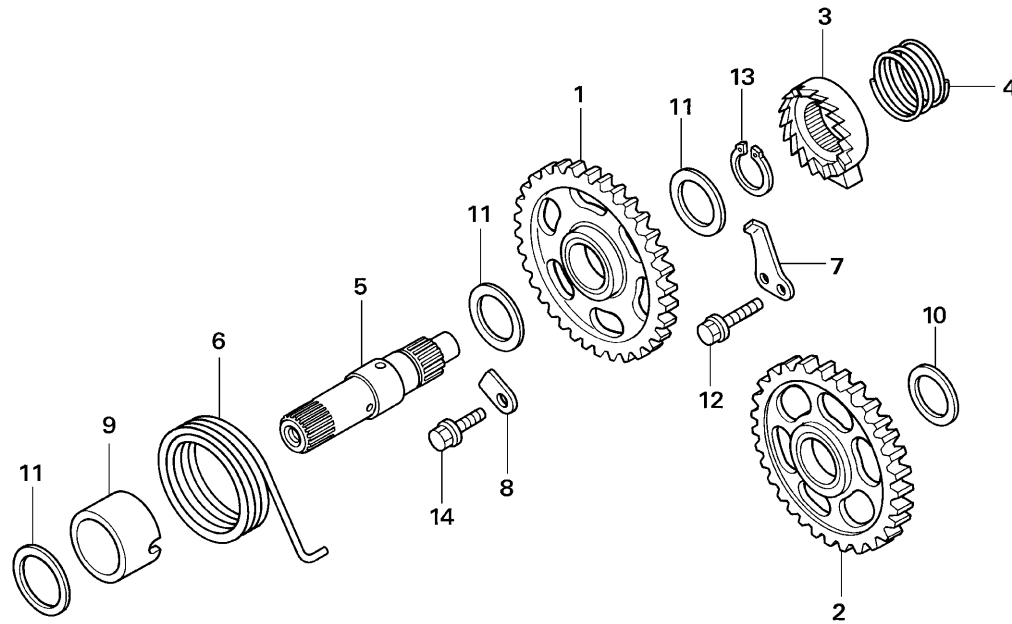
No.	Part Number	Description	Qty.	No.	Part Number	Description	Qty.
1	23211-NN4-000	SHAFT, MAIN	1	17	23801-NN4-000	SPROCKET, DRIVE 10T	1
2	23221-NN4-000	SHAFT, COUNTER	1	18	90112-413-000	BOLT, UBS 8X33	1
3	23225-KS6-000	COLLAR, C-SHAFT	1	19	90404-KW3-000	WASHER, THRUST, INV 22X21X1	1
4	23411-NN4-000	GEAR, C-LOW	1	20	90446-357-000	WASHER, THRUST 17.2mm	3
5	23413-NN4-000	COLLAR, 17mm	1	21	90452-KZ4-000	WASHER, THRUST 20X30X1	2
6	23421-NN4-000	GEAR, M-2ND	1	22	90453-KZ4-000	WASHER, THRUST 20X30X1.5	1
7	23422-GB4-770	BUSH, 20X9	1	23	90461-444-000	WASHER, SPLINE 20	2
8	23431-NN4-000	GEAR, C-2ND	1	24	90501-NN4-003	WASHER, SPRING 8X33	1
9	23441-NN4-000	GEAR, M-3RD	1	25	90601-360-000	SET RING 20mm	2
10	23451-NN4-000	GEAR, C-3RD	1	26	90602-360-000	SET RING 22mm	1
11	23452-NN4-000	COLLAR, C-3RD GEAR	2	27	91351-KA3-711	O-RING, 20mm	1
12	23461-NN4-000	GEAR, M-4TH	1				
13	23462-NN4-000	COLLAR, M-4TH GEAR	1				
14	23471-NN4-000	GEAR, C-4TH	1				
15	23481-NN4-000	GEAR, M-5TH	1				
16	23491-NN4-000	GEAR, C-5TH	1				

Block N.º
E-14
Gearshift drum



No.	Part Number	Description	Qty.	No.	Part Number	Description	Qty.
1	24211-KRN-730	FORK RH., GEAR SHIFT	1	17	24435-KA3-710	SPRING, DRUM STPR	1
2	24221-KRN-730	FORK LH., GEAR SHIFT	1	18	24610-NN4-000	SPDL COMP., GEAR SHIFT	1
3	24231-NN4-000	FORK C, GEAR SHIFT	1	19	24651-MEB-670	SPRING, SHIFT RETURN	1
4	24241-MEN-670	SHAFT A, SHIFT FORK	1	20	24652-HA0-000	PIN, GEAR SHIFT RETURN SPRING	1
5	24242-MEN-670	SHAFT B, SHIFT FORK	1	21	90022-MG8-000	PIVOT, SHIFT DRUM STOPPER ARM	1
6	24311-NN4-000	DRUM, GEAR SHIFT	1	22	90435-HB3-000	WASHER, 6.1mm	1
7	24312-KA3-741	CENTER, SHIFT DRUM	1	23	90451-155-000	WASHER, 14mm	1
8	24315-HA0-000	PIN. SHIFTER	1	24	93301-06016-0A	BOLT, HEX., 6x16mm	2
9	24321-KZ4-620	SHIFTER, DRUM	1	25	94510-14000	CIRCLIP, EX, 14	1
10	24322-MM4-000	COLLAR, DRUM SHIFTER	1	26	96220-40080	ROLLER, 4X8	1
11	24324-KA3-711	PAWL A, RATCHET	1				
12	24325-KA3-711	PAWL B, RATCHET	1				
13	24326-KBH-901	PLUNGER, PAWL	2				
14	24328-NN4-000	PLATE, GUIDE	1				
15	24329-KA3-740	SPRING, PAWL PLUNGER	2				
16	24430-NN4-000	STPR COMP., DRUM	1				

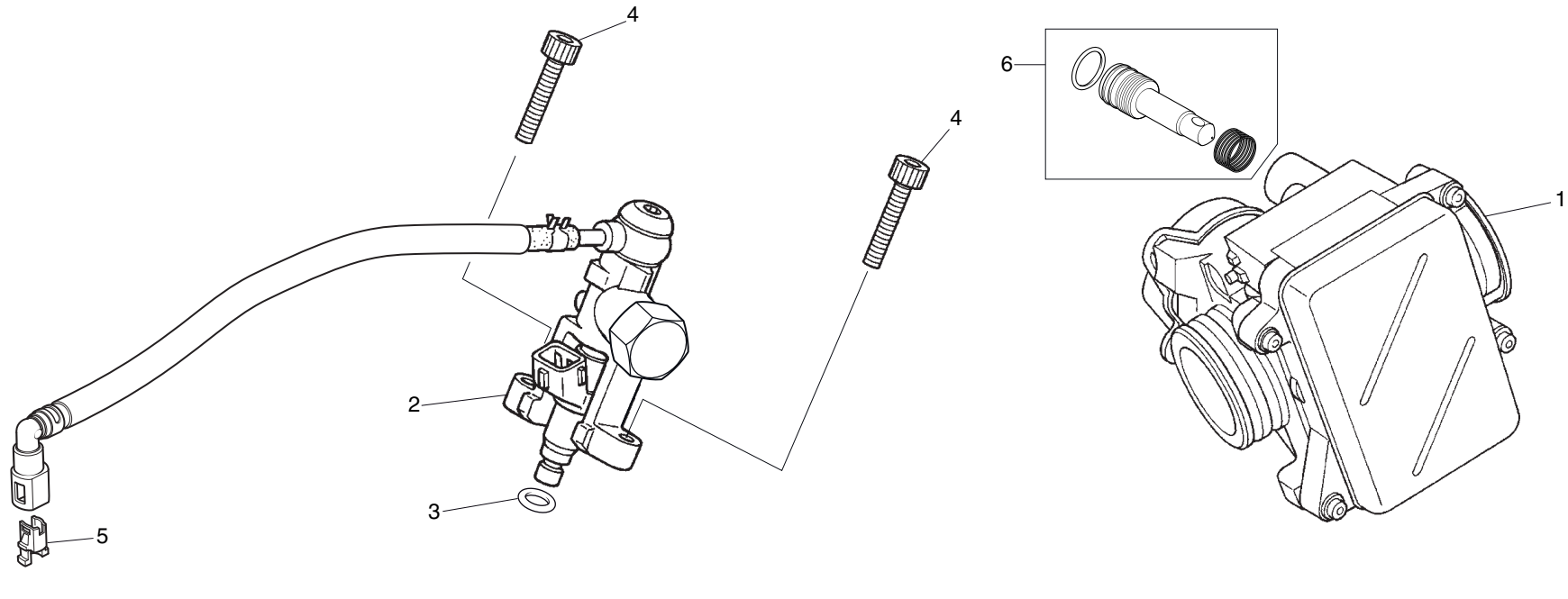
Block N.º
E-15
Kick starter spindle



FR. →

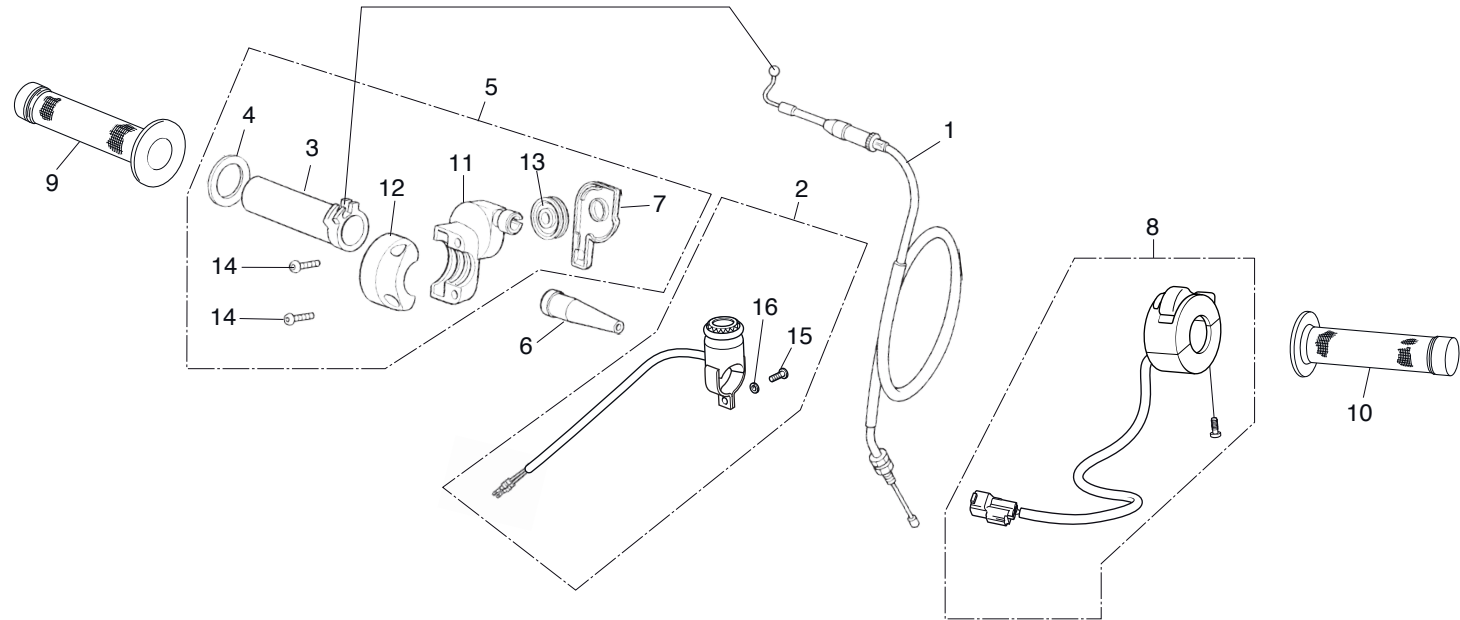
No.	Part Number	Description	Qty.	No.	Part Number	Description	Qty.
1	28210-NN4-000	PINION COMP., KICK STARTER	1				
2	28230-NN4-000	GEAR COMP., STARTER IDLE	1				
3	28241-KA3-710	RATCHET, STARTER	1				
4	28242-KA3-710	SPRING, RATCHET	1				
5	28251-NN4-000	SPINDLE, KICK START	1				
6	28261-KA3-710	SPRING, START RETURN.....	1				
7	28262-NN4-010	PLATE, RATCHET SLIDER	1				
8	28263-NN4-000	PLATE, KICK SPRING	1				
9	28282-NN4-000	COLLAR, KICK SPRING	1				
10	90452-178-000	WASHER, THRUST 17mm.....	1				
11	90501-444-000	WASHER, 16.8X24	3				
12	90085-MCS-000	BOLT, TORX., 6 MM	1				
13	94510-16000	CIRCLIP, EX, 16.....	1				
14	96001-06014-00	BOLT, FLANGE, 6X14.....	1				

Block N.º
E-16
Throttle body
Injector



No.	Part Number	Description	Qty.	No.	Part Number	Description	Qty.
1	16400-NN4-P11	THROTTLE BODY ASSY (ED)	1				
	16400-NN4-P31	THROTTLE BODY ASSY (3ED)	1				
2	16420-NN4-L10	HOLDER INJECTOR ASSY.	1				
3	91302-PNA-003	O-RING, 7.8X1.9	1				
4	96700-06022-00	SOCKET BOLT 6X22	2				
5	17711-S0X-931	RETAINER	1				
6	16016-NN4-003	SCREW SET	1				

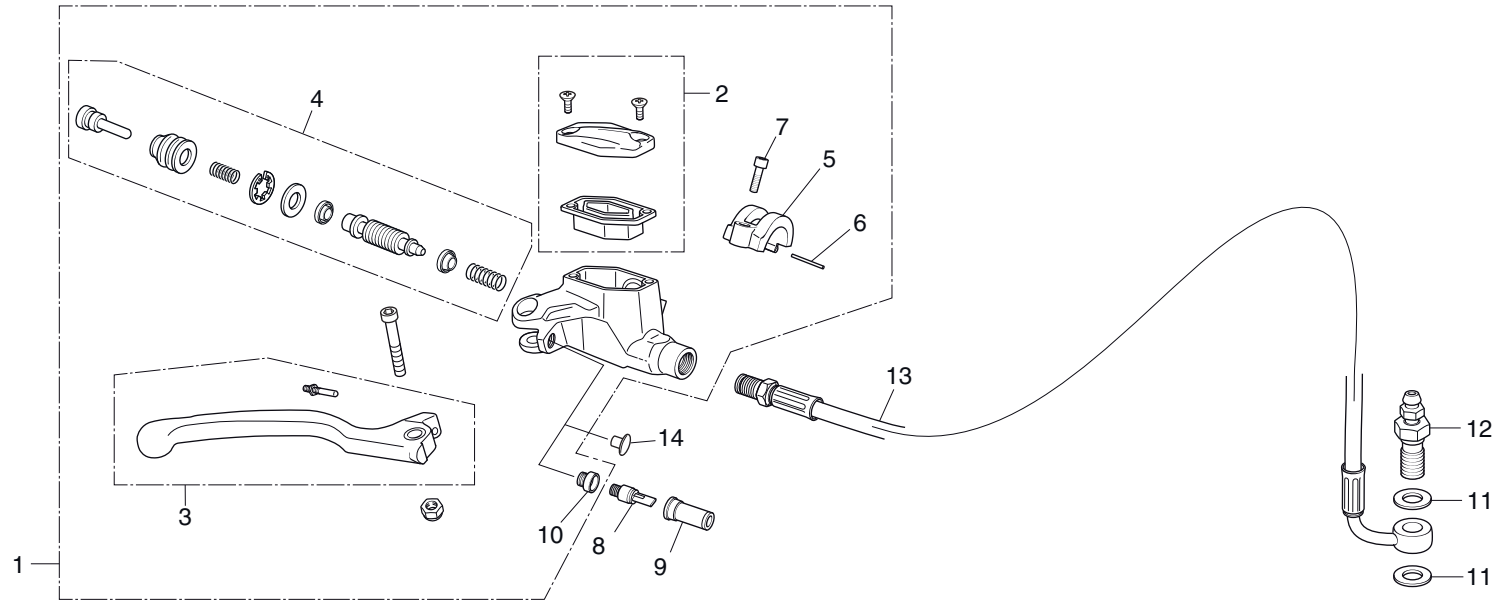
Block N.º
F-1
Cable
Switch



FR.

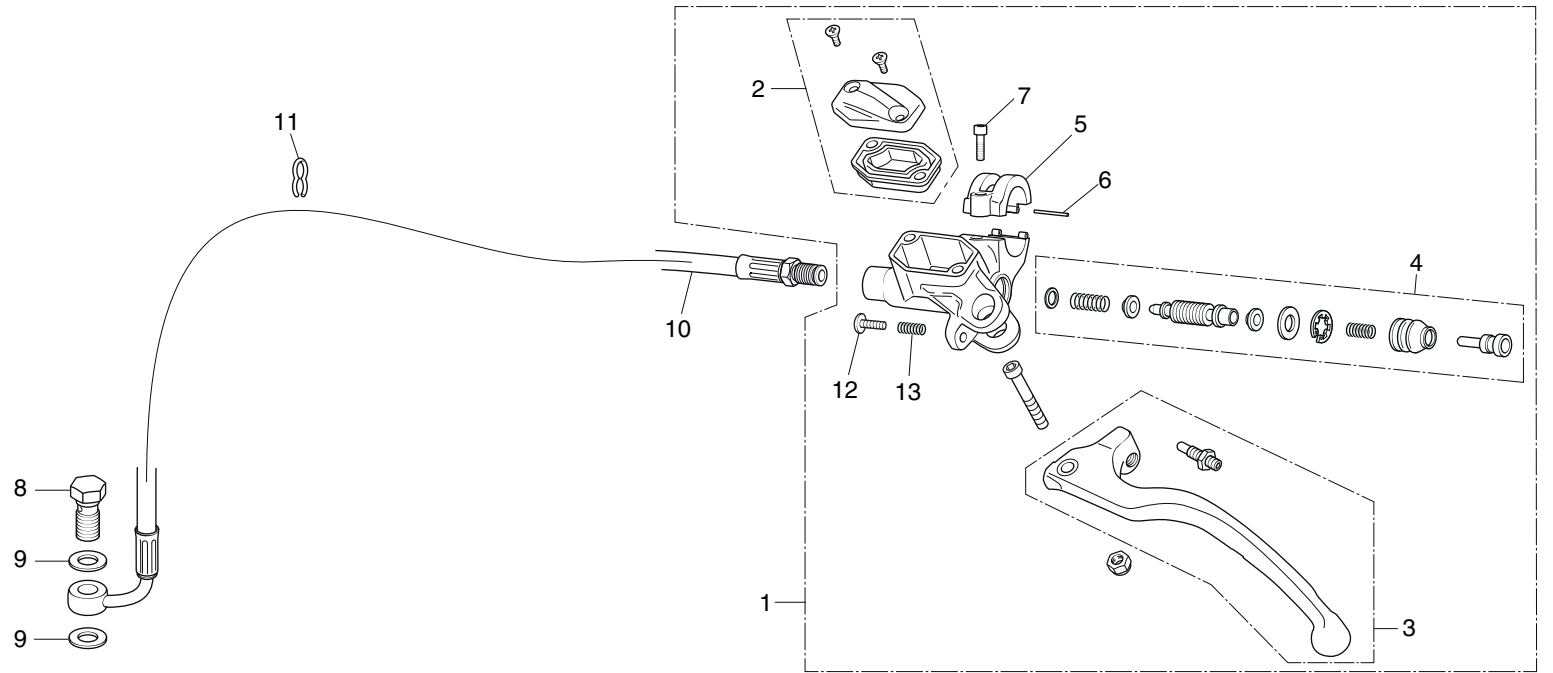
No.	Part Number	Description	Qty.	No.	Part Number	Description	Qty.
1	17910-NN4-B01	CABLE COMP., THROT.....	1				
2	35130-NN4-M10	SW ASSY., KILL	1				
3	53141-NN4-000	PIPE, THROT GRIP	1				
4	53142-NN3-000	RING, LEAF	1				
5	53160-NN4-000	SUB ASSY., THROTTLE.....	1				
6	53161-NN3-000	COVER, THROT CABLE.....	1				
7	53163-NN2-900	COVER, THROT HOUSING.....	1				
8	35150-NN4-L10	SWITCH ASSY., LIGHT (ED).....	1				
9	53165-NN4-V11	GRIP R, HANDLE	1				
10	53166-NN4-V11	GRIP L, HANDLE.....	1				
11	53167-NN2-900	HOUSING UP, THROT	1				
12	53168-NN2-900	HOUSING LWR, THROT	1				
13	53169-NN2-900	PULLEY, THROT	1				
14	90107-NN3-000	SOCKET BOLT, 5X16	2				
15	93500-04012-1A	SCREW, PAN 4X12	1				
16	94111-04000	WASHER, SPRING 4mm.....	1				

Block N.º
F-2
 Front brake master cylinder



No.	Part Number	Description	Qty.	No.	Part Number	Description	Qty.
1	45500-NN4-N10	M/C ASSY., FR	1				
2	45540-NN4-J10	TANK CAP	1				
3	53170-NN4-K20	LEVER ASSY. RH	1				
4	45530-NN4-J10	PISTON SET	1				
5	22882-NN4-L60	BRAKE LEVER HOLDER	1				
6	90089-NN4-L60	PIN HOLDER	1				
7	90088-NN4-J10	BOLT, SOCKET 5X16	1				
8	35350-NN4-600	SWITCH ASSY. FRONT CALIPER (ED)	1				
9	35351-NN4-601	RUBBER COVER (ED)	1				
10	35343-NN4-N10	SOCKET FR BRK SW (ED)	1				
11	90548-NN4-J10	WASHER, OIL BOLT	2				
12	90005-NN4-J10	BLEEDER BOLT M8X100	1				
13	45125-NN4-J11	HOSE, FR BRAKE	1				
14	35344-NN4-N30	CAP HOLE, SWITCH (3ED)	1				

Block N.º
F-3
Clutch master cylinder

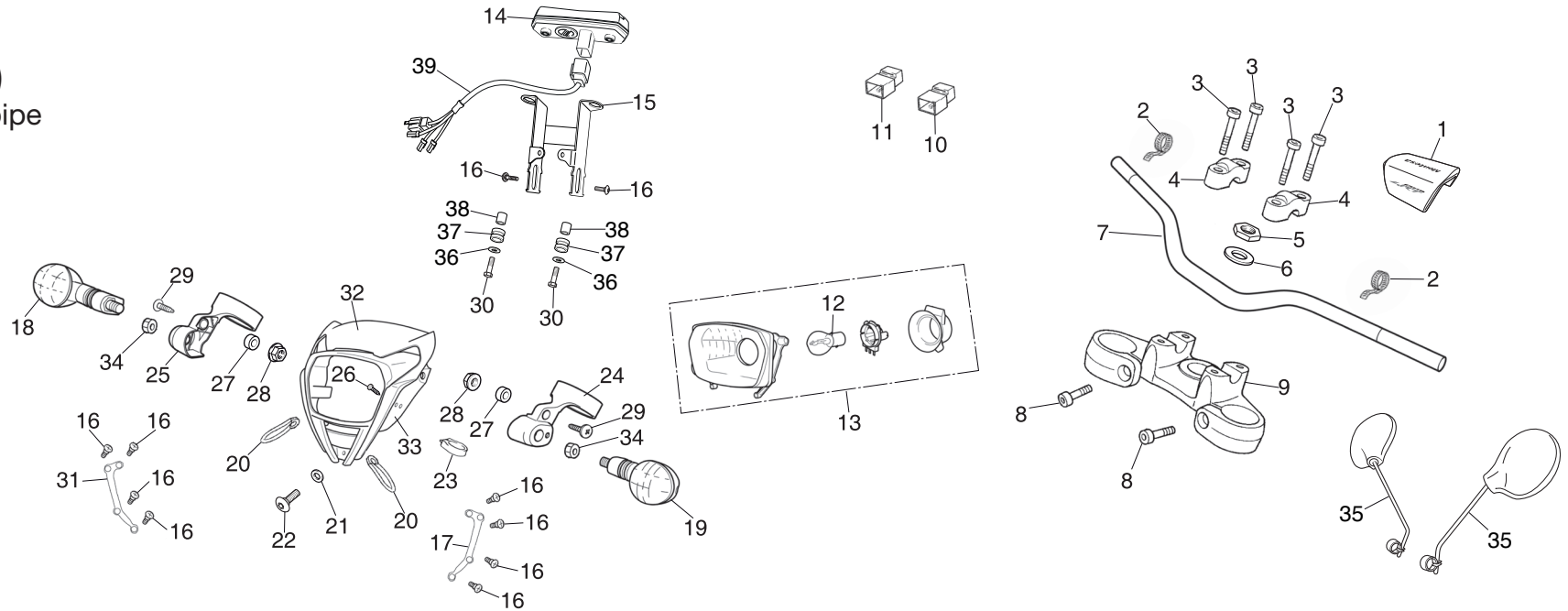


No.	Part Number	Description	Qty.	No.	Part Number	Description	Qty.
1	22880-NN4-N10	M/C ASSY., CLUTCH	1				
2	22883-NN4-J10	TANK CAP	1				
3	53180-NN4-J10	LEVER ASSY.	1				
4	45530-NN4-N10	PISTON SET, CLUTCH.....	1				
5	22882-NN4-L60	CLUTCH LEVER HOLDER	1				
6	90089-NN4-L60	PIN HOLDER.....	1				
7	90088-NN4-J10	BOLT, SOCKET 5X16	1				
8	90145-NN4-J10	OIL BOLT, 10X21	1				
9	90545-NN4-J10	WASHER, OIL BOLT	2				
10	22900-NN4-J11	HOSE, CLUTCH.....	1				
11	90658-NN4-J10	CLIP	1				
12	53172-NN4-J30	BOLT	1				
13	53173-NN4-J30	SPRING.....	1				

Block N.º

F-4 (ED)

Steering handle pipe
Top bridge
Head light

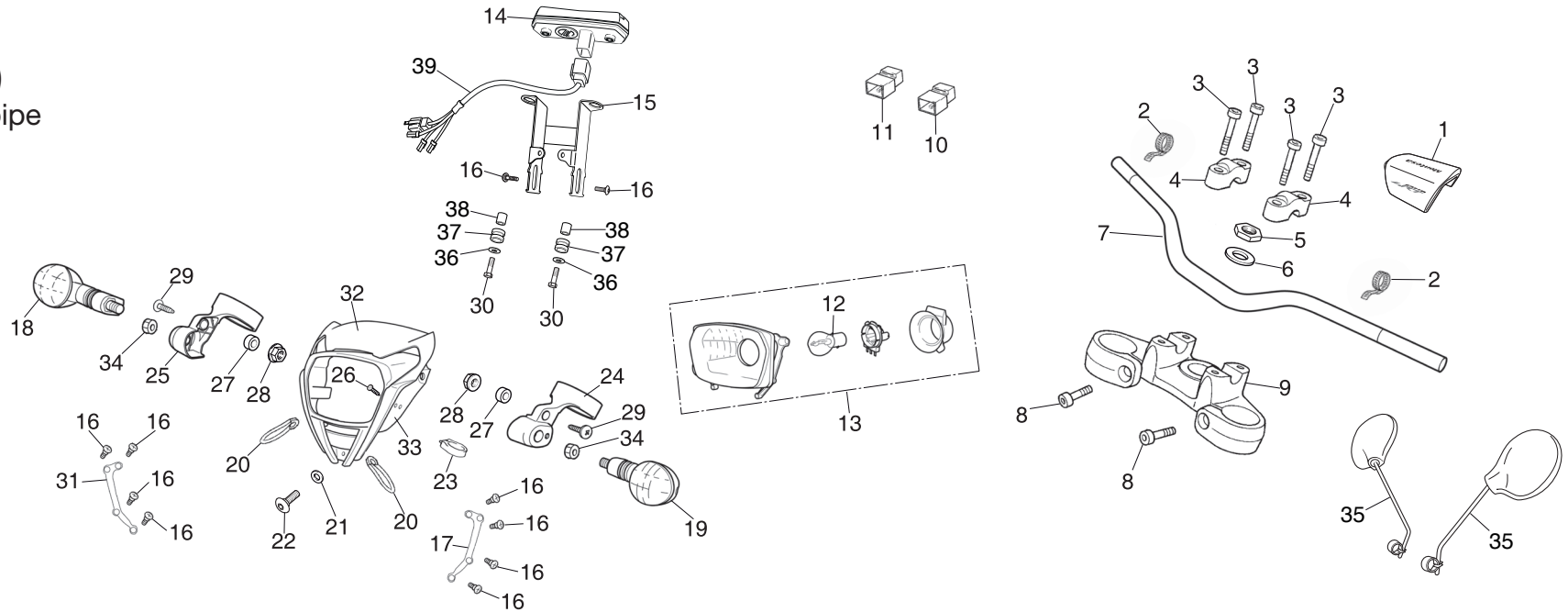


No.	Part Number	Description	Qty.	No.	Part Number	Description	Qty.
1	53121-NN4-V11	PAD PROTECTOR.....	1	17	61314-NN4-C10	STAY LH HEAD LIGHT	1
2	90602-NN4-600	TIE-BAND 150mm.....	2	18	33400-NN4-J10	WINKER ASSY RH FR	1
3	90124-KZ4-J40	BOLT, HEX. M8X35	4	19	33450-NN4-J10	WINKER ASSY LH FR	1
4	53131-NN4-J10	HOLDER, (HANDLE PIPE) UPPER.....	2	20	94591-27000	CLIP 2x70 MM	2
5	90304-MEE-D00	NUT, TOP BRIDGE.....	1	21	90526-NN4-C10	WASHER.....	1
6	53215-MEE-D00	WASHER, TOP BOLT	1	22	90121-NN4-C10	BOLT 6X10	1
7	53100-NN4-V11	PIPE, STRIG HANDLE "NEKEN".....	1	23	45468-NN2-000ZA	BRAKE HOSE GUIDE.....	1
8	96600-080-2810	SOCKET BOLT 8X28	2	24	61391-NN4-C10	STAY LH H/L CASE	1
9	53230-NN4-K10	TOP BRIDGE FORK	1	25	61390-NN4-C10	STAY RH H/L CASE	1
10	38500-GC7-612	RELAY ASW. START	1	26	93913-14180	SCREW 4X10.....	1
11	38300-NN4-G10	RELAY, ASSY. WINKER	1	27	90506-NN4-C10	COLLAR	2
12	34901-NN2-900	BULB, HEAD LIGHT	1	28	90206-NN4-C10	NUT HEX 6 MM	2
13	33100-NN4-C10	LIGHT ASSY. HEAD	1	29	90120-NN4-C10	BOLT 6X20	2
14	37200-NN4-P10	SPEEDOMETER.....	1	30	92301-04012-0A	BOLT 4X12	2
15	61319-NN4-P10	SPEEDOMETER STAY	1	31	61313-NN4-C10	STAY RH HEAD LIGHT	1
16	90129-NN4-C10	BOLT BZ 4,2X16 (DIN 7981)	10	32	61320-NN4-C10ZB	VISOR H/L	1

Block N.º

F-4 (ED)

Steering handle pipe
Top bridge
Head light

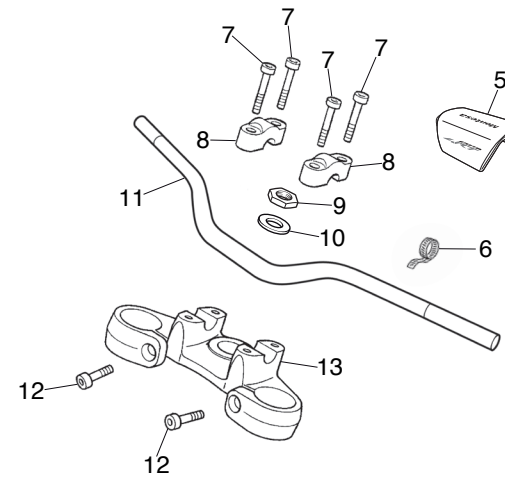
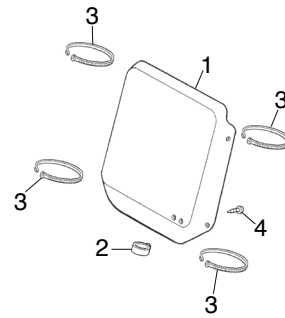


No.	Part Number	Description	Qty.	No.	Part Number	Description	Qty.
33	61310-NN4-C10ZB	CASE GEAD LIGHT BLACK.....	1				
34	94050-10000	NUT FLANGE 10 MM	2				
35	88100-NN4-H11	REAR VIEW MIRROR.....	2				
36	94103-04700	WASHER Ø4	2				
37	18345-MBT-610	RUBBER.....	2				
38	90507-NN4-P10	COLLAR 8X4.3X5.....	2				
39	37105-NN4 -P10	SPEEDOMETER HARNESS.....	1				

Block N.º

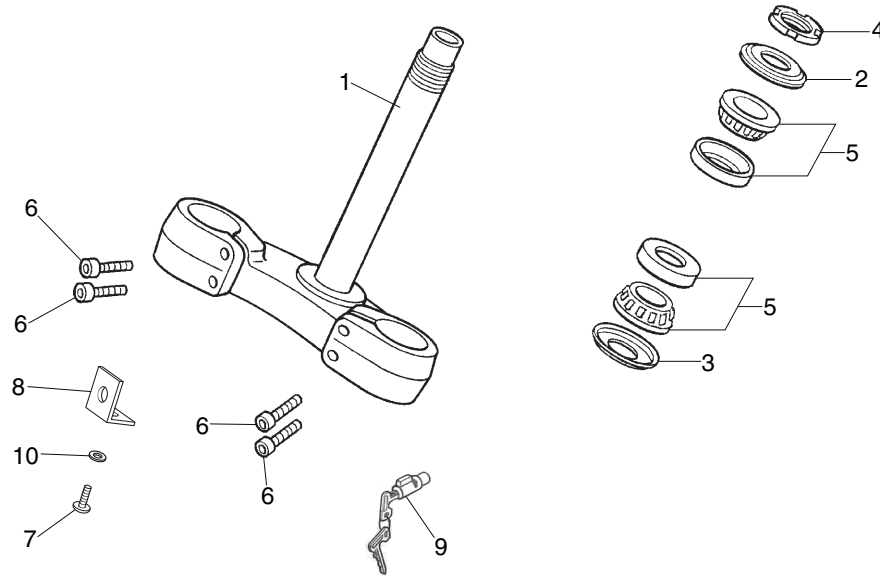
F-4 (3ED)

Steering handle pipe
Top bridge



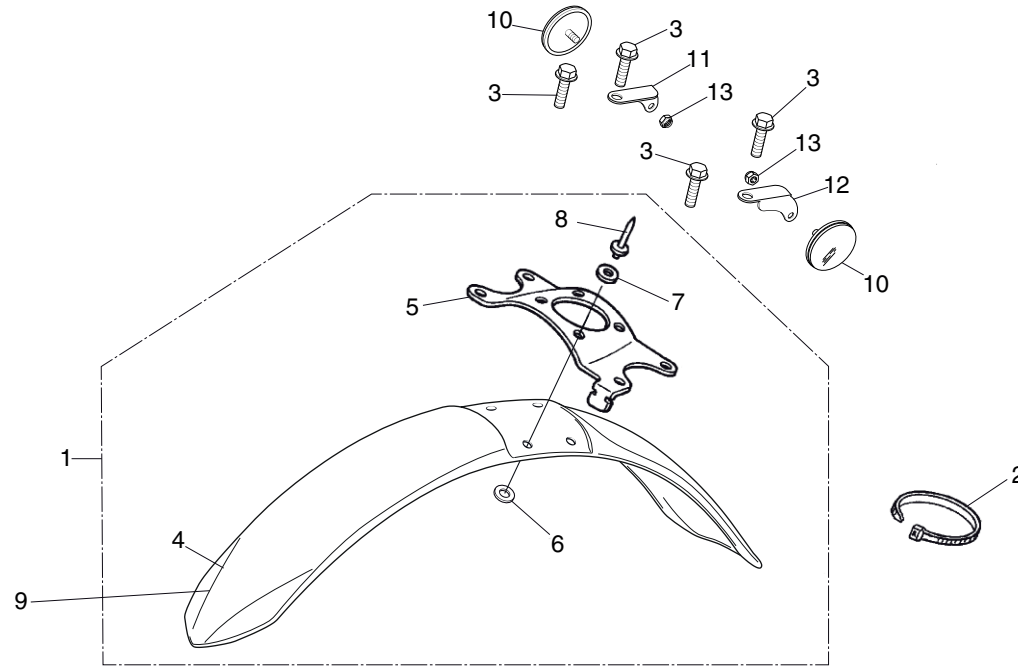
No.	Part Number	Description	Qty.	No.	Part Number	Description	Qty.
1	61301-NN3-000	PLATE NUMBER	1				
2	45468-NN2-000ZB	GUIDE, BRK HOSE	1				
3	61312-NN4-D10	TIE BAND	4				
4	93913-14180	SCREW, TAPPING 4X10	1				
5	53121-NN4-V11	PAD PROTECTOR	1				
6	90602-NN4-600	TIE-BAND 150mm.....	1				
7	90124-KZ4-J40	BOLT, HEX. M8X35	4				
8	53131-NN4-J10	HOLDER, (HANDLE PIPE) UPPER.....	2				
9	90304-MEE-D00	NUT, TOP BRIDGE.....	1				
10	53215-MEE-D00	WASHER, TOP BOLT	1				
11	53100-NN4-V11	PIPE, STRIG HANDLE "NEKEN"	1				
12	96600-080-2810	SOCKET BOLT 8X28	2				
13	53230-NN4-K10	FORK TOP BRIDGE	1				

Block N.º
F-5
Steering stem



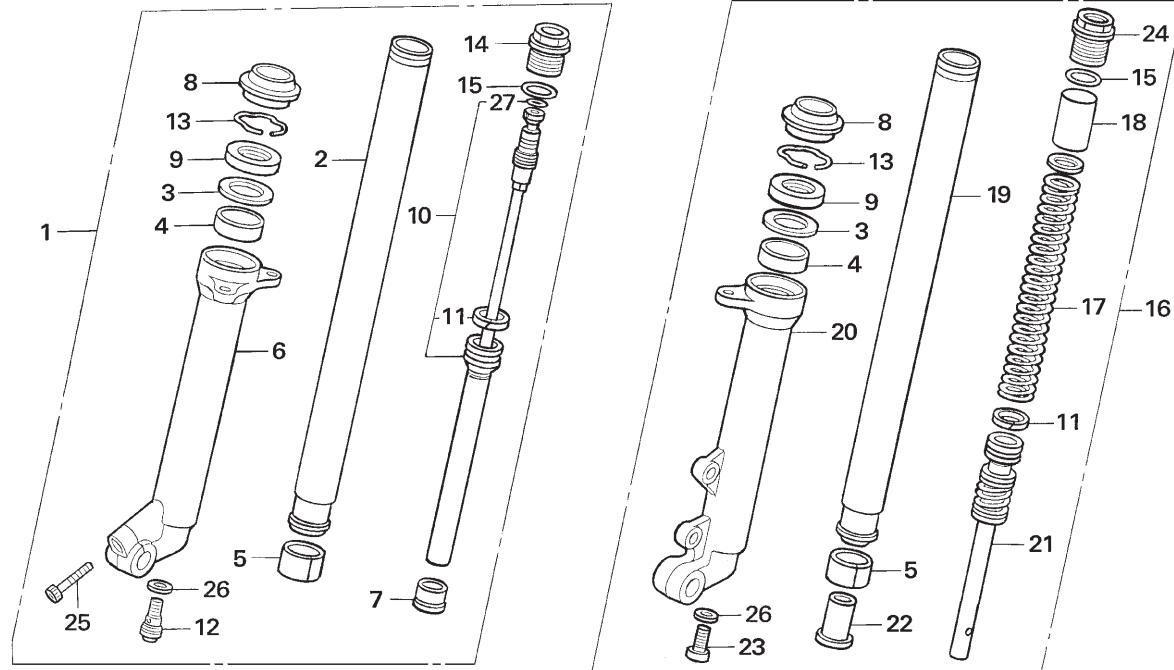
No.	Part Number	Description	Qty.	No.	Part Number	Description	Qty.
1	53200-NN4-K10	STEM COMP., STRG	1				
2	53214-KCY-671	DUST SEAL.....	1				
3	53214-KA4-701	DUST SEAL.....	1				
4	53229-NN4-G00	THREAD, STRG	1				
5	91015-425-831	BEARING, HEAD PIPE UP	2				
6	96600-08025-10	SOCKET BOLT, 8X25	4				
7	90114-NN4-C10	BRAKE PLATE, BOLT	1				
8	61315-NN4-C10	HEAD CASE, BRAKE PLATE (ED)	1				
9	53600-NN4-J10	LOCK COMP. HANDLE (ED)	1				
10	90525-NN4-C10	WASHER 5MM (3ED)	1				

Block N.º
F-6
 Front fender



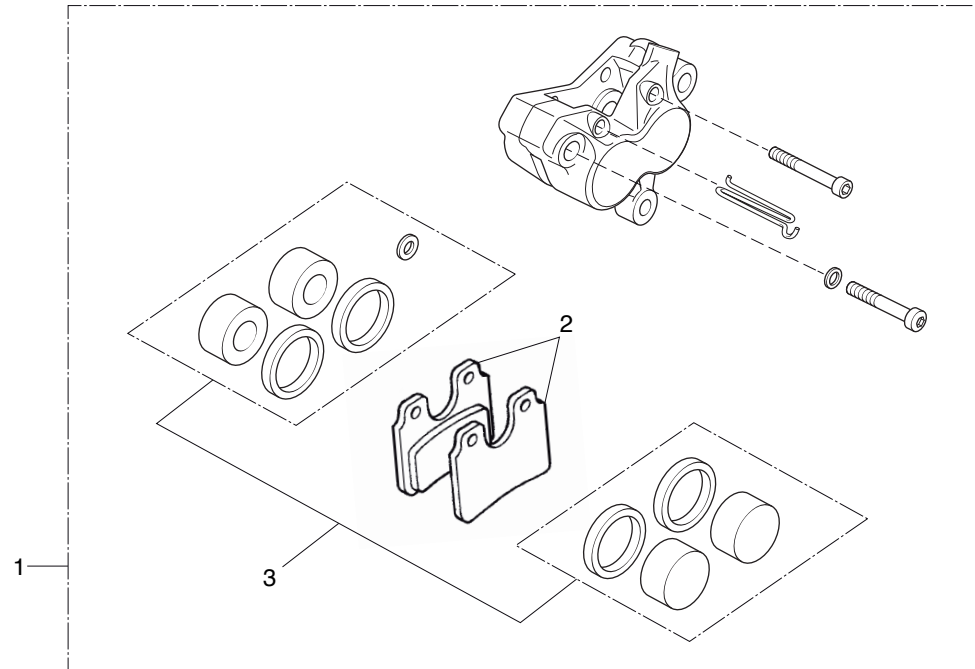
No.	Part Number	Description	Qty.	No.	Part Number	Description	Qty.
1	61100-NN4-V10	FENDER COMP., FR	1				
2	90602-NN4-600	TIE-BAND BLACK 150mm.....	1				
3	96001-06014-00	BOLT, FLANGE SH 6X14.....	4				
4	61050-NN4-V10	FRONT FENDER WITH DECALS	1				
5	61105-NN4-S10	STRAY, FRONT FENDER	1				
6	61102-NN3-820	SPECIAL WASHER	4				
7	94101-05000	WASHER, PLAIN 5 MM.....	4				
8	90851-NN4-B00	RIVET 4,8 x 14 MM	4				
9	61101-NN4-K10AB	FRONT FENDER WITHOUT DECALS	1				
10	33741-NN4-M11	REFLEX REFLECTOR (ED).....	2				
11	33742-NN4-M10	STAY RH REFLECTOR (ED)	1				
12	33743-NN4-M10	STAY LH REFLECTOR (ED).....	1				
13	90201-NN4-600	NUT M4 (ED)	2				

Block N.º
F-7
Front fork (Showa)



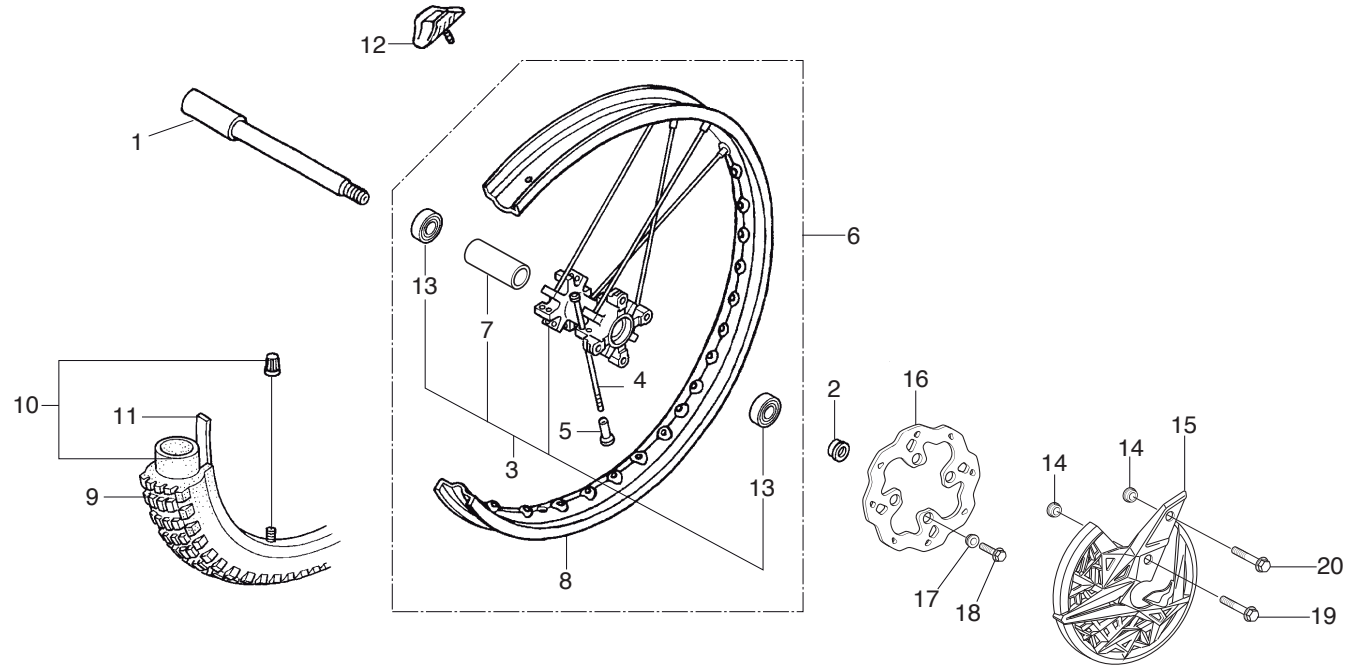
No.	Part Number	Description	Qty.	No.	Part Number	Description	Qty.
1	51400-NN4-G11	FORK ASSY., RH. FR	1	17	51501-NN4-003	SPRING, FR FORK.....	1
2	51410-NN4-003	PIPE COMP., RH. FR FROK	1	18	51502-NN3-821	COLLAR, SPRING.....	1
3	51412-NN4-003	SEAL SPACER	2	19	51510-NN4-003	PIPE COMP., LH. FR FROK	1
4	51414-NN4-G01	BUSH, GUIDE	2	20	51520-NN3-821	CASE, L. BOTTOM.....	1
5	51415-NN4-G01	BUSH, SLIDE	2	21	51530-NN4-003	CYLINDER COMP., FR.....	1
6	51420-NN4-003	CASE, RH. BOTTOM.....	1	22	51531-NN3-821	PIECE, OIL LOCK.....	1
7	51421-NN3-821	PLATE, CENTERING	1	23	51541-NN3-821	BOLT,CENTER.....	1
8	51422-NN3-821	SEAL, DUST.....	2	24	51550-NN4-G01	BOLT COMP., LH. FR FORK	1
9	51425-NN3-821	SEAL, OIL.....	2	25	90116-383-721	BOLT, SOCKET, 8mm.....	1
10	51430-NN4-G01	DAMPER COMP., RH. FR	1	26	90544-KS7-003	WASHER, SPECIAL	2
11	51437-MN5-003	RING, PISTON.....	2	27	91311-MR7-003	O-RING	1
12	51441-NN4-G01	BOLT COMP., RH. CENTER	1				
13	51447-MK7-671	RING, OIL SEAL STOP.....	2				
14	51450-NN4-G01	BOLT, R. FR FORK	1				
15	51458-NN3-821	O-RING	2				
16	51500-NN4-G11	FORK ASSY., LH. FR.....	1				

Block N.º
F-8
 Front brake caliper



No.	Part Number	Description	Qty.	No.	Part Number	Description	Qty.
1	45100-NN4-N10	CALIPER ASSY., FR	1				
2	06455-NN4-T10	PAD SET COMP., FR.	1				
3	45120-NN3-305	PISTON SET, FR CALIPER.....	1				

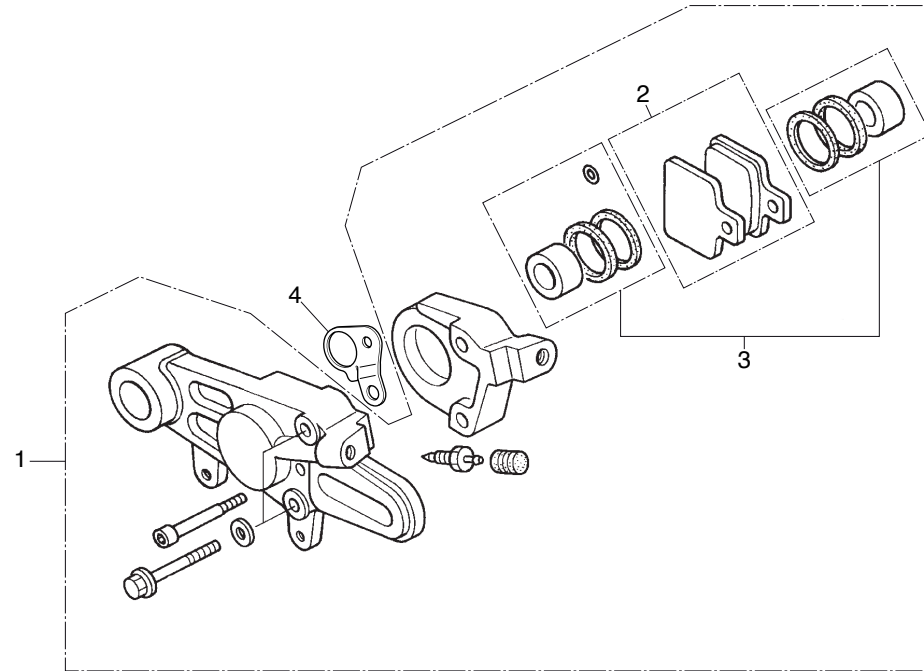
Block N.º
F-9
Front wheel



FR.

No.	Part Number	Description	Qty.	No.	Part Number	Description	Qty.
1	44301-NN3-000	AXLE, FR WHEEL.....	1	17	45352-NN4-P10	COLLAR, FR DISK	4
2	44311-NN4-000	COLLAR L., FR WHEEL	1	18	90026-NN4-P60	BOLT, BRK DISK 6X18.....	4
3	44602-NN4-J20	HUB ASSY., FR WHEEL.....	1	19	96300-08032-00	BOLT, SOCKET 8X32	1
4	44603-NN4-J10	SPOKE, FR.....	32	20	96300-08055-00	BOLT, SOCKET 8X55	1
5	44608-NN4-J10	NIPPLE, SPOKE.....	32				
6	44650-NN4-S10	RIM ASSY., FR	1				
7	44620-NN4-J10	COLLAR, FR WHEEL DIST	1				
8	44701-NN4-J10	RIM, FR WHEEL.....	1				
9	----	TIRE, FRONT (NOT SALE).....	1				
10	----	TUBE (NOT SALE).....	1				
11	----	RIM, BAND (NOT SALE).....	1				
12	44715-NN4-J10	STOPPER, 1.60 BEAD	1				
13	96150-60040-10	BEARING, BALL RADIAL 6004	2				
14	45331-NN3-830	COLLAR.....	2				
15	45332-NN4-P10ZB	COVER, FR DISK	1				
16	45351-NN4-P10	DISK, FR BRAKE.....	1				

Block N.º
F-10
Rear brake caliper



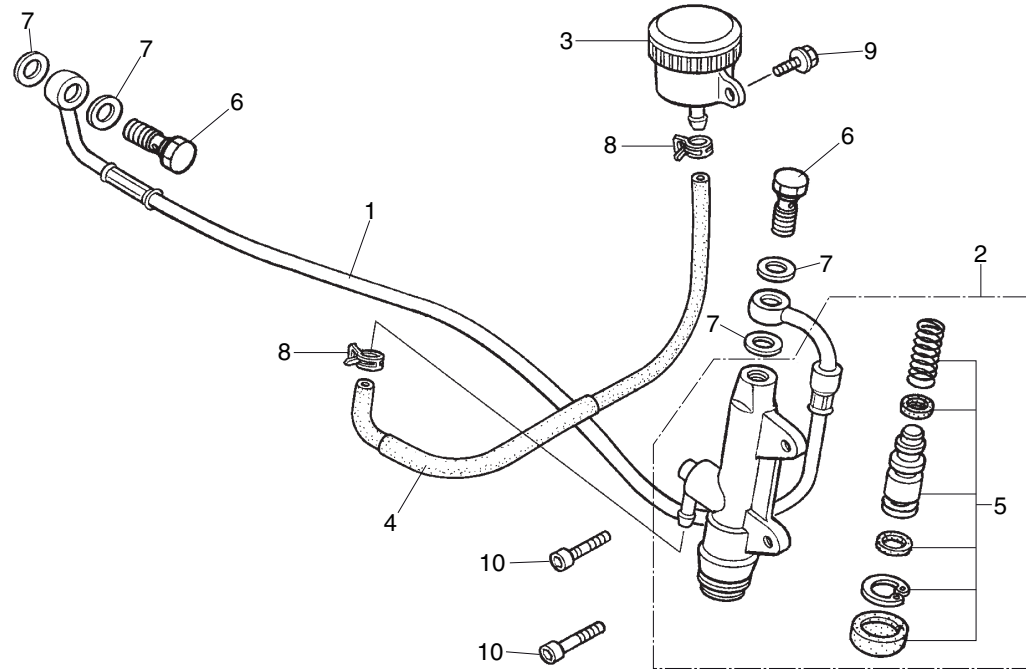
FR. →

No.	Part Number	Description	Qty.	No.	Part Number	Description	Qty.
1	43100-NN4-P10	CALIPER ASSY., RR (ED)	1				
	43100-NN4-N30	CALIPER ASSY., RR (3ED)	1				
2	06435-NN4-T10	PAD SET COMP., RR.	1				
3	43120-NN3-305	PISTON SET, RR CALIPER	1				
4	37715-NN4-P10	PLATE, SPEED SENSOR	1				

Block N.º

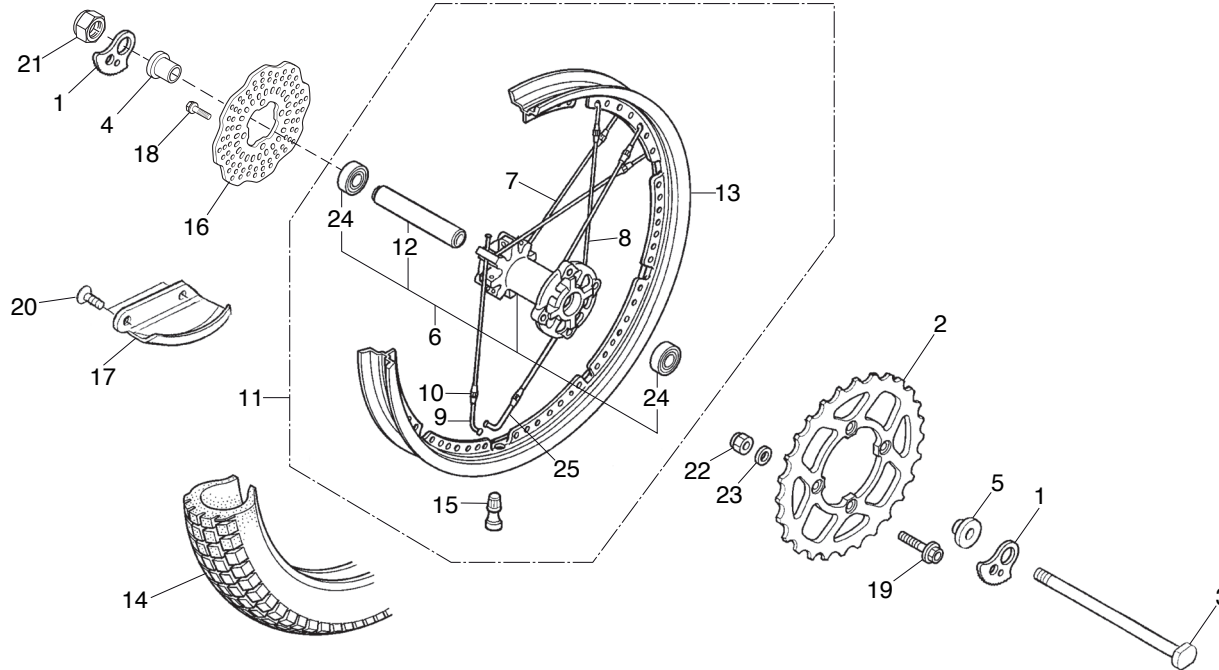
F-11

Rear brake master cylinder



No.	Part Number	Description	Qty.	No.	Part Number	Description	Qty.
1	43310-NN4-J11	HOSE, RR BRAKE.....	1				
2	43500-NN4-K11	M/C ASSY., REAR.....	1				
3	43510-NN2-900	TANK ASSY., RESERVE.....	1				
4	43511-NN4-000	TUBE COMP., RR M/C.....	1				
5	43520-NN4-K10	PISTON SET, RR M/C.....	1				
6	90145-NN4-J10	OIL BOLT, 10X21.....	2				
7	90545-NN4-J10	WASHER, OIL BOLT.....	4				
8	95002-NN4-J10	CLAMP, D8.5 TUBE.....	2				
9	96001-06012-00	BOLT, FLANGE SH 6X12.....	1				
10	96600-06022-00	SOCKET BOLT, 6X22.....	2				

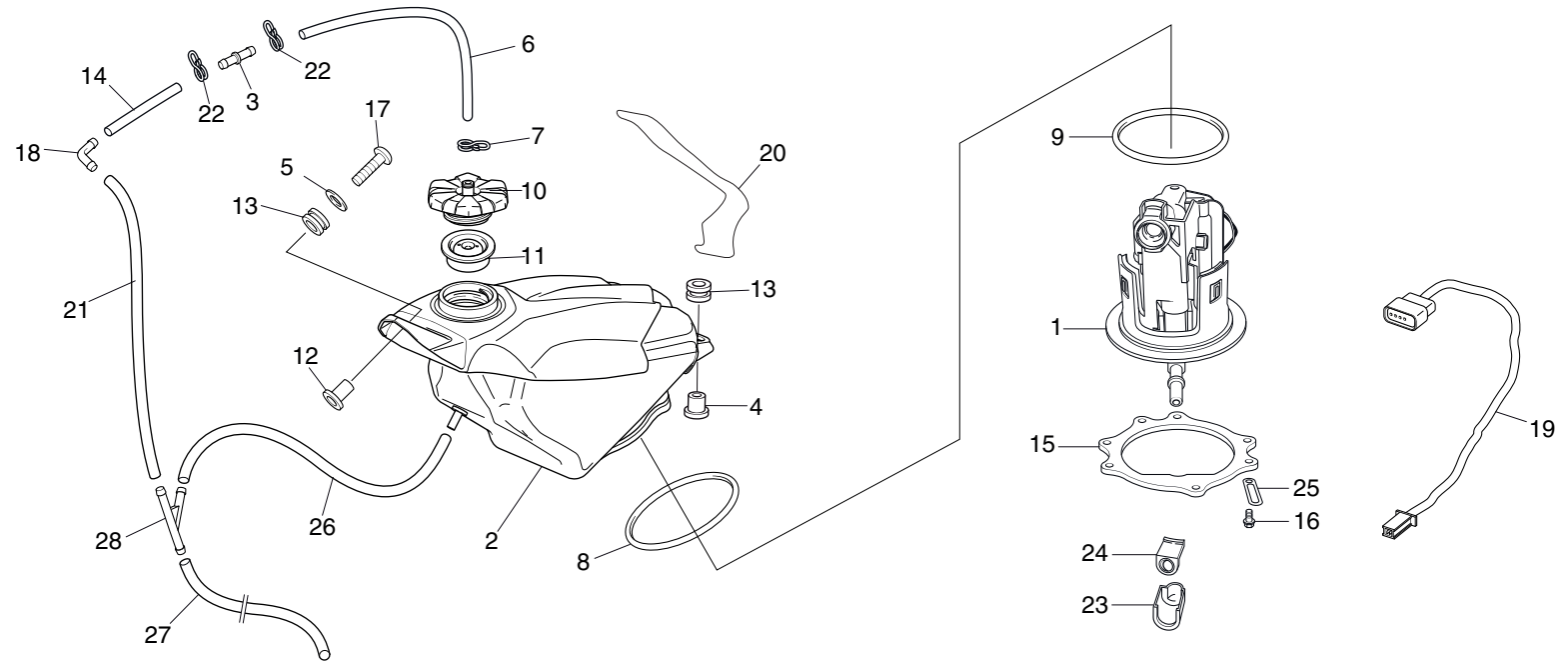
Block N.º
F-12
Rear wheel



FR.

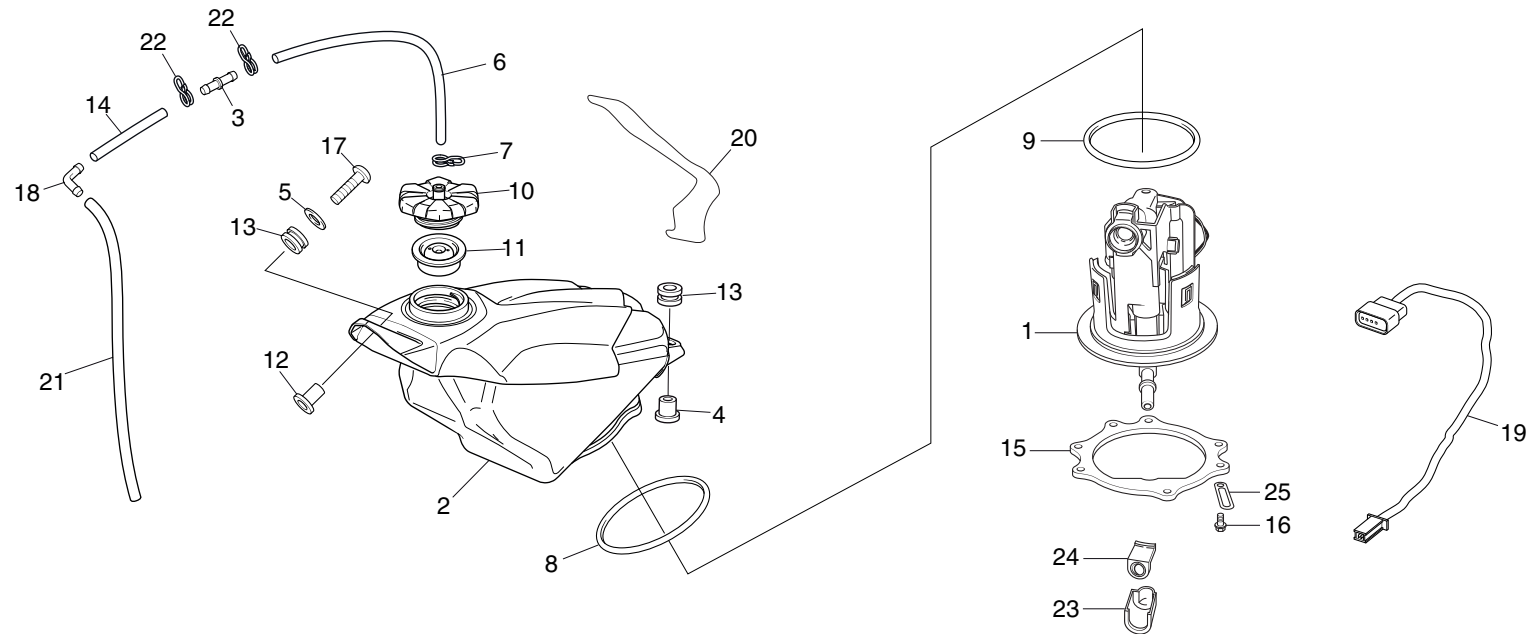
No.	Part Number	Description	Qty.	No.	Part Number	Description	Qty.
1	40544-NN4-C00	ADJUSTER, CHAIN.....	2	17	43330-NN4-J10	COVER, RR DISK.....	1
2	41201-NN4-J30	SPRKT 41T, FINAL DRIVEN.....	1	18	90105-NN4-D00	BOLT, BRK DISK 6X18.....	4
3	42301-NN4-P10	AXLE, RR WHEEL.....	1	19	90125-KZ4-J40	BOLT, SH DR 8X22.....	4
4	42311-NN4-H00	COLLAR RH., RR WHEEL.....	1	20	90132-NN2-900	SCREW, 6X12.....	2
5	42312-NN4-H00	COLLAR LH., RR WHEEL.....	1	21	90305-NN4-P10	NUT, AXLE.....	1
6	42602-NN4-H20	HUB ASSY., WHEEL.....	1	22	90309-ML3-791	NUT, U 8mm.....	4
7	42603-NN4-J10	SPOKE RH., RR WHEEL.....	16	23	90401-NN4-000	WASHER, PLAIN, 8mm.....	4
8	42604-NN4-J10	SPOKE LH., RR WHEEL.....	16	24	96150-60040-10	BEARING, BALL RADIAL 6004.....	2
9	42605-NN4-J10	SPOKE S, RR WHEEL (RIGHT).....	16	25	42606-NN4-J10	SPOKE S, L, RR WHEEL.....	16
10	42607-NN4-J10	NIPPLE, RR WHEEL.....	32				
11	42650-NN4-S10	RIM ASSY., RR.....	1				
12	42620-NN4-H00	COLLAR, RR WHEEL DIST.....	1				
13	42701-NN4-J10	RIM, RR WHEEL.....	1				
14	----	TIRE, RR (NOT SALE).....	1				
15	42753-NN4-J10	VALVE, RIM TR412.....	1				
16	43121-NN4-P10	DISK, RR BRAKE.....	1				

Block N.º
F-13 (ED)
Fuel tank
Fuel pump



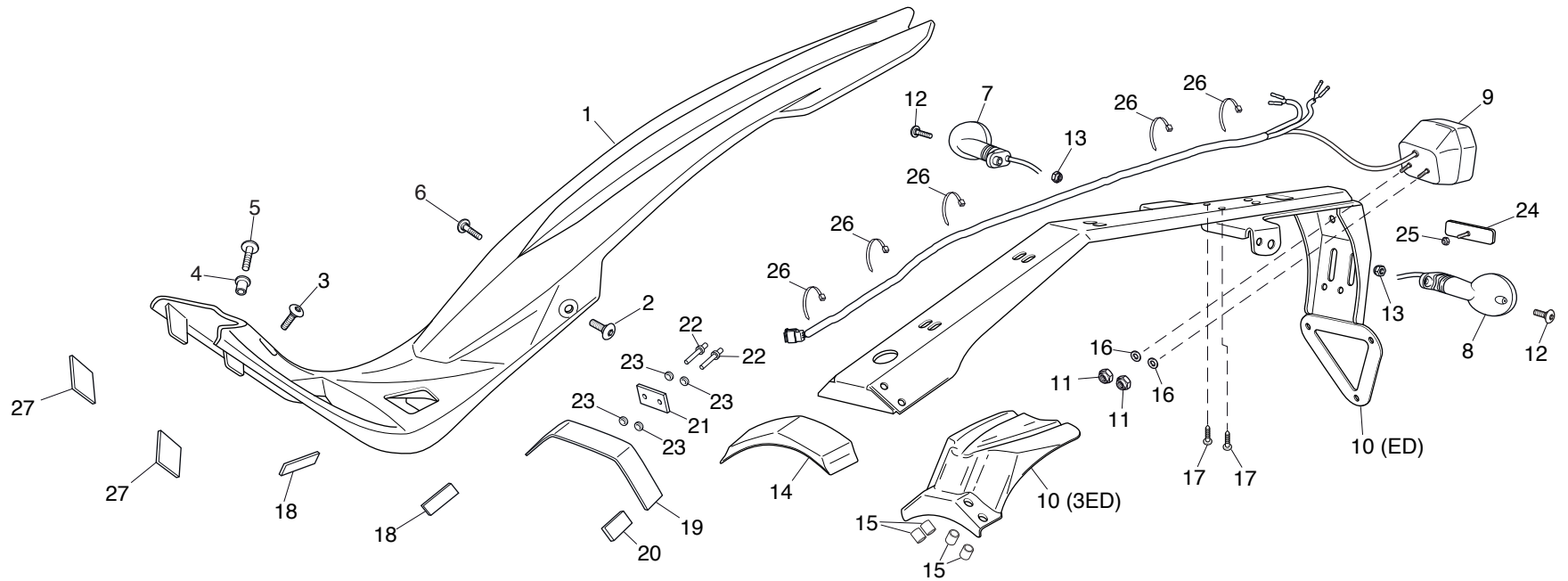
No.	Part Number	Description	Qty.	No.	Part Number	Description	Qty.
1	16700-NX7-003	UNIT ASSY., FUEL PUMP	1	17	90115-NN4-000	BOLT, SPL, 6X27	1
2	17500-NN4-V10	SET, FUEL TANK (WITH STICKERS)	1	18	19114-NN4-600	JOINT 2 WAY	1
3	17625-NF4-003	VALVE	1	19	32103-NN4-L10	SUB HARNESS FUEL PUMP	1
4	17509-NN4-000	COLLAR, TANK SET	1	20	17507-NN4-P10	PROTECTOR FILM	1
5	90501-NN4-G00	WASHER 6 MM	1	21	17521-NN4-M10	DRAIN TUBE A	1
6	17523-NN4-G00	TUBE, FUEL CAP BREATHER	1	22	95002-02129	CLIP B10	2
7	95002-02129	CLIP B12	1	23	17575-MEN -A30	COVER, FUEL CONNECTOR	1
8	16712-MEN -A30	O-RING 2,4X88,4	1	24	17576-MEN -A30	RUBBER, FUEL CONNECTOR	1
9	16711-MEN-A30	O-RING 3,7X73,9	1	25	90106-KJ6-740	CLIP TUBE	1
10	17621-NN4-P10	FUEL CAP	1	26	17524-NN4-M10	DRAIN TUBE B	1
11	17624-NN4-P10	PACKING, FUEL CAP	1	27	17522-NN4-M10	DRAIN TUBE C	1
12	61104-357-000	COLLAR, FR FENDER	1	28	16180-ML6-671	3 WAY JOINT	1
13	64615-KR1-860	RUBBER, LWR COWL MOUNT	2				
14	95005-55035-20	TUBE 5,3 x 35	1				
15	17519-NN4-L10	PLATE, FUEL PUMP	1				
16	90106-KRN-000	BOLT, FLANGE 5X12	7				

Block N.º
F-13 (3ED)
Fuel tank
Fuel pump



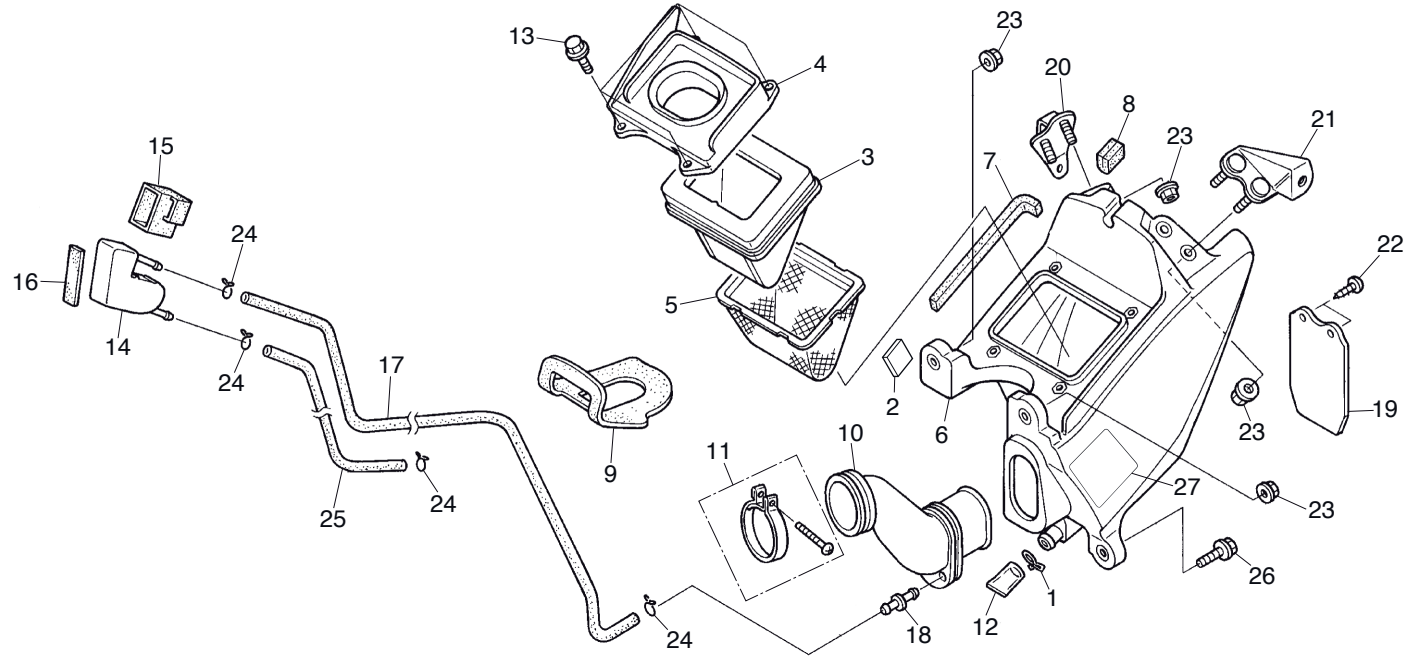
No.	Part Number	Description	Qty.	No.	Part Number	Description	Qty.
1	16700-NX7-003	UNIT ASSY., FUEL PUMP	1	17	90115-NN4-000	BOLT, SPL, 6X27	1
2	17500-NN4-V30	SET, FUEL TANK (WITH STICKERS)	1	18	19114-NN4-600	JOINT 2 WAY	1
3	17625-NF4-003	VALVE	1	19	32103-NN4-L10	SUB HARNESS FUEL PUMP	1
4	17509-NN4-000	COLLAR, TANK SET	1	20	17507-NN4-P10	PROTECTOR FILM	1
5	90501-NN4-G00	WASHER 6 mm	1	21	17521-NN4-G00	TUBE, FUEL CAP BREATHER	1
6	17523-NN4-G00	TUBE, FUEL CAP BREATHER	1	22	95002-02129	CLIP B10	2
7	95002-02129	CLIP B12	1	23	17575-MEN -A30	COVER, FUEL CONNECTOR	1
8	16712-MEN -A30	O-RING 2,4X88,4	1	24	17576-MEN -A30	RUBBER, FUEL CONNECTOR	1
9	16711-MEN-A30	O-RING 3,7X73,9	1	25	90106-KJ6-740	CLIP TUBE	1
10	17621-NN4-P10	FUEL CAP	1				
11	17624-NN4-P10	PACKING, FUEL CAP	1				
12	61104-357-000	COLLAR, FR FENDER	1				
13	64615-KR1-860	RUBBER, LWR COWL MOUNT	2				
14	95005-55035-20	TUBE 5,3 x 35	1				
15	17519-NN4-L10	PLATE, FUEL PUMP	1				
16	90106-KRN-000	BOLT, FLANGE 5X12	7				

Block N.º
F-14
Rear fender



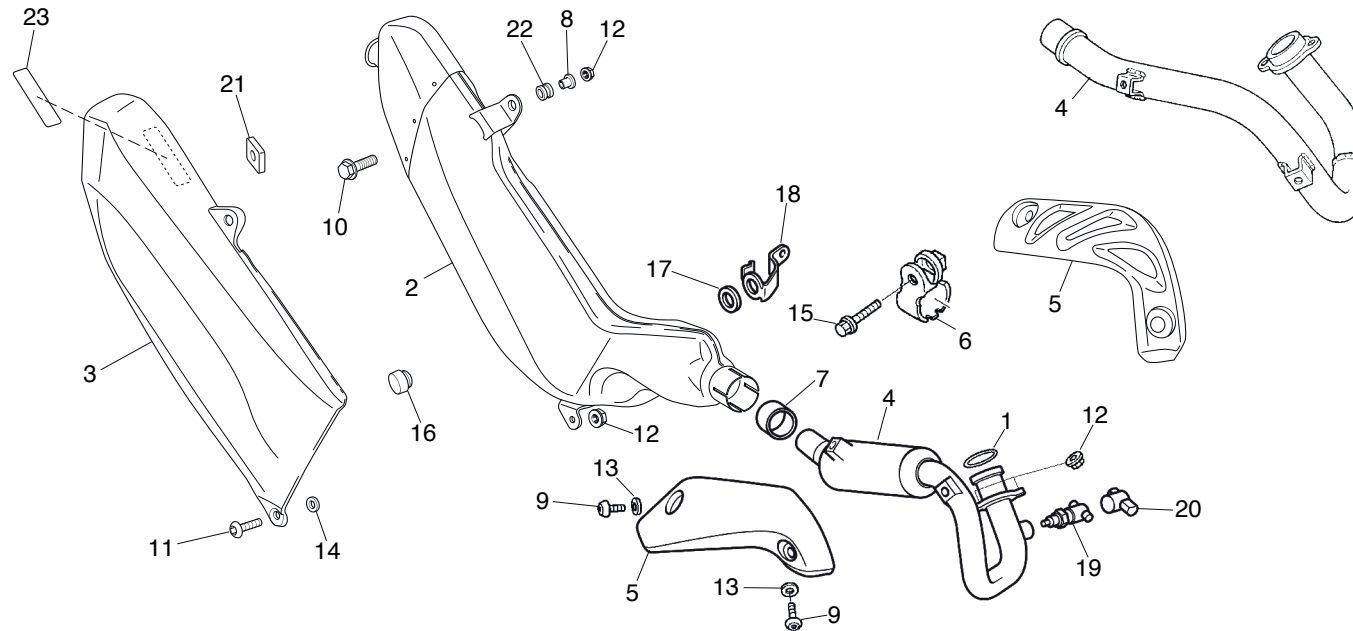
No.	Part Number	Description	Qty.	No.	Part Number	Description	Qty.
1	80101-NN4-P10ZA	FENDER, REAR WITHOUT DECALS	1	15	80114-NN4-P30	COLLAR (3ED).....	4
	80050-NN4-V10	FENDER, REAR WITH DECALS.....	1	16	90525-NN4-C10	WASHER 5 MM. (ED)	2
2	90106-KY2-701	SCREW, PAN 6X11	1	17	90113-NN4 -L80	SCREW-TAP. 4,2X13 (ED)	2
3	90115-NN4-000	BOLT, SPL, 6X27	1	18	64246-MEW-920	SIDE PROTECTORS	2
4	80125-NN4-000	COLLAR	1	19	80103-NN4-300	PROTECTOR.....	1
5	90116-MAS-E00	BOLT 6x16	1	20	80104-NN4-300	PROTECTOR.....	1
6	90107-NN4-P10	BOLT 6x15	1	21	80102-NN4-300	PROTECTOR.....	1
7	33600-NN4-J10	WINKER ASSY. RIGHT REAR (ED).....	1	22	90851-NN4-300	RIVET	2
8	33650-NN4-J10	WINKER ASSY. RIGHT LEFT (ED).....	1	23	90503-NN4-300	WASHER	4
9	33700-NN4-J10	UNIT, TAIL LIGHT COMP. (ED)	1	24	33741-KEB-621	REAR REFLECTOR (ED)	1
10	80105-NN4-P10	NUMBER PLATE BRACKET (ED).....	1	25	90205-NN4-J10	NUT (ED)	1
	80106-NN4-P30	BRACKET (3ED)	1	26	90602-NN4-600	TIE-BAND 150MM (ED).....	5
11	90201-NN4-600	NUT 4MM (ED).....	2	27	80105-NN4-300	SIDE PROTECTORS A.....	2
12	90108-NN4-600	WINKER, BOLT (ED).....	2				
13	90206-NN4-C10	NUT (ED)	2				
14	80109-NN4-P10	PROTECTOR.....	1				

Block N.º
F-15
Air cleaner



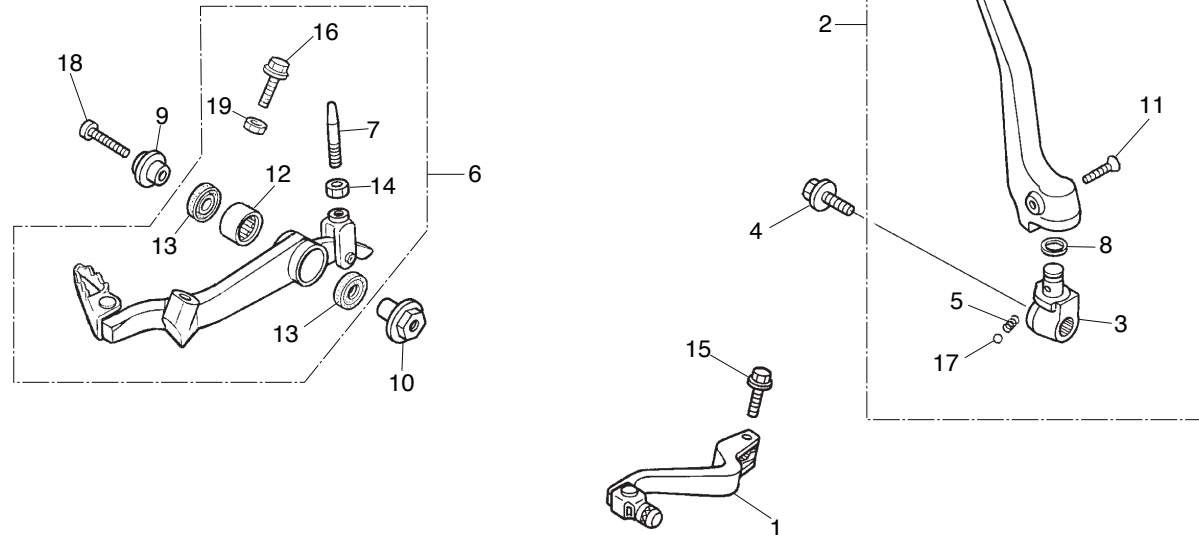
No.	Part Number	Description	Qty.	No.	Part Number	Description	Qty.
1	15707-634-000	CLIP, BREATHER TUBE	1	17	17554-NN4-000	TUBE, BREATHER A	1
2	17234-NN4-300	SEAL C AIR/C CASE	1	18	55102-166-000	JOINT, OIL TUBE	1
3	17211-NN4-P10	ELEMENT, AIR/C	1	19	80110-NN3-000	MUD GUARD	1
4	17212-NN4-000	CAP, AIR/C CASE	1	20	80111-NN4-P60	STAY R., RR FENDER	1
5	17213-NN4-000	TRAP COMP., FLAME	1	21	80112-NN4-D00	STAY L., RR FENDER	1
6	17230-NN4-H00	CASE COMP., AIR/C	1	22	93913-14180	SCREW, TAPPING 4X10	2
7	17231-NN4-300	SEAL A, AIR/C CASE	1	23	94050-06000	NUT, FLANGE 6mm	6
8	17232-NN4-300	SEAL B, AIR/C CASE	1	24	95002-02100	CLIP B10, TUBE	4
9	17236-NN3-830	AIR GUARD	1	25	95005-55225-20	TUBE, 5.3X225	1
10	17253-NN4-000	TUBE, AIR/C CONN	1	26	95701-06025-00	BOLT, FLANGE 6X25	1
11	95018-50250	BAND, AIR/C CONNECTING TUBE	1	27	87560-NN4-K40	CAUTION LABEL (3ED) (ENGLISH)	1
12	17358-NN2-000	TUBE, DRAIN	1		87560-NN4-L30	CAUTION LABEL (3ED) (FRENCH)	1
13	90108-GK1-000	BOLT, FLANGE SH 6X12	4				
14	17551-NN4-000	TANK, STORAGE	1				
15	17552-NN4-000	RUBBER, STORAGE TANK	1				
16	17553-NN4-000	CUSHION, STORAGE TANK	1				

Block N.º
F-16
Exhaust muffler



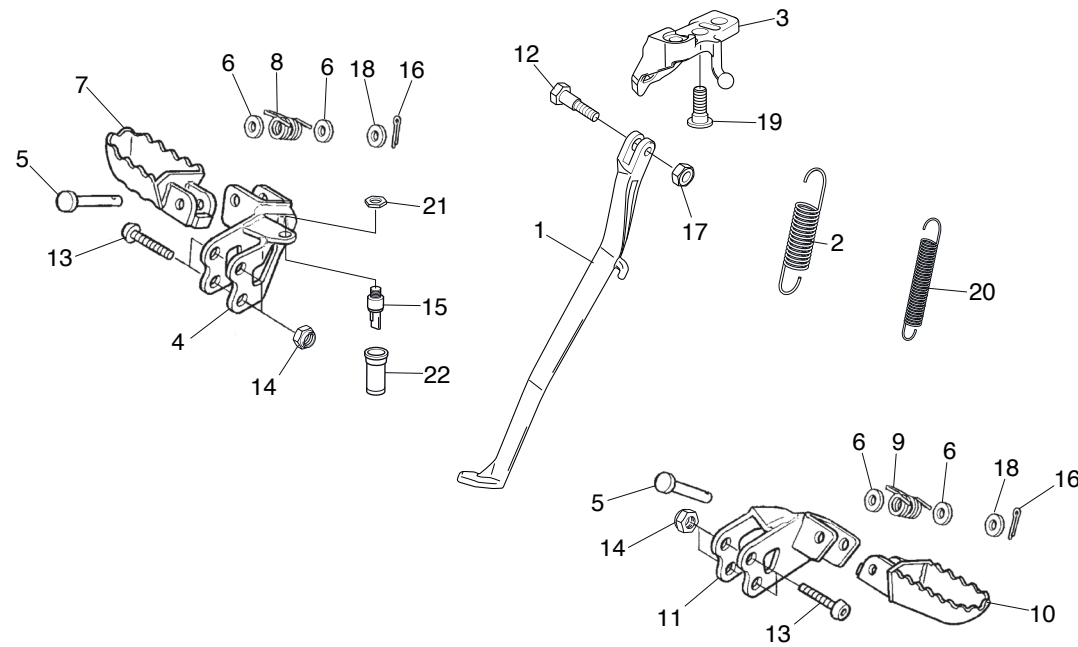
No.	Part Number	Description	Qty.	No.	Part Number	Description	Qty.
1	18291-NN4-000	GASKET, EXHAUST PIPE	1	14	90512-921-0100	WASHER, PLAIN 6mm.....	1
2	18310-NN4-P60	SILINCER COMP. EXHAUST (ED)	1	15	90216-MM9-000	BOLT, FLANGE DR 8X32.....	1
	18310-NN4-P70	SILINCER COMP. EXHAUST (3ED)	1	16	83512-KA4-700	RUBBER.....	1
3	83510-NN4-P60	COVER RH. SIDE	1	17	83551-GE2-000	RUBBER SIDE COVER	1
4	18320-NN4-L60	EXHAUST PIPE COMP. (ED)	1	18	80113-NN4-G10	STAY SIDE COVER.....	1
	18330-NN4-S10	EXHAUST PIPE COMP. (3ED)	1	19	36532-GFC-771	O2 SENSOR	1
5	18323-NN4-M10	PROTECTOR EXHAUST PIPE (ED).....	1	20	18383-NN4-G10	COVER O2 SENSOR	1
	18323-NN4-000	PROTECTOR EXHAUST PIPE (3ED).....	1	21	83515-KZ3-700	RUBBER SIDE COVER	1
6	18374-ML4-003	BANC, MUFFLER.....	1	22	19051-KA3-830	RUBBER.....	1
7	18391-MB0-891	PACKING MUFFLER.....	1	23	87586-NN4-N10	LABEL, E5/E10/95+ FUEL	1
8	19052-MAC-680	COLLAR	1				
9	90108-KGB-610	BOLT 6X8	2				
10	90115-MAS-E00	SPECIAL BOLT 6X37	1				
11	90106-NN4-J10	SCREW PAN 6X23	1				
12	94050-06000	NUT, FLANGE 6mm	4				
13	94101-06000	WASHER, PLAIN 6mm.....	2				

Block N.º
F-17
 Pedal
 Kick starter arm



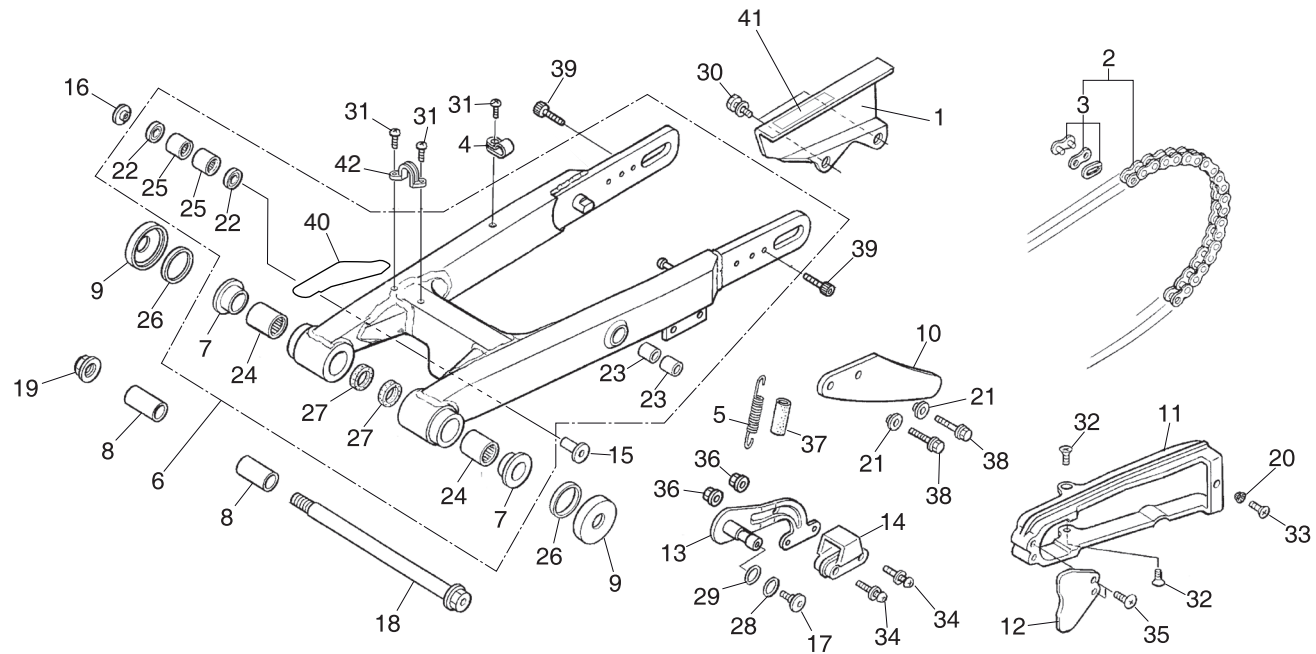
No.	Part Number	Description	Qty.	No.	Part Number	Description	Qty.
1	24700-NN4-L60	PEDAL COMP., CHANGE.....	1	17	96211-08000	STEEL BALL 8.....	1
2	28300-NN4-L60	ARM ASSY., KICKSTARTER	1	18	96700-08032-10	BOLT, SOCKET 8X32	1
3	28302-NN4-000	JOINT, KICK ARM	1	19	94001-05000-0S	NUT, HEX 5 MM	1
4	28306-MEN-670	BOLT	1				
5	28333-KK0-000	SPRING, KICKSTARTER ARM SET	1				
6	46500-NN4-T10	PEDAL ASSY., RR BRAKE	1				
7	46521-NN4-000	ROD, BRAKE.....	1				
8	46525-KK0-003	DUST SEAL 17X2.0X2.5	1				
9	46531-NN4-000	COLLAR A, RR BRAKE.....	1				
10	46532-NN4-000	COLLAR B, RR BRAKE.....	1				
11	90101-MAC-680	BOLT	1				
12	91001-GG2-003	BEARING, NEEDLE 12X18X12	1				
13	91201-951-003	OIL SEAL, 12X18X3	2				
14	94001-06000-0S	NUT, HEX 6 MM	1				
15	96001-06022-00	BOLT, FLANGE SH 6X22.....	1				
16	92101-05018-0H	BOLT, FLANGE SH 5X18.....	1				

Block N.º
F-18
Stand
Step



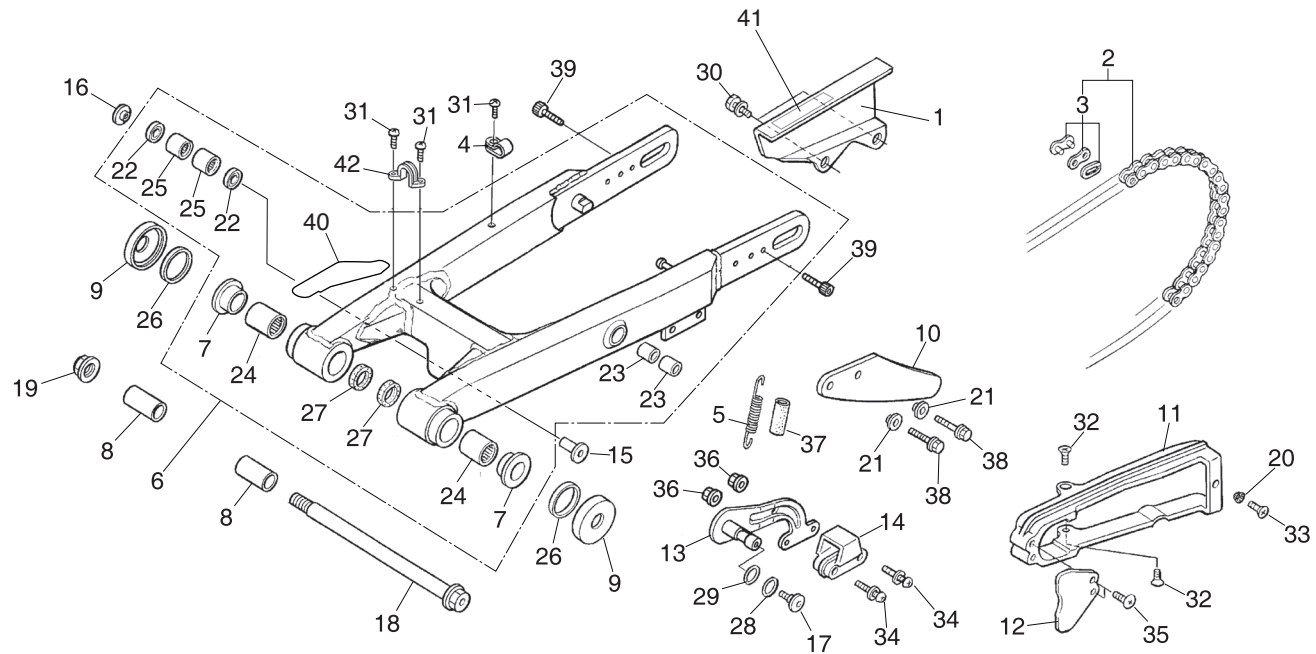
No.	Part Number	Description	Qty.	No.	Part Number	Description	Qty.
1	50530-NN4-S60	BAR COMP., SIDE STAND (BLACK).....	1	18	94102-08000	WASHER, PLAIN 8mm.....	2
2	50541-MBL-610	SPRING, SIDE STAND	1	19	90105-KL8-741	BOLT, FLANGE DR 8X25.....	2
3	50536-NN4-N61	BRACKET, SIDE STAND.....	1	20	50542-MBL-610	SPRING, SIDE STAND	1
4	50600-NN4-T10	BRKT COMP., R. STEP	1	21	35342-NN4-600	NUT, RR BRK SW	1
5	50639-ML0-010	PIN, P. STEP BAR	2	22	35351-NN4-601	RUBBER COVER	1
6	50602-NN4-J10	WASHER	1				
7	50616-NN4-J10	STEP RH	1				
8	50617-NN4-J10	SPRING RH., STEP RETURN	1				
9	50618-NN4-J10	SPRING LH., STEP RETURN	1				
10	50642-NN4-J10	STEP RH	1				
11	50700-NN4-T10	BRACKET COMP., L. STEP	1				
12	90108-283-000	BOLT	1				
13	90128-MW8-000	BOLT, SOCKET 8X33	4				
14	90309-ML3-791	NUT, FLANGE 8 MM	4				
15	35350-NN4-600	SWITCH ASSY., REAR BRAKE	1				
16	90751-MAK-000	PIN, SPLIT 2X16.....	2				
17	90203-MF9-710	NUT, HEX 10mm	1				

Block N.º
F-19
Swingarm



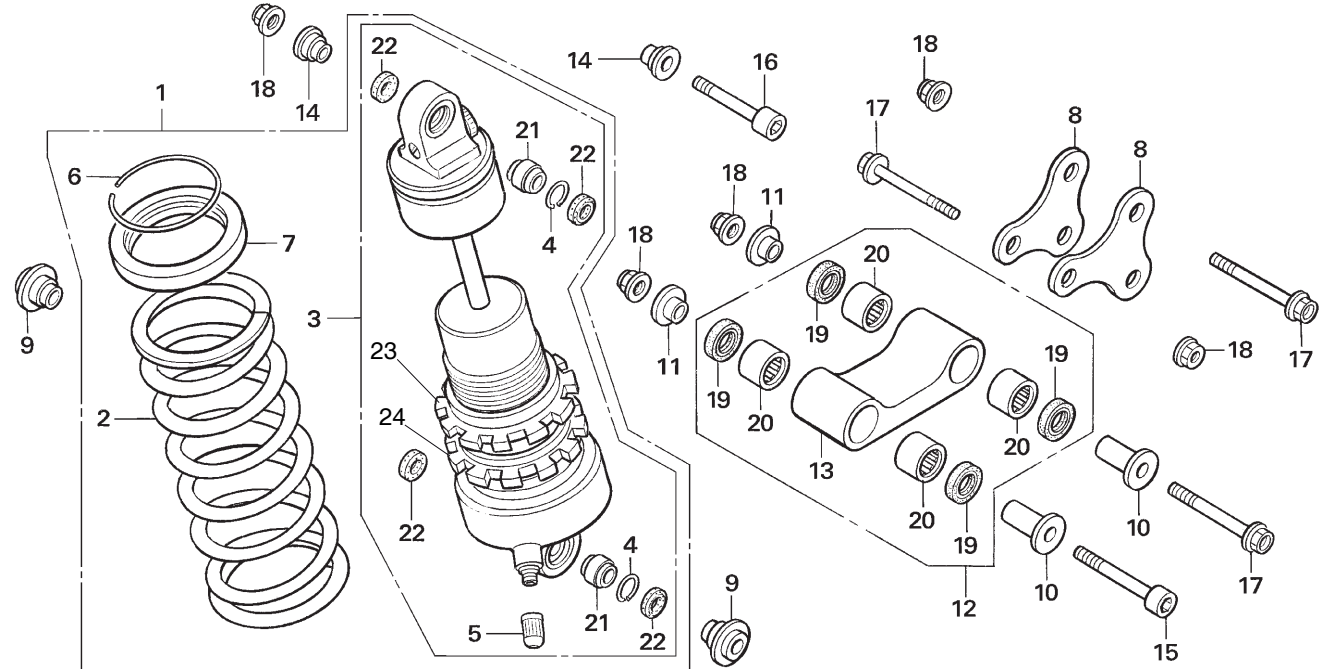
No.	Part Number	Description	Qty.	No.	Part Number	Description	Qty.
1	40510-NN3-000	CASE, DRIVE CHAIN	1	16	52464-NN3-010	COLLAR R., CUSH RINK	1
2	40530-NN2-000	CHAIN, DRIVE.....	1	17	90102-GM2-000	BOLT, CHAIN TENSOR	1
3	40531-NN2-000	JOINT, DRIVE CHAIN	1	18	90117-NN4-000	BOLT, SWINGARM PIVOT.....	1
4	90602-NN4-C10	CLIP, RR BRK HOSE (ED)	1	19	90201-GC4-000	NUT, FLANGE 14mm	1
	90602-NN4-G10	CLIP, RR BRK HOSE (3ED)	1	20	90502-NN4-000	WASHER SPL	1
5	46514-KY2-700	SPRING, BRAKE PEDAL RETURN	1	21	90503-KRN-000	WASHER, FENDER SETTING	2
6	52100-NN4-J20	SWINGARM ASSY	1	22	91051-NN1-000	SEAL, BEARING 15X21X3	2
7	52109-KA4-701	BUSH, PIVOT THRUST.....	2	23	91052-NN0-000	BUSH, CHAIN TENSIONER.....	2
8	52141-NN2-000	COLLAR, RR FORK.....	2	24	91071-MA0-003	BEARING, PIVOT	2
9	52144-KA3-731	CAP, DUST SEAL	2	25	91071-NN1-000	BEARING, NEEDLE 15X21X12	2
10	52157-NN4-J10	PROTECTOR, SPRKT	1	26	91253-KA3-731	DUST SEAL 32X36.8X8	2
11	52170-NN4-000	SLIDER, CHAIN.....	1	27	91254-KS6-003	DUST SEAL 20X2.6X4.5	2
12	52171-NN3-000	COVER, SPRKT	1	28	91305-422-000	O-RING, 9.8X2.4	1
13	52181-NN4-000	TENSIONER COMP., CHAIN.....	1	29	91362-ZC3-000	O-RING, 13.8X2.4	1
14	52182-NN4-J10	SLIPPER, CHAIN TENS	1	30	93404-06014-00	BOLT-WASH, 6X14.....	2
15	52463-NN3-010	COLLAR L., CUSH RINK.....	1	31	90104-ML7-920	SCREW, PAN 5X8	3

Block N.º
F-19
Swingarm



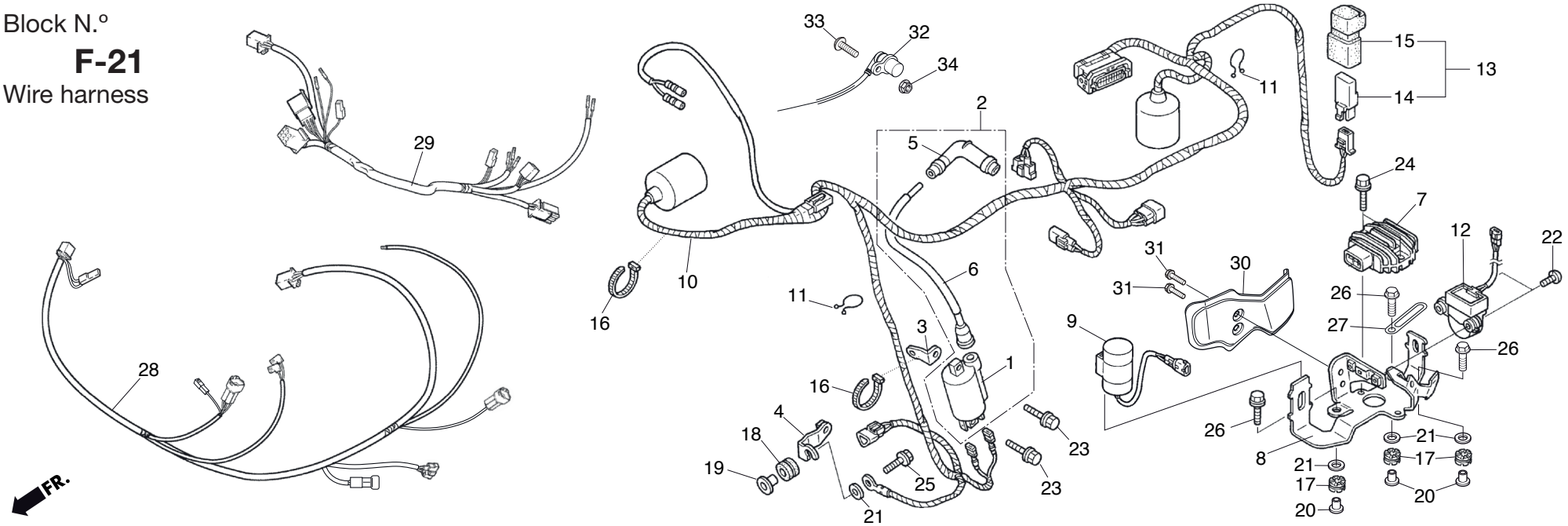
No.	Part Number	Description	Qty.	No.	Part Number	Description	Qty.
32	93600-05012-0G	SCREW, FLAT 5X12	2				
33	93600-05016-0G	SCREW, FLAT 5X16	1				
34	90003-NN4-J10	SCREW 5X20	2				
35	93913-15280	SCREW, TAPPING 5X12	2				
36	94050-05000	NUT, FLANGE 5mm	2				
37	95003-43004-20	V.TUBE, 13X15X40.....	1				
38	96001-06012-00	BOLT, FLANGE SH 6X12.....	2				
39	96600-06010-10	BOLT, SOCKET 6X10	2				
40	52143-NN4-J10	TAPE SWINGARM RR.....	1				
41	87505-NN4-R10	LABEL, TIRE.....	1				
42	43468-KZ3-B00	CLIP, RR BRK HOSE.....	1				

Block N.º
F-20
Rear cushion (Showa)



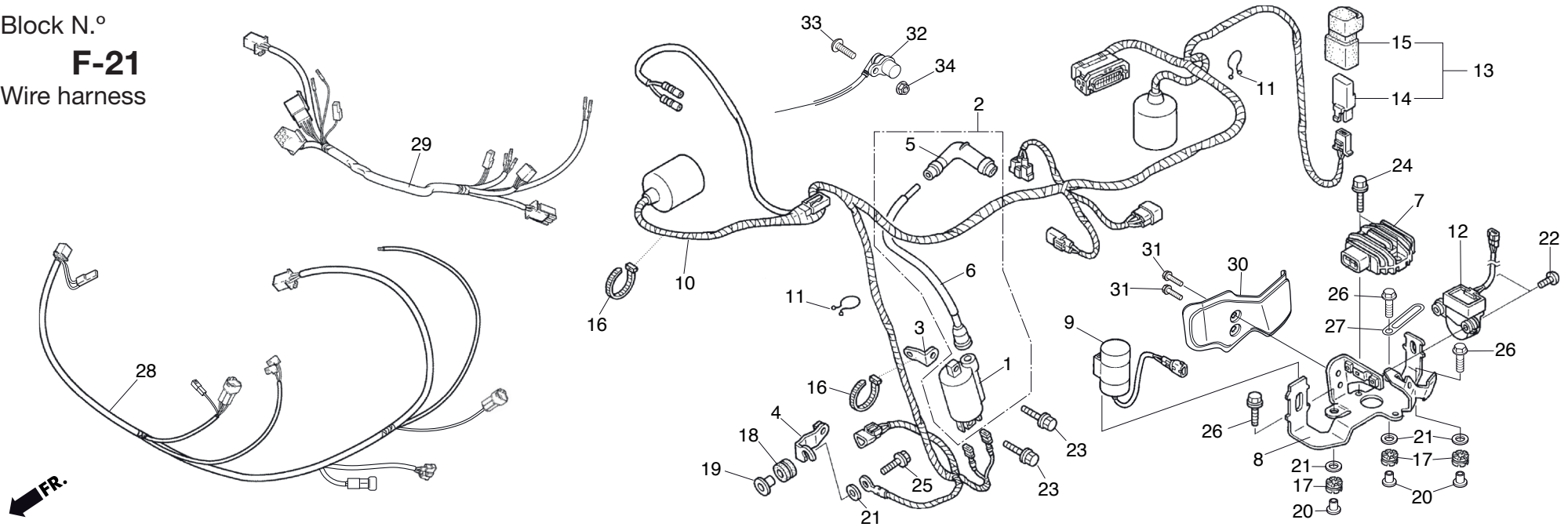
No.	Part Number	Description	Qty.	No.	Part Number	Description	Qty.
1	52400-NN4-G01	CUSHION ASSY., RR	1	17	90182-NN3-000	BOLT, FLANGE 10X57.....	3
2	52401-NN4-003	SPRING, REAR CUSH	1	18	90304-GA6-003	NUT, AXLE.....	5
3	52410-NN4-G01	DAMPER COMP., REAR.....	1	19	91051-NN1-000	SEAL, BEARING 15X21X3	4
4	52424-GC4-831	RING, STOPPER	2	20	91071-NN1-000	BEARING, NEEDLE 15X21X12	4
5	52425-169-003	CAP, AIR VALVE	1	21	91074-NN3-003	BEARING, SPHERICAL.....	2
6	52435-NN3-003	RING, STOPPER	1	22	91351-GS2-701	DUST SEAL, CUSHION UPPER.....	4
7	52459-NN3-003	SEAT, SPRING.....	1	23	52422-NX4-003	ADJUSTER, SPRING	1
8	52461-NN3-000	ARM, CUSH	2	24	52423-NX4-003	NUT, ADJUSTER.....	1
9	52462-NN3-000	COLLAR A, CUSH ARM.....	2				
10	52463-NN3-010	COLLAR LH., CUSH RINK.....	2				
11	52464-NN3-010	COLLAR RH., CUSH RINK.....	2				
12	52470-NN3-000	ROD ASSY., CUSH CONN	1				
13	52471-NN3-000	ROD, CUSH CONN.....	1				
14	52486-NN3-000	COLLAR, CUSH UP	2				
15	90120-NN3-000	BOLT, SOCKET 10X57	1				
16	90121-NN4-000	BOLT, SOCKET 10X45	1				

Block N.°
F-21
Wire harness



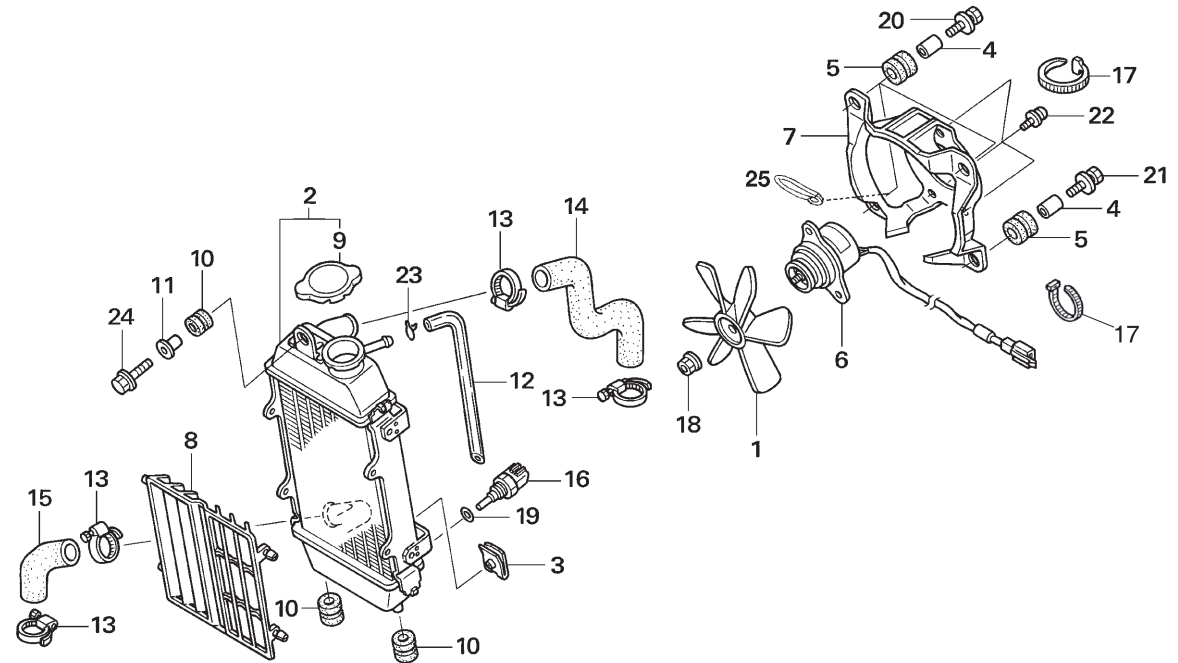
No.	Part Number	Description	Qty.	No.	Part Number	Description	Qty.
1	30500-ML7-013	COIL COMP., IGNITION	1	17	77208-KW7-900	RUBBER B, SEAT MOUNT	3
2	30510-NN4-000	COIL ASSY., IGNITION.....	1	18	80101-028-940	RUBBER, SPDMT. SETTING.....	1
3	30513-NN4-000	STAY UP, IGNITION COIL.....	1	19	30507-NN4-H00	COLLAR, COVER SET	1
4	30514-NN4-000	STAY LWR, IGNITION COIL	1	20	90501-425-000	COLLAR, 6.2X12	3
5	30700-KA2-013	CAP ASSY., NOISE (SUPPRESSOR)	1	21	90525-030-000	WASHER B, HANDLE HOLDER.....	4
6	30731-NN4-000	CORD ASSY., HIGH/T	1	22	92101-04020-0A	BOLT 4X20	2
7	31600-NN4-003	REGULATOR. RECTIFIER. ASSY.	1	23	96001-06018-00	BOLT, FLANGE SH 6X18.....	2
8	31605-NN4-G10	STAY, ELECTRIC	1	24	96001-06020-00	BOLT, FLANGE SH 6X20.....	2
9	31700-NN4-003	UNIT ASSY., CONDENSER.....	1	25	96001-06022-00	BOLT, FLANGE SH 6X22.....	1
10	32100-NN4-P10	HARNESS, WIRE	1	26	96001-06022-00	BOLT, FLANGE SH 6X22.....	3
11	32171-GF9-621	PURSE LOCK.....	2	27	91410-KT7-000	CLIP 4X60	1
12	35160-NN4-013	SENSOR ASSY., BANK ANGLE	1	28	32102-NN4-P10	SUBHARNESS FRAME (ED)	1
13	38500-GC7-612	RELAY ASSY., START	1	29	32101-NN4-J10	SUBHARNESS (H/L) (ED).....	1
14	38501-GN2-014	RELAY COMP, START (4P, NO)	1	30	31606-NN4-G10	STAY, ELECTRIC COVER (ED)	1
15	38506-GC7-611	SUSP., START RELAY	1	31	96001-0600800	BOLT 6x8 MM. (ED).....	2
16	61312-NN4-D10	TIE-BAND.....	2	32	44800-NN4-J10	SPEED SENSOR (ED)	1

Block N.º
F-21
Wire harness



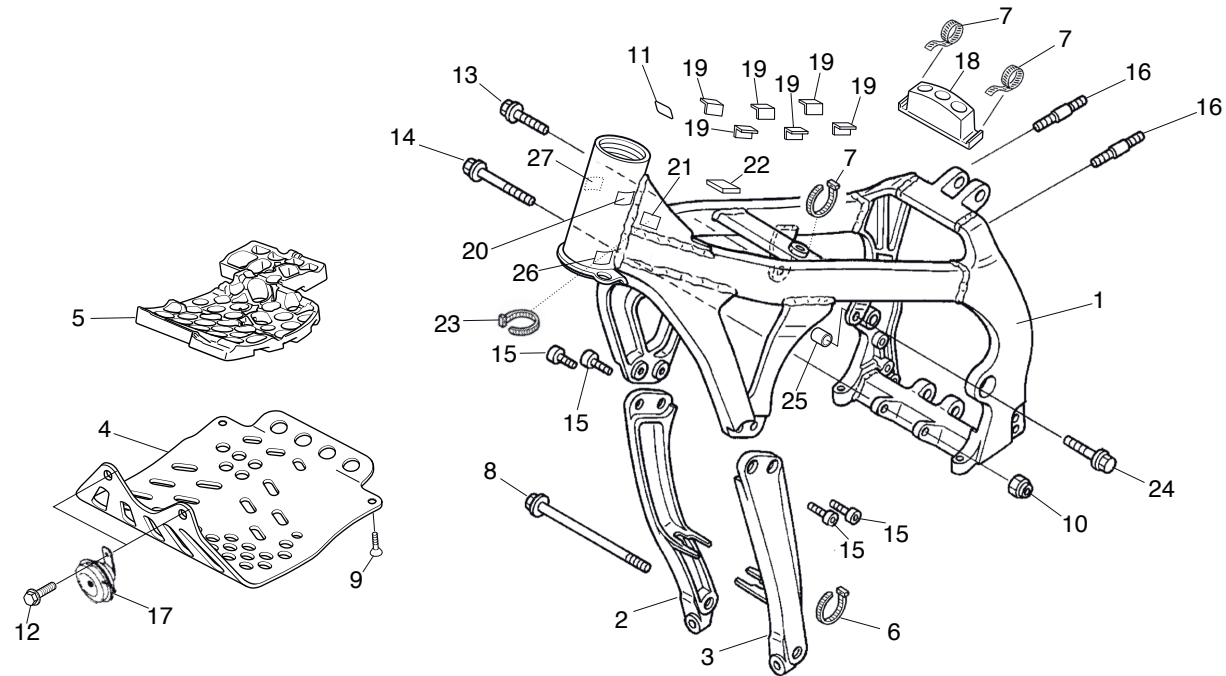
No.	Part Number	Description	Qty.	No.	Part Number	Description	Qty.
33	90116-NN4-J10	BOLT M6X16 (ED)	1				
34	90202-NN4-J10	NUT (ED)	1				

Block N.º
F-22
Radiator



No.	Part Number	Description	Qty.	No.	Part Number	Description	Qty.
1	19009-KT7-000	FAN COMP., COOLING	1	17	90602-NN4-600	TIE-BAND 150mm.....	2
2	19010-NN4-013	RADIATOR COMP.....	1	18	90308-KM3-003	NUT, TOOTHED 3mm	1
3	19014-KEA-003	SET, NUT	4	19	90454-MC7-000	WASHER, SPECIAL 12mm	1
4	19021-NN2-900	COLLAR, FAN SHROUD	4	20	93404-06018-07	BOLT-WASHER 6X18	3
5	19022-NN2-900	RUB, FAN SHROUD.....	4	21	93404-06020-07	BOLT-WASH, 6X20.....	1
6	19030-NN4-003	MOTOR, COOLING FAN	1	22	93891-04010-00	SCREW-WASH, 4X10	3
7	19031-NN4-L10	SHROUD, FAN	1	23	95002-02100	CLIP C10, TUBE	1
8	19033-NN4-000	GRILL, RADIATOR.....	1	24	96001-06028-00	BOLT, FLANGE SH 6X28.....	1
9	19037-MCA-G61	CAP COMP., RAD	1	25	90601-KJ9-000	CLIP	1
10	19051-KA3-830	RUBBER, RAD MOUNT	3				
11	19052-KA3-830	COLLAR, RAD MT.....	1				
12	19111-NN4-601	TUBE, RADIATOR DRAIN.....	1				
13	19504-KY1-003	CLAMP, WATER HOSE D25	4				
14	19531-NN4-000	HOSE UP, WATER	1				
15	19532-NN4-000	HOSE LOW, WATER.....	1				
16	37870-NN4-003	SENSOR ASSY., TW	1				

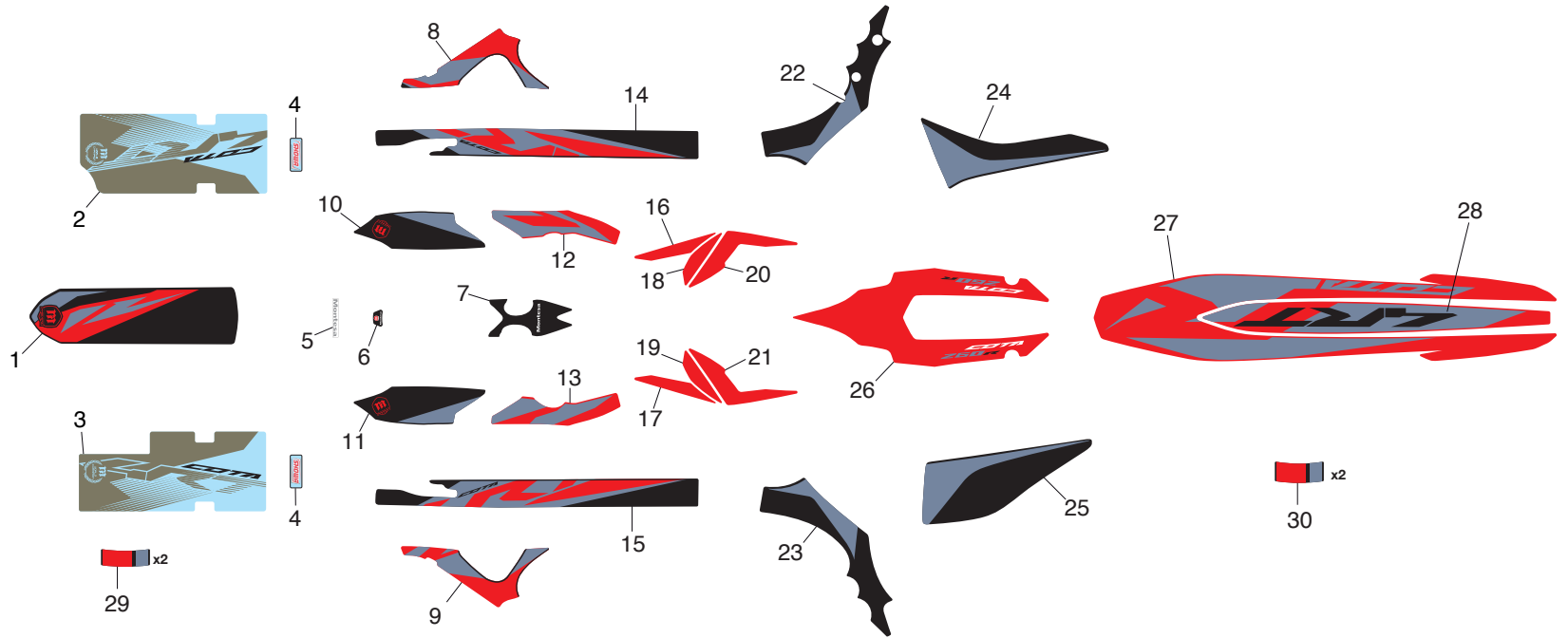
Block N.º
F-23
 Frame body



FR. ←

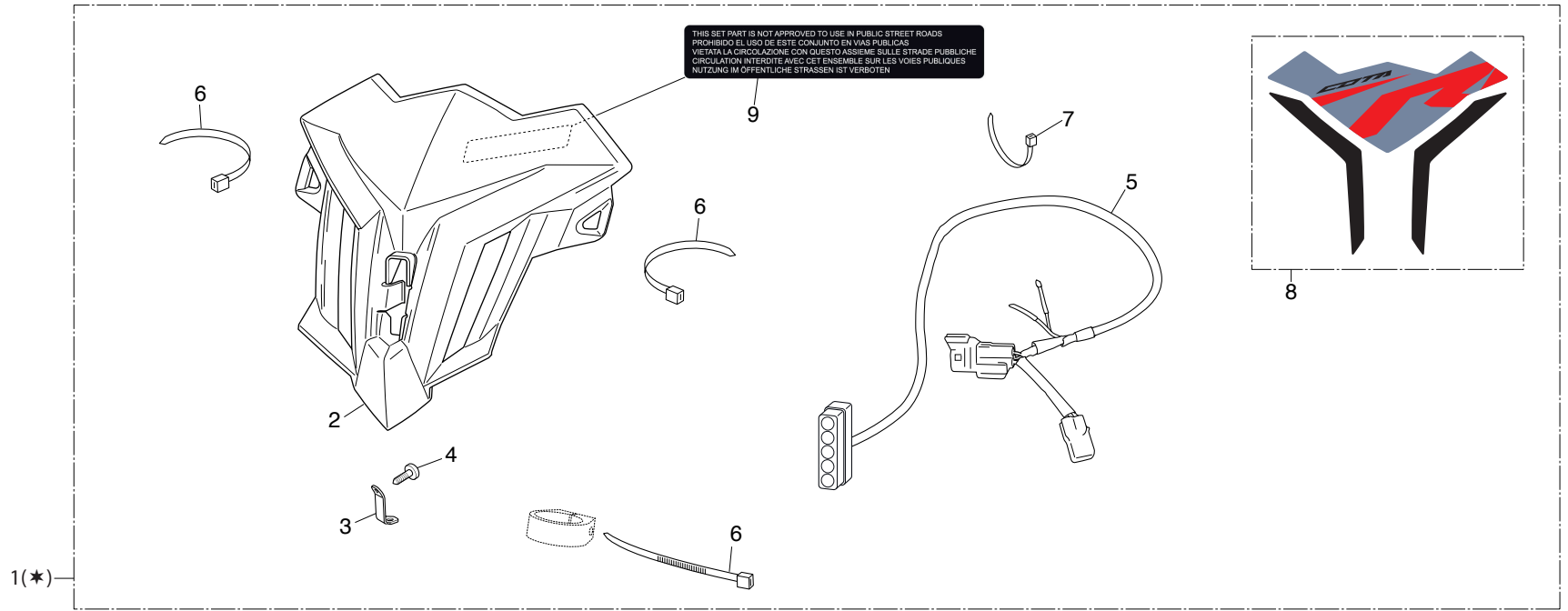
No.	Part Number	Description	Qty.	No.	Part Number	Description	Qty.
1	50100-NN4-J20	FRAME BODY COMP.....	1	17	38110-NN4-C10	HORN (ED)	1
2	50310-NN4-V10	TUBE RH., DOWN.....	1	18	80121-NN4-P10	PROTECTOR RUBBER.....	1
3	50320-NN4-V10	TUBE LH., DOWN	1	19	17506-NN4-000	RUBBER, FUEL TANK.....	6
4	50351-NN4-N10	PLATE, SKID	1	20	87615-NN4-T10	MARK UK/CA CE STICKER (3ED)	1
5	50352-NN4-P10	RUBBER A, ENG CUSH.....	1	21	90604-NN4-P10	AUTOADHESIVE BASE.....	1
6	90602-NN4-600	TIE-BAND 150 MM	1	22	17513-NN3-300	FUEL TANK PROTECTOR.....	1
7	61312-NN4-D10	TIE-BAND.....	3	23	90603-NN4-C10	TIE-BAND 95mm.....	1
8	90119-MJ0-000	BOLT, FLANGE 10X130.....	1	24	96300-08032-00	BOLT, FLANGE 8X32.....	1
9	90125-NN2-900	SCREW, FLANT 8X20	2	25	50343-NN3-000	COLLAR UP ENG HANGER.....	1
10	90304-GA6-003	NUT, AXLE.....	1	26	87302-NN4-T10	LABEL UK IMPORTER (3ED)	1
11	86150-NN4-K10	EMBLEM, PRODUCT.....	1	27	87301-NN4-T10	LABEL MANUFACTURER (ED)	1
12	93405-08020-00	BOLT-WASHER 8X20	2				
13	96300-08018-00	BOLT, FLANGE DR 8X18.....	1				
14	96400-10085-00	BOLT, FLANGE DR 10X85.....	1				
15	90116-NN4-H00	SOCKET BOLT, 8X19	4				
16	92900-06022-0B	STUD 2. 6X22	2				

Block N.º
F-24
Emblem / Stripe



No.	Part Number	Description	Qty.	No.	Part Number	Description	Qty.
1	87131-NN4-V10	STRIPE FRONT FENDER.....	1	17	87174-NN4-V10	STRIPE LH P1, FENDER RR.....	1
2	87139-NN4-V10	STRIPE RH, FR. FORK.....	1	18	87175-NN4-V10	STRIPE RH P2, FENDER RR.....	1
3	87140-NN4-V10	STRIPE LH, FR. FORK.....	1	19	87176-NN4-V10	STRIPE LH P2, FENDER RR.....	1
4	87159-NN4-S10	SPONSOR MARK, SHOWA.....	2	20	87177-NN4-V10	STRIPE RH P3, FENDER RR.....	1
5	87143-NN4-J10	STRIPE H/L VISOR.....	1	21	87178-NN4-V10	STRIPE LH P3, FENDER RR.....	1
6	86150-NN4-K10	EMBLEM "M/MONTESA".....	1	22	87151-NN4-V10	REAR RH STRIPE FRAME.....	1
7	87170-NN4-V10	STRIPE FR C, RR FENDER.....	1	23	87152-NN4-V10	REAR LH STRIPE FRAME.....	1
8	87146-NN4-V10	STRIPE RH LOWER BODY.....	1	24	87153-NN4-V10	PROTECT MUFFLER STRIPE.....	1
9	87147-NN4-V10	STRIPE LH LOWER BODY.....	1	25	87154-NN4-V10	A/C CASE STRIPE.....	1
10	87155-NN4-V10	STRIPE RH FUEL TANK.....	1	26	87135-NN4-V10	STRIPE 260 RR FENDER.....	1
11	87156-NN4-V10	STRIPE LH FUEL TANK.....	1		87135-NN4-V50	STRIPE 250 RR FENDER.....	1
12	87171-NN4-V10	STRIPE FR RH, RR FENDER.....	1	27	87136-NN4-V10	STRIPE RR, RR FENDER.....	1
13	87172-NN4-V10	STRIPE FR LH, RR FENDER.....	1	28	87137-NN4-V10	STRIPE RR CENTER, RR FENDER.....	1
14	87132-NN4-V10	STRIPE RH MAIN FRAME.....	1	29	87144-NN4-V10	STRIPE RIM FR.....	2
15	87133-NN4-V10	STRIPE LH MAIN FRAME.....	1	30	87142-NN4-V10	STRIPE RIM RR.....	2
16	87173-NN4-V10	STRIPE RH P1, FENDER RR.....	1				

Block N.º
F-25
Optional parts



No.	Part Number	Description	Qty.	No.	Part Number	Description	Qty.
1	08MRT-NN4-V10	SET (COMPLETE).....	1				
2	61310-REP-P10ZA	COVER.....	1				
3	61315-REP-J00	SUPPORT.....	1				
4	90113-NN4-L80	SCREW D3,9X10.....	1				
5	34901-REP-P10	HEADLIGHT WITH WIRING.....	1				
6	61312-NN4-D10	TIE-BAND (200 mm).....	3				
7	90603-NN4-C10	TIE-BAND (95 mm).....	1				
8	87143-NN4-V10	HEADLIGHT STICKER (STD).....	1				
9	----	ADVERTISEMENT STICKER.....	1				

(*) This set part is not approved to use in public street roads.

PART No. INDEX 2024

Part No.	Block	Ref.No.	Part No.	Block	Ref.No.	Part No.	Block	Ref.No.	Part No.	Block	Ref.No.
06000			13331-Z8B-900	E-12	6	16000			17513-NN3-300	F-23	22
06435-NN4-T10	F-10	2	13617-NN4-000	E-12	7	16016-NN4-003	E-16	6	17519-NN4-L10	F-13 (ED)	15
06455-NN4-T10	F-08	2				16180-ML6-671	F-13 (ED)	28	17519-NN4-L10	F-13 (3ED)	15
			14000			16211-NN4-000	E-01	6	17521-NN4-G00	F-13 (3ED)	21
08000			14100-NN4-D00	E-02	2	16213-NN4-J10	E-01	27	17521-NN4-M10	F-13 (ED)	21
08MRT-NN4-V10	F-25	1	14401-NN4-003	E-03	1	16215-NN4-000	E-01	7	17522-NN4-M10	F-13 (ED)	27
			14430-NN4-000	E-02	3	16216-MCZ-000	E-01	8	17523-NN4-G00	F-13 (ED)	6
11000			14440-NN4-000	E-02	4	16400-NN4-P11	E-16	1	17523-NN4-G00	F-13 (3ED)	6
11100-NN4-B00	E-11	1	14450-NN4-000	E-02	5	16400-NN4-P31	E-16	1	17524-NN4-M10	F-13 (ED)	26
11105-NN4-000	E-11	2	14460-NN4-000	E-02	6	16420-NN4-L10	E-16	2	17551-NN4-000	F-15	14
11191-NN4-000	E-11	3	14510-NN4-000	E-03	2	16700-NX7-003	F-13 (ED)	1	17552-NN4-000	F-15	15
11200-NN4-G00	E-11	4	14515-KF0-000	E-03	3	16700-NX7-003	F-13 (3ED)	1	17553-NN4-000	F-15	16
11206-NN4-000	E-11	5	14520-KRN-671	E-03	4	16711-MEN-A30	F-13 (ED)	9	17554-NN4-000	F-15	17
11330-NN4-000	E-05	1	14560-MEN-671	E-03	5	16711-MEN-A30	F-13 (3ED)	9	17575-MEN -A30	F-13 (ED)	23
11340-NN4-010	E-09	1	14620-NN4-000	E-03	6	16712-MEN -A30	F-13 (ED)	8	17575-MEN -A30	F-13 (3ED)	23
11350-NN4-000	E-05	2	14711-NN4-000	E-02	7	16712-MEN -A30	F-13 (3ED)	8	17576-MEN -A30	F-13 (ED)	24
11352-NN4-003	E-05	3	14721-NN4-000	E-02	8				17576-MEN -A30	F-13 (3ED)	24
11394-NN4-000	E-05	4	14751-NN4-000	E-02	9	17000			17621-NN4-P10	F-13 (ED)	10
11395-NN4-000	E-09	2	14752-NN4-000	E-02	10	17211-NN4-P10	F-15	3	17621-NN4-P10	F-13 (3ED)	10
			14771-KW3-900	E-02	11	17212-NN4-000	F-15	4	17624-NN4-P10	F-13 (ED)	11
12000			14776-NN4-000	E-02	12	17213-NN4-000	F-15	5	17624-NN4-P10	F-13 (3ED)	11
12010-NN4-000	E-01	1	14781-ML0-720	E-02	13	17230-NN4-H00	F-15	6	17625-NF4-003	F-13 (ED)	3
12100-NN4-D00	E-04	1				17231-NN4-300	F-15	7	17625-NF4-003	F-13 (3ED)	3
12191-NN4-003	E-04	2	15000			17232-NN4-300	F-15	8	17711-S0X-931	E-16	5
12203-KA5-690	E-01	2	15111-NN4-000	E-07	1	17234-NN4-300	F-15	2	17910-NN4-B01	F-01	1
12209-ML0-722	E-02	1	15133-NN4-000	E-07	2	17236-NN3-830	F-15	9			
12251-KRN-731	E-01	3	15220-MEB-770	E-09	3	17253-NN4-000	F-15	10	18000		
12312-NN4-000	E-01	4	15331-324-000	E-07	3	17358-NN2-000	F-15	12	18291-NN4-000	F-16	1
12351-NN4-000	E-01	5	15332-324-000	E-07	4	17500-NN4-V10	F-13 (ED)	2	18310-NN4-P60	F-16	2
			15412-MEN-671	E-11	6	17500-NN4-V30	F-13 (3ED)	2	18310-NN4-P70	F-16	2
13000			15412-NN4-000	E-11	7	17506-NN4-000	F-23	19	18320-NN4-L60	F-16	4
13000-NN4-D00	E-12	1	15414-MEB-670	E-11	8	17507-NN4-P10	F-13 (ED)	20	18323-NN4-000	F-16	5
13011-NN4-D00	E-12	2	15421-NN4-000	E-11	9	17507-NN4-P10	F-13 (3ED)	20	18323-NN4-M10	F-16	5
13101-NN4-D00	E-12	3	15611-KA3-710	E-05	5	17509-NN4-000	F-13 (ED)	4	18330-NN4-S10	F-16	4
13111-KRN-850	E-12	4	15650-NN4-000	E-11	10	17509-NN4-000	F-13 (3ED)	4	18345-MBT-610	F-04 (ED)	37
13115-147-000	E-06	1	15707-634-000	F-15	1						
13115-KM7-700	E-12	5									

PART No. INDEX 2024

Part No.	Block	Ref.No.	Part No.	Block	Ref.No.	Part No.	Block	Ref.No.	Part No.	Block	Ref.No.
18374-ML4-003	F-16	6	22351-NN4-000	E-06	7	24231-NN4-000	E-14	3	30000		
18383-NN4-G10	F-16	20	22352-NN4-000	E-06	8	24241-MEN-670	E-14	4	30500-ML7-013	F-21	1
18391-MB0-891	F-16	7	22361-NN4-000	E-06	9	24242-MEN-670	E-14	5	30507-NN4-H00	F-21	19
18601-MBW-003	E-11	11	22402-NN4-000	E-06	10	24311-NN4-000	E-14	6	30510-NN4-000	F-21	2
19000			22863-NN3-000	E-05	6	24312-KA3-741	E-14	7	30513-NN4-000	F-21	3
19009-KT7-000	F-22	1	22864-NN3-000	E-05	7	24315-HA0-000	E-14	8	30514-NN4-000	F-21	4
19010-NN4-013	F-22	2	22880-NN4-N10	F-03	1	24321-KZ4-620	E-14	9	30700-KA2-013	F-21	5
19014-KEA-003	F-22	3	22882-NN4-L60	F-02	5	24322-MM4-000	E-14	10	30731-NN4-000	F-21	6
19021-NN2-900	F-22	4	22882-NN4-L60	F-03	5	24324-KA3-711	E-14	11			
19022-NN2-900	F-22	5	22883-NN4-J10	F-03	2	24325-KA3-711	E-14	12	31000		
19030-NN4-003	F-22	6	22900-NN4-J11	F-03	10	24326-KBH-901	E-14	13	31110-NN4-003	E-10	1
19031-NN4-L10	F-22	7	23000			24328-NN4-000	E-14	14	31120-NN4-B01	E-10	2
19033-NN4-000	F-22	8	23121-NN4-000	E-12	8	24329-KA3-740	E-14	15	31121-NN4-000	E-10	3
19037-MCA-G61	F-22	9	23211-NN4-000	E-13	1	24430-NN4-000	E-14	16	31600-NN4-003	F-21	7
19051-KA3-830	F-16	22	23221-NN4-000	E-13	2	24435-KA3-710	E-14	17	31605-NN4-G10	F-21	8
19051-KA3-830	F-22	10	23225-KS6-000	E-13	3	24610-NN4-000	E-14	18	31606-NN4-G10	F-21	30
19052-KA3-830	F-22	11	23411-NN4-000	E-13	4	24651-MEB-670	E-14	19	31700-NN4-003	F-21	9
19052-MAC-680	F-16	8	23413-NN4-000	E-13	5	24652-HA0-000	E-14	20	32000		
19111-NN4-601	F-22	12	23421-NN4-000	E-13	6	24700-NN4-L60	F-17	1	32100-NN4-P10	F-21	10
19114-NN4-600	F-13 (ED)	18	23422-GB4-770	E-13	7	28000			32101-NN4-J10	F-21	29
19114-NN4-600	F-13 (3ED)	18	23431-NN4-000	E-13	8	28210-NN4-000	E-15	1	32102-NN4-P10	F-21	28
19215-GC4-731	E-08	1	23441-NN4-000	E-13	9	28230-NN4-000	E-15	2	32103-NN4-L10	F-13 (ED)	19
19221-NN4-000	E-08	2	23451-NN4-000	E-13	10	28237-KZ4-A10	E-06	11	32103-NN4-L10	F-13 (3ED)	19
19229-NN4-000	E-08	3	23452-NN4-000	E-13	11	28241-KA3-710	E-15	3	32171-GF9-621	F-21	11
19240-NN4-010	E-08	4	23461-NN4-000	E-13	12	28242-KA3-710	E-15	4	33000		
19504-KY1-003	F-22	13	23462-NN4-000	E-13	13	28251-NN4-000	E-15	5	33100-NN4-C10	F-04 (ED)	13
19531-NN4-000	F-22	14	23471-NN4-000	E-13	14	28261-KA3-710	E-15	6	33400-NN4-J10	F-04 (ED)	18
19532-NN4-000	F-22	15	23481-NN4-000	E-13	15	28262-NN4-010	E-15	7	33450-NN4-J10	F-04 (ED)	19
			23491-NN4-000	E-13	16	28263-NN4-000	E-15	8	33600-NN4-J10	F-14	7
22000			23801-NN4-000	E-13	17	28282-NN4-000	E-15	9	33650-NN4-J10	F-14	8
22100-NN4-000	E-06	2	23811-NN4-N10	E-09	19	28300-NN4-L60	F-17	2	33700-NN4-J10	F-14	9
22121-NN4-000	E-06	3				28302-NN4-000	F-17	3	33741-KEB-621	F-14	24
22201-KY2-000	E-06	4	24000			28306-MEN-670	F-17	4	33741-NN4-M11	F-06	10
22201-NN4-B00	E-06	5	24211-KRN-730	E-14	1	28333-KK0-000	F-17	5	33742-NN4-M10	F-06	11
22321-MG3-000	E-06	6	24221-KRN-730	E-14	2						

PART No. INDEX 2024

Part No.	Block	Ref.No.	Part No.	Block	Ref.No.	Part No.	Block	Ref.No.	Part No.	Block	Ref.No.
33743-NN4-M10	F-06	12	40530-NN2-000	F-19	2	44000			50000		
34000			40531-NN2-000	F-19	3	44301-NN3-000	F-09	1	50100-NN4-J20	F-23	1
34901-NN2-900	F-04 (ED)	12	40544-NN4-C00	F-12	1	44311-NN4-000	F-09	2	50310-NN4-V10	F-23	2
34901-REP-P10	F-25	5	41000			44602-NN4-J20	F-09	3	50320-NN4-V10	F-23	3
35000			41201-NN4-J30	F-12	2	44603-NN4-J10	F-09	4	50343-NN3-000	F-23	25
35130-NN4-M10	F-01	2	42000			44608-NN4-J10	F-09	5	50351-NN4-N10	F-23	4
35150-NN4-L10	F-01	8	42301-NN4-P10	F-12	3	44620-NN4-J10	F-09	7	50352-NN4-P10	F-23	5
35160-NN4-013	F-21	12	42311-NN4-H00	F-12	4	44650-NN4-S10	F-09	6	50530-NN4-S60	F-18	1
35342-NN4-600	F-18	21	42312-NN4-H00	F-12	5	44701-NN4-J10	F-09	8	50536-NN4-N61	F-18	3
35343-NN4-N10	F-02	10	42602-NN4-H20	F-12	6	44715-NN4-J10	F-09	12	50541-MBL-610	F-18	2
35344-NN4-N30	F-02	14	42603-NN4-J10	F-12	7	44800-NN4-J10	F-21	32	50542-MBL-610	F-18	20
35350-NN4-600	F-02	8	42604-NN4-J10	F-12	8	45000			50600-NN4-T10	F-18	4
35350-NN4-600	F-18	15	42605-NN4-J10	F-12	9	45100-NN4-N10	F-08	1	50602-NN4-J10	F-18	6
35351-NN4-601	F-02	9	42606-NN4-J10	F-12	25	45120-NN3-305	F-08	3	50616-NN4-J10	F-18	7
35351-NN4-601	F-18	22	42607-NN4-J10	F-12	10	45125-NN4-J11	F-02	13	50617-NN4-J10	F-18	8
36000			42620-NN4-H00	F-12	12	45331-NN3-830	F-09	14	50618-NN4-J10	F-18	9
36532-GFC-771	F-16	19	42650-NN4-S10	F-12	11	45332-NN4-P10ZB	F-09	15	50639-ML0-010	F-18	5
37000			42701-NN4-J10	F-12	13	45351-NN4-P10	F-09	16	50642-NN4-J10	F-18	10
37105-NN4 -P10	F-04 (ED)	39	42753-NN4-J10	F-12	15	45352-NN4-P10	F-09	17	50700-NN4-T10	F-18	11
37200-NN4-P10	F-04 (ED)	14	43000			45468-NN2-000ZA	F-04 (ED)	23	51000		
37715-NN4-P10	F-10	4	43100-NN4-N30	F-10	1	45468-NN2-000ZB	F-04 (3ED)	2	51400-NN4-G11	F-07	1
37870-NN4-003	F-22	16	43100-NN4-P10	F-10	1	45500-NN4-N10	F-02	1	51410-NN4-003	F-07	2
38000			43120-NN3-305	F-10	3	45530-NN4-J10	F-02	4	51412-NN4-003	F-07	3
38110-NN4-C10	F-23	17	43121-NN4-P10	F-12	16	45530-NN4-N10	F-03	4	51414-NN4-G01	F-07	4
38300-NN4-G10	F-04 (ED)	11	43310-NN4-J11	F-11	1	45540-NN4-J10	F-02	2	51415-NN4-G01	F-07	5
38500-GC7-612	F-21	13	43330-NN4-J10	F-12	17	46000			51420-NN4-003	F-07	6
38500-GC7-612	F-04 (ED)	10	43352-568-003	E-05	8	46500-NN4-T10	F-17	6	51421-NN3-821	F-07	7
38501-GN2-014	F-21	14	43353-461-771	E-05	9	46514-KY2-700	F-19	5	51422-NN3-821	F-07	8
38506-GC7-611	F-21	15	43468-KZ3-B00	F-19	42	46521-NN4-000	F-17	7	51425-NN3-821	F-07	9
40000			43500-NN4-K11	F-11	2	46525-KK0-003	F-17	8	51430-NN4-G01	F-07	10
40510-NN3-000	F-19	1	43510-NN2-900	F-11	3	46531-NN4-000	F-17	9	51437-MN5-003	F-07	11
			43511-NN4-000	F-11	4	46532-NN4-000	F-17	10	51441-NN4-G01	F-07	12
			43520-NN4-K10	F-11	5				51447-MK7-671	F-07	13
									51450-NN4-G01	F-07	14

PART No. INDEX 2024

Part No.	Block	Ref.No.	Part No.	Block	Ref.No.	Part No.	Block	Ref.No.	Part No.	Block	Ref.No.
51458-NN3-821	F-07	15	52464-NN3-010	F-19	16	53600-NN4-J10	F-05	9	64615-KR1-860	F-13 (ED)	13
51500-NN4-G11	F-07	16	52464-NN3-010	F-20	11				64615-KR1-860	F-13 (3ED)	13
51501-NN4-003	F-07	17	52470-NN3-000	F-20	12	55000			64NN4VGMH	E-01	28
51502-NN3-821	F-07	18	52471-NN3-000	F-20	13	55102-166-000	F-15	18			
51510-NN4-003	F-07	19	52486-NN3-000	F-20	14	61000			65000		
51520-NN3-821	F-07	20				61050-NN4-V10	F-06	4	65NN4VSMH	E-01	28
51530-NN4-003	F-07	21	53000			61100-NN4-V10	F-06	1	69000		
51531-NN3-821	F-07	22	53100-NN4-V11	F-04 (ED)	7	61101-NN4-K10AB	F-06	9	69NN4VIMH	E-01	28
51541-NN3-821	F-07	23	53100-NN4-V11	F-04 (3ED)	11	61102-NN3-820	F-06	6			
51550-NN4-G01	F-07	24	53121-NN4-V11	F-04 (ED)	1	61104-357-000	F-13 (ED)	12	77000		
			53121-NN4-V11	F-04 (3ED)	5	61104-357-000	F-13 (3ED)	12	77208-KW7-900	F-21	17
52000			53131-NN4-J10	F-04 (ED)	4	61105-NN4-S10	F-06	5	80000		
52100-NN4-J20	F-19	6	53131-NN4-J10	F-04 (3ED)	8	61301-NN3-000	F-04 (3ED)	1	80050-NN4-V10	F-14	1
52109-KA4-701	F-19	7	53141-NN4-000	F-01	3	61310-NN4-C10ZB	F-04 (ED)	33	80101-028-940	F-21	18
52141-NN2-000	F-19	8	53142-NN3-000	F-01	4	61310-REP-P10ZA	F-25	2	80101-NN4-P10ZA	F-14	1
52143-NN4-J10	F-19	40	53160-NN4-000	F-01	5	61312-NN4-D10	F-21	16	80102-NN4-300	F-14	21
52144-KA3-731	F-19	9	53161-NN3-000	F-01	6	61312-NN4-D10	F-23	7	80103-NN4-300	F-14	19
52157-NN4-J10	F-19	10	53163-NN2-900	F-01	7	61312-NN4-D10	F-25	6	80104-NN4-300	F-14	20
52170-NN4-000	F-19	11	53165-NN4-V11	F-01	9	61312-NN4-D10	F-04 (3ED)	3	80105-NN4-300	F-14	27
52171-NN3-000	F-19	12	53166-NN4-V11	F-01	10	61313-NN4-C10	F-04 (ED)	31	80105-NN4-P10	F-14	10
52181-NN4-000	F-19	13	53167-NN2-900	F-01	11	61314-NN4-C10	F-04 (ED)	17	80106-NN4-P30	F-14	10
52182-NN4-J10	F-19	14	53168-NN2-900	F-01	12	61315-NN4-C10	F-05	8	80109-NN4-P10	F-14	14
52400-NN4-G01	F-20	1	53169-NN2-900	F-01	13	61315-REP-J00	F-25	3	80110-NN3-000	F-15	19
52401-NN4-003	F-20	2	53170-NN4-K20	F-02	3	61319-NN4-P10	F-04 (ED)	15	80111-NN4-P60	F-15	20
52410-NN4-G01	F-20	3	53172-NN4-J30	F-03	12	61320-NN4-C10ZB	F-04 (ED)	32	80112-NN4-D00	F-15	21
52422-NX4-003	F-20	23	53173-NN4-J30	F-03	13	61390-NN4-C10	F-04 (ED)	25	80113-NN4-G10	F-16	18
52423-NX4-003	F-20	24	53180-NN4-J10	F-03	3	61391-NN4-C10	F-04 (ED)	24	80114-NN4-P30	F-14	15
52424-GC4-831	F-20	4	53200-NN4-K10	F-05	1				80121-NN4-P10	F-23	18
52425-169-003	F-20	5	53214-KA4-701	F-05	3	62000			80125-NN4-000	F-14	4
52435-NN3-003	F-20	6	53214-KCY-671	F-05	2	62NN4VEMH	E-01	28			
52459-NN3-003	F-20	7	53215-MEE-D00	F-04 (ED)	6	63000			83000		
52461-NN3-000	F-20	8	53215-MEE-D00	F-04 (3ED)	10	63NN4VFMH	E-01	28	83510-NN4-P60	F-16	3
52462-NN3-000	F-20	9	53229-NN4-G00	F-05	4				83512-KA4-700	F-16	16
52463-NN3-010	F-19	15	53230-NN4-K10	F-04 (ED)	9	64000			83515-KZ3-700	F-16	21
52463-NN3-010	F-20	10	53230-NN4-K10	F-04 (3ED)	13	64246-MEW-920	F-14	18	83551-GE2-000	F-16	17

PART No. INDEX 2024

Part No.	Block	Ref.No.	Part No.	Block	Ref.No.	Part No.	Block	Ref.No.	Part No.	Block	Ref.No.
86000			87178-NN4-V10	F-24	21	90089-NN4-L60	F-03	6	90121-NN4-C10	F-04 (ED)	22
86150-NN4-K10	F-23	11	87301-NN4-T10	F-23	27	90101-MAC-680	F-17	11	90124-KZ4-J40	F-04 (ED)	3
86150-NN4-K10	F-24	6	87302-NN4-T10	F-23	26	90102-GM2-000	F-19	17	90124-KZ4-J40	F-04 (3ED)	7
87000			87505-NN4-R10	F-19	41	90104-ML7-920	F-19	31	90125-KZ4-J40	F-12	19
87131-NN4-V10	F-24	1	87560-NN4-K40	F-15	27	90105-KL8-741	F-18	19	90125-NN2-900	F-23	9
87132-NN4-V10	F-24	14	87560-NN4-L30	F-15	27	90105-NN4-D00	F-12	18	90128-MW8-000	F-18	13
87133-NN4-V10	F-24	15	87586-NN4-N10	F-16	23	90106-KJ6-740	F-13 (ED)	25	90129-NN4-C10	F-04 (ED)	16
87135-NN4-V10	F-24	26	87615-NN4-T10	F-23	20	90106-KJ6-740	F-13 (3ED)	25	90132-NN2-900	F-12	20
87135-NN4-V50	F-24	26	88000			90106-KRN-000	F-13 (ED)	16	90145-NN4-J10	F-03	8
87136-NN4-V10	F-24	27	88100-NN4-H11	F-04 (ED)	35	90106-KRN-000	F-13 (3ED)	16	90145-NN4-J10	F-11	6
87137-NN4-V10	F-24	28	90000			90106-KY2-701	F-14	2	90182-NN3-000	F-20	17
87139-NN4-V10	F-24	2	90001-NN4-000	E-10	4	90106-NN4-J10	F-16	11	90201-GC4-000	F-19	19
87140-NN4-V10	F-24	3	90002-NN4-000	E-01	10	90107-NN3-000	F-01	14	90201-NN3-000	E-06	13
87142-NN4-V10	F-24	30	90003-KRN-670	E-11	12	90107-NN4-P10	F-14	6	90201-NN4-000	E-10	6
87143-NN4-J10	F-24	5	90003-NN4-J10	F-19	34	90108-283-000	F-18	12	90201-NN4-600	F-06	13
87143-NN4-V10	F-25	8	90004-GHB-600	E-03	7	90108-GK1-000	F-15	13	90201-NN4-600	F-14	11
87144-NN4-V10	F-24	29	90004-GHB-630	E-03	8	90108-KGB-610	F-16	9	90202-NN4-J10	F-21	34
87146-NN4-V10	F-24	8	90004-GHB-660	E-06	12	90108-NN4-600	F-14	12	90203-MF9-710	F-18	17
87147-NN4-V10	F-24	9	90005-896-000	E-10	5	90112-413-000	E-13	18	90205-NN4-J10	F-14	25
87151-NN4-V10	F-24	22	90005-NN4-J10	F-02	12	90113-NN4 -L80	F-14	17	90206-250-000	E-02	15
87152-NN4-V10	F-24	23	90012-KK3-830	E-02	14	90113-NN4-L80	F-25	4	90206-NN4-C10	F-14	13
87153-NN4-V10	F-24	24	90013-NN4-000	E-12	9	90114-NN4-C10	F-05	7	90206-NN4-C10	F-04 (ED)	28
87154-NN4-V10	F-24	25	90022-MG8-000	E-14	21	90115-MAS-E00	F-16	10	90216-MM9-000	F-16	15
87155-NN4-V10	F-24	10	90026-NN4-P60	F-09	18	90115-NN4-000	F-14	3	90232-MB6-680	E-01	12
87156-NN4-V10	F-24	11	90031-NN4-000	E-11	13	90115-NN4-000	F-13 (ED)	17	90233-MM4-000	E-01	13
87159-NN4-S10	F-24	4	90041-NN4-000	E-01	11	90115-NN4-000	F-13 (3ED)	17	90304-GA6-003	F-23	10
87170-NN4-V10	F-24	7	90071-MF5-000	E-11	14	90116-383-721	F-07	25	90304-GA6-003	F-20	18
87171-NN4-V10	F-24	12	90084-428-000	E-09	4	90116-MAS-E00	F-14	5	90304-MEE-D00	F-04 (ED)	5
87172-NN4-V10	F-24	13	90085-MCS-000	E-15	12	90116-NN4-H00	F-23	15	90304-MEE-D00	F-04 (3ED)	9
87173-NN4-V10	F-24	16	90088-MEB-670	E-03	9	90116-NN4-J10	F-21	33	90305-NN4-P10	F-12	21
87174-NN4-V10	F-24	17	90088-NN4-J10	F-02	7	90117-NN4-000	F-19	18	90308-KM3-003	F-22	18
87175-NN4-V10	F-24	18	90088-NN4-J10	F-03	7	90119-MJ0-000	F-23	8	90309-ML3-791	F-12	22
87176-NN4-V10	F-24	19	90089-KR0-000	E-01	9	90120-NN3-000	F-20	15	90309-ML3-791	F-18	14
87177-NN4-V10	F-24	20	90089-NN4-L60	F-02	6	90120-NN4-C10	F-04 (ED)	29	90401-KRN-670	E-01	14
						90121-NN4-000	F-20	16	90401-NN4-000	F-12	23

PART No. INDEX 2024

Part No.	Block	Ref.No.	Part No.	Block	Ref.No.	Part No.	Block	Ref.No.	Part No.	Block	Ref.No.
90402-KY4-900	E-12	10	90503-KRN-000	F-19	21	91000			91254-KS6-003	F-19	27
90402-NN4-000	E-10	7	90503-NN4-300	F-14	23	91001-147-003	E-06	18	91302-PA9-003	E-11	33
90404-KW3-000	E-13	19	90506-NN4-C10	F-04 (ED)	27	91001-GG2-003	F-17	12	91302-PNA-003	E-16	3
90432-KF0-000	E-06	14	90507-NN4-P10	F-04 (ED)	38	91001-KA3-711	E-11	19	91303-377-000	E-09	10
90435-HB3-000	E-14	22	90512-921-0100	F-16	14	91001-KA4-003	E-08	8	91303-436-003	E-01	19
90441-KA4-700	E-11	15	90525-030-000	F-21	21	91001-KRN-671	E-11	20	91303-HA0-003	E-11	34
90441-KRN-670	E-11	16	90525-NN4-C10	F-05	10	91001-KZ4-J11	E-11	21	91305-422-000	F-19	28
90441-ME9-000	E-09	5	90525-NN4-C10	F-14	16	91002-NN4-003	E-11	22	91305-PH7-003	E-05	11
90441-ME9-000	E-11	17	90526-NN4-C10	F-04 (ED)	21	91004-KRN-671	E-11	23	91311-MR7-003	F-07	27
90441-MR1-770	E-01	15	90544-KS7-003	F-07	26	91004-KY4-900	E-11	24	91312-371-013	E-05	12
90442-397-000	E-03	10	90545-NN4-J10	F-03	9	91006-HA0-003	E-11	25	91312-NN3-003	E-05	13
90446-357-000	E-13	20	90545-NN4-J10	F-11	7	91007-NN4-003	E-02	16	91316-MJ8-003	E-11	35
90446-NN4-000	E-01	16	90548-NN4-J10	F-02	11	91008-NN4-003	E-09	8	91320-KE1-000	E-05	14
90447-KE1-000	E-08	5	90601-360-000	E-13	25	91011-KS6-003	E-06	19	91320-KE1-000	E-08	11
90451-155-000	E-14	23	90601-KJ9-000	F-22	25	91012-KA3-710	E-11	26	91351-GS2-701	F-20	22
90452-178-000	E-15	10	90602-360-000	E-13	26	91015-425-831	F-05	5	91351-KA3-711	E-13	27
90452-323-000	E-01	17	90602-NN4-600	F-06	2	91022-KA4-740	E-11	27	91362-ZC3-000	F-19	29
90452-KZ4-000	E-13	21	90602-NN4-600	F-14	26	91051-NN1-000	F-19	22	91370-461-000	E-02	17
90453-KZ4-000	E-13	22	90602-NN4-600	F-22	17	91051-NN1-000	F-20	19	91410-KT7-000	E-09	18
90454-GF9-000	E-09	6	90602-NN4-600	F-23	6	91052-NN0-000	F-19	23	91410-KT7-000	F-21	27
90454-MC7-000	F-22	19	90602-NN4-600	F-04 (ED)	2	91071-MA0-003	F-19	24			
90456-333-000	E-08	6	90602-NN4-600	F-04 (3ED)	6	91071-NN1-000	F-19	25	92000		
90456-KS6-000	E-06	15	90602-NN4-C10	F-19	4	91071-NN1-000	F-20	20	92101-04020-0A	F-21	22
90461-444-000	E-13	23	90602-NN4-G10	F-19	4	91074-NN3-003	F-20	21	92101-05018-0H	F-17	16
90463-ML7-000	E-01	18	90603-NN4-C10	F-23	23	91201-148-003	E-08	9	92301-04012-0A	F-04 (ED)	30
90463-ML7-000	E-04	3	90603-NN4-C10	F-25	7	91201-951-003	F-17	13	92900-06022-0B	F-23	16
90463-ML7-000	E-08	7	90604-NN4-P10	F-23	21	91201-KS6-004	E-11	28			
90482-567-000	E-03	11	90608-072-000	E-06	17	91201-MEB-671	E-11	29	93000		
90501-425-000	F-21	20	90658-NN4-J10	F-03	11	91202-MEB-671	E-11	30	93301-06016-0A	E-14	24
90501-444-000	E-15	11	90751-GK1-003	E-09	7	91202-NN4-003	E-09	9	93404-06014-00	F-19	30
90501-ML3-910	E-06	16	90751-MAK-000	F-18	16	91203-KA4-771	E-11	31	93404-06018-07	F-22	20
90501-NN4-003	E-13	24	90851-NN4-300	F-14	22	91204-HB3-004	E-11	32	93404-06020-07	F-22	21
90501-NN4-G00	F-13 (ED)	5	90851-NN4-B00	F-06	8	91205-KA3-712	E-05	10	93405-08020-00	F-23	12
90501-NN4-G00	F-13 (3ED)	5	90901-NN4-P60	E-11	18	91211-KA3-761	E-08	10	93500-04012-1A	F-01	15
90502-NN4-000	F-19	20				91253-KA3-731	F-19	26	93600-05012-0G	F-19	32
									93600-05016-0G	F-19	33

PART No. INDEX 2024

Part No.	Block	Ref.No.	Part No.	Block	Ref.No.	Part No.	Block	Ref.No.
93600-06010-0H	E-11	36	95002-02100	F-13 (ED)	22	96001-06045-00	E-11	41
93891-04010-00	F-22	22	95002-02100	F-13 (3ED)	22	96001-06050-00	E-08	13
93913-14180	F-15	22	95002-02129	F-13 (ED)	7	96001-06050-00	E-09	16
93913-14180	F-04 (ED)	26	95002-02129	F-13 (3ED)	7	96001-06055-00	E-05	18
93913-14180	F-04 (3ED)	4	95002-NN4-J10	F-11	8	96001-06055-00	E-11	42
93913-15280	F-19	35	95003-43004-20	F-19	37	96001-06060-00	E-08	14
			95005-55035-20	F-13 (ED)	14	96001-06070-00	E-11	43
94000			95005-55035-20	F-13 (3ED)	14	96001-06075-00	E-11	44
94001-05000-0S	F-17	19	95005-55225-20	F-15	25	96001-06080-00	E-11	45
94001-06000-0S	F-17	14	95018-50250	F-15	11	96001-06085-00	E-11	46
94050-05000	F-19	36	95701-06025-00	F-15	26	96100-62013-00	E-02	18
94050-06000	F-15	23				96150-60040-10	F-12	24
94050-06000	F-16	12	96000			96150-60040-10	F-09	13
94050-10000	F-04 (ED)	34	96001-0600800	F-21	31	96211-08000	F-17	17
94101-05000	F-06	7	96001-06012-00	F-11	9	96220-30178	E-07	5
94101-06000	F-16	13	96001-06012-00	F-19	38	96220-40080	E-14	26
94102-08000	F-18	18	96001-06014-00	E-11	40	96300-08018-00	F-23	13
94103-04700	F-04 (ED)	36	96001-06014-00	E-15	14	96300-08032-00	F-23	24
94111-04000	F-01	16	96001-06014-00	F-06	3	96300-08032-00	F-09	19
94301-08100	E-09	11	96001-06018-00	F-21	23	96300-08035-00	E-09	17
94301-08140	E-01	20	96001-06020-00	E-01	22	96300-08055-00	F-09	20
94301-08140	E-05	15	96001-06020-00	F-21	24	96300-08070-00	E-11	47
94301-08140	E-11	37	96001-06022-00	E-01	23	96400-10085-00	F-23	14
94301-12200	E-01	21	96001-06022-00	F-17	15	96600-06010-10	F-19	39
94301-12200	E-04	4	96001-06022-00	F-21	25	96600-06022-00	F-11	10
94510-14000	E-14	25	96001-06022-00	F-21	26	96600-08025-10	F-05	6
94510-16000	E-15	13	96001-06025-00	E-08	12	96600-080-2810	F-04 (ED)	8
94520-14000	E-09	12	96001-06028-00	E-01	24	96600-080-2810	F-04 (3ED)	12
94520-19000	E-11	38	96001-06028-00	E-04	5	96700-06022-00	E-16	4
94520-28000	E-09	13	96001-06028-00	E-05	16	96700-08032-10	F-17	18
94591-27000	F-04 (ED)	20	96001-06028-00	E-09	14			
			96001-06028-00	F-22	24	98000		
95000			96001-06035-00	E-01	25	98059-56916-00	E-01	26
95002-02100	E-11	39	96001-06035-00	E-05	17			
95002-02100	F-15	24	96001-06035-00	E-09	15	U		
95002-02100	F-22	23				U2NN4VUMH	E-01	28



Printed in Spain