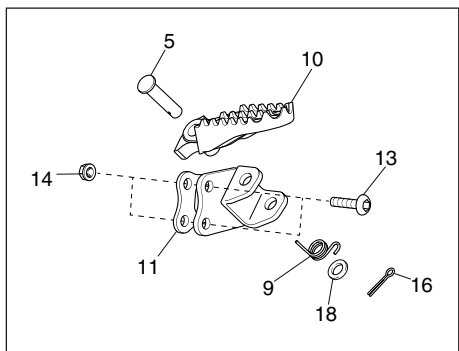
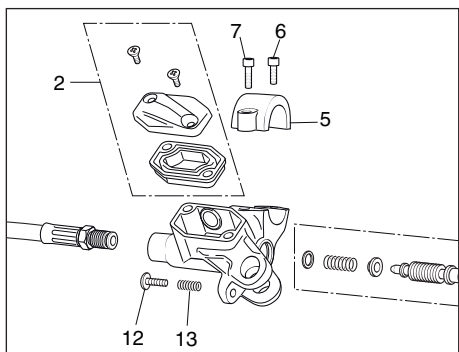
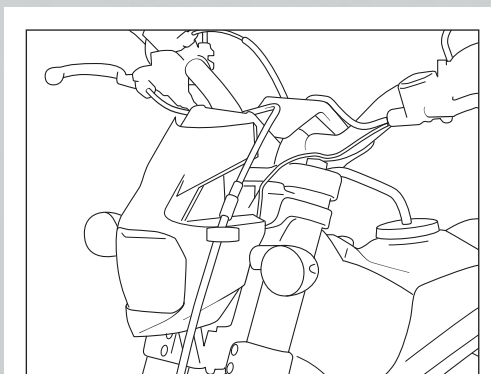


Part List 2017



MONTESA HONDA, S.A.U.

PART LIST

4RIDE 2017

MONTESA 4RIDE MST260H 2017

The following diagram shows the version of the 4RIDE MST260H model:

(ED) Street version, 4RIDE MST260H



All information in this publication is based on the latest product information available at the time of approval for printing.
MONTESA HONDA, S.A.U. reserves the right to make changes at any time without notice and without incurring any obligation.
No part of this publication may be reproduced without written permission.

**ILLUSTRATION MANAGEMENT NUMBER (IDENTIFICATION)
FOR '16 4RIDE MST260H PARTS LIST**

ENGINE GROUP	ILLUSTRATION NUMBER	FRAME GROUP	ILLUSTRATION NUMBER
Cylinder head	E-1	Cable / Switch	F-1
Camshaft / Valve	E-2	Front brake master cylinder	F-2
Camchain / Tensioner	E-3	Clutch master cylinder	F-3
Cylinder	E-4	Steering handle pipe / Top bridge / Head light	F-4
RH. Crankcase cover	E-5	Steering stem	F-5
Clutch	E-6	Front fender	F-6
Oil pump	E-7	Front fork (Tech).....	F-7
Water pump	E-8	Front brake caliper	F-8
LH. Crankcase cover	E-9	Front wheel.....	F-9
Generator	E-10	Rear brake caliper	F-10
Crankcase	E-11	Rear brake master cylinder	F-11
Crankshaft / Piston.....	E-12	Rear wheel.....	F-12
Transmission.....	E-13	Fuel tank / Fuel pump	F-13
Gearshift drum.....	E-14	Side covers / Rear fender / Seat	F-14
Kick starter spindle.....	E-15	Air cleaner	F-15
Throttle body / Injector	E-16	Exhaust muffler.....	F-16
		Pedal / Kick starter arm.....	F-17
		Stand / Step	F-18
		Swingarm	F-19
		Rear cushion (Ollé)	F-20
		Wire harness.....	F-21
		Radiator.....	F-22
		Frame body	F-23
		Emblem Stripe.....	F-24

CONTENTS OF '16 4RIDE MST PARTS LIST

INSTRUCTIONS FOR USE OF PARTS LIST.....	5
---	---

ENGINE GROUP

E-1	Cylinder head.....	6
E-2	Camshaft / Valve.....	7
E-3	Camchain / Tensioner.....	8
E-4	Cylinder.....	9
E-5	RH. Crankcase cover.....	10
E-6	Clutch.....	11
E-7	Oil pump.....	12
E-8	Water pump.....	13
E-9	LH. Crankcase cover.....	14
E-10	Generator.....	15
E-11	Crankcase.....	16
E-12	Crankshaft / Piston.....	18
E-13	Transmission.....	19
E-14	Gearshift drum.....	20
E-15	Kick starter spindle.....	21
E-16	Throttle body / Injector.....	22

FRAME GROUP

F-1	Cable / Switch.....	23
F-2	Front brake master cylinder.....	24
F-3	Clutch master cylinder.....	25
F-4	Steering handle pipe / Top bridge / Head light.....	26
F-5	Steering stem.....	28
F-6	Front fender.....	29
F-7	Front fork (Tech).....	30
F-8	Front brake caliper.....	31
F-9	Front wheel.....	32
F-10	Rear brake caliper.....	33
F-11	Rear brake master cylinder.....	34
F-12	Rear wheel.....	35
F-13	Fuel tank / Fuel pump.....	36
F-14	Side covers / Rear fender / Seat.....	37
F-15	Air cleaner.....	39
F-16	Exhaust muffler.....	40
F-17	Pedal / Kick starter arm.....	41
F-18	Stand / Step.....	42
F-19	Swingarm.....	43
F-20	Rear cushion (Ollé).....	45
F-21	Wire harness.....	46
F-22	Radiator.....	47
F-23	Frame body.....	48
F-24	Emblem Stripe.....	49

INSTRUCTIONS FOR USE OF PARTS LIST

This parts list is to be used when ordering replacement parts. It contains all parts for model '17 - 4RIDE MST260H.

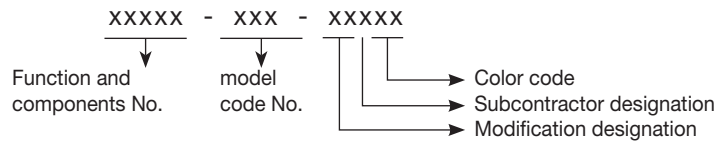
1) HOW TO ORDER PARTS

- * Replacement parts orders must contain both the part number and the stamped number(s) as described below. This is because any changes and modifications of parts are registered at HONDA with the pertinent parts and stamped numbers.
- * If "N" is indicated in the quantity column, it indicates that the parts are to be used as required.

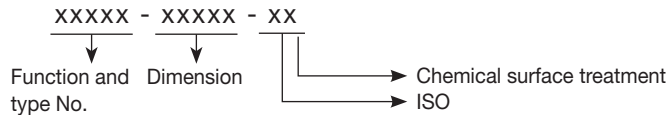
2) HOW TO READ THIS PARTS LIST

- Make-up of the number

* General parts (Example)



* Bolts, nuts and other standard parts (Example)



* Abbreviations

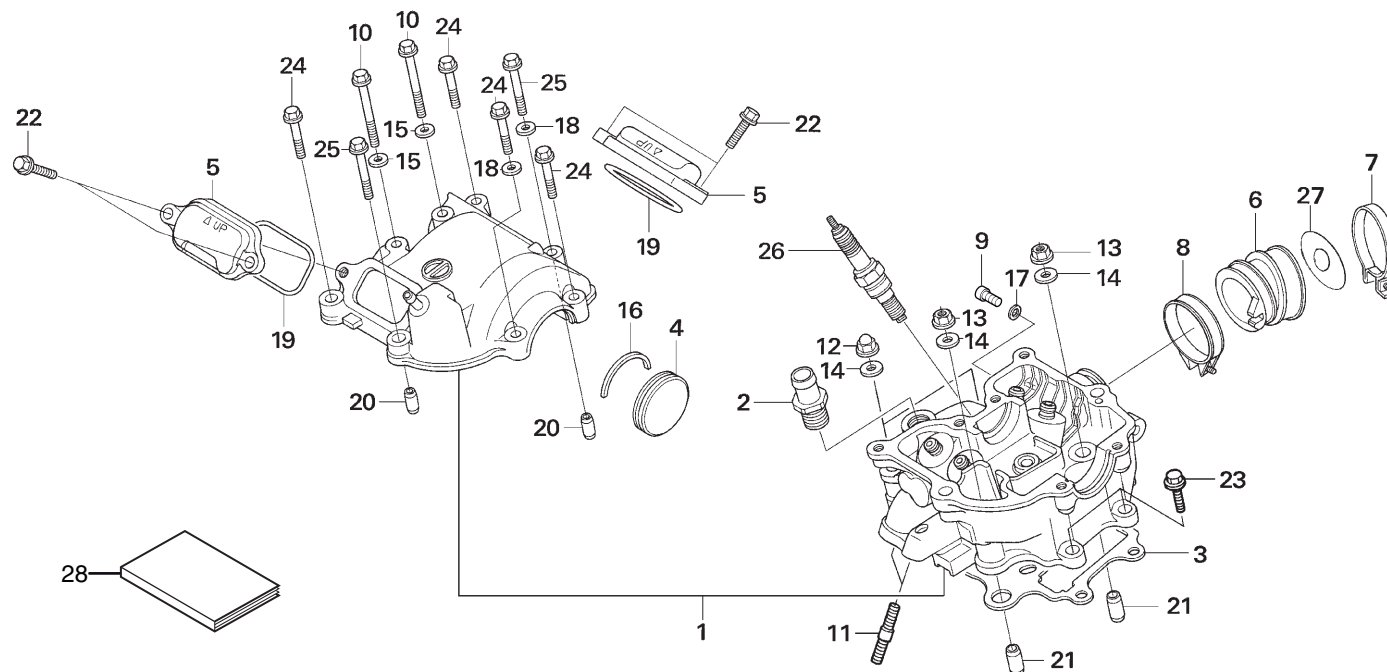
The following abbreviations are used in this parts list.

- A.C. Alternating current
- ASSY. Assembly
- COMP. Complete
- G. Gram
- L. Left
- L (100L) Link (100 Links)
- mm Milimeter
- D. Right
- STD Standard
- T (21T) Tooth (21 teeth)
- t Thickness (mm)

* Serial number

MODEL	TYPE	FRAME No.	ENGINE No.
MST 260 H	ED	*VTDND14A?HE000001*	NN4E6001001

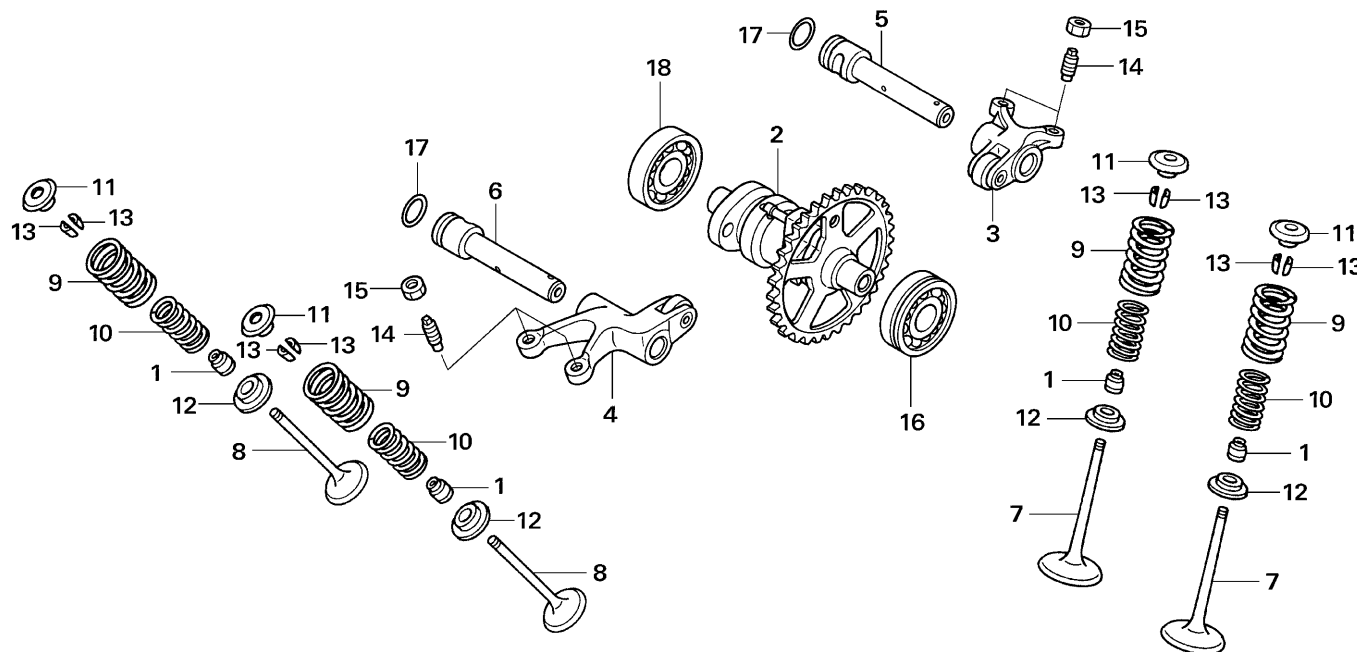
Block No.
E-1
Cylinder head



No.	Part Number	Description	Qty.	FRT	No.	Part Number	Description	Qty.	FRT
1	12010-NN4-000	HEAD SET, CYLINDER	1	2.8*	17	90452-323-000	WASHER, 5MM	1	—
2	12203-KA5-690	JOINT, PIPE 13	1	—	18	90463-ML7-000	WASHER, SEALING, 6.5mm	2	—
3	12251-KRN-731	GASKET, CYLINDER HEAD.....	1	2.8*	19	91303-436-003	O-RING, 43X2.5.....	2	0.7
4	12312-NN4-000	CAP, CYLINDER HEAD SIDE.....	1	—	20	94301-08140	DOWEL PIN, 8X14.....	2	—
5	12351-NN4-000	COVER, TAPPET ADJ HOLE	2	—	21	94301-12200	DOWEL PIN, 12X20.....	2	—
6	16211-NN4-000	INSULATOR, THROTTLE BODY.....	1	—	22	96001-06020-00	BOLT, FLANGE, 6X20.....	4	—
7	16215-NN4-000	BAND, INSULATOR	1	—	23	96001-06022-00	BOLT, FLANGE, 6X22.....	2	—
8	16216-MCZ-000	BAND, INSULATOR A.....	1	—	24	96001-06028-00	BOLT, FLANGE, 6X28.....	4	—
9	90089-KR0-000	BOLT SOCKET 5X12	1	—	25	96001-06035-00	BOLT, FLANGE, 6X35.....	2	—
10	90002-NN4-000	BOLT, SPECIAL 6X50	2	—	26	98059-56916-00	SPARK PLUG, CR6EH-9	1	0.1
11	90041-NN4-000	BOLT, STUD 2.7X17	2	—	27	16213-NN4-J10	INSOLATE PLATE	1	0.3
12	90232-MB6-680	NUT 9MM, CAP	2	—	28	32NN4L10	SHOP / OWNER'S MANUAL (ENGLISH).....	1	—
13	90233-MM4-000	NUT FLANGE 9mm	2	—		35NN4L10	SHOP / OWNER'S MANUAL (ESPAÑOL).....	1	—
14	90401-KRN-670	WASHER, PLAIN 9mm	4	—		34NN4L10	SHOP / OWNER'S MANUAL (DEUTSCH).....	1	—
15	90441-MR1-770	WASHER, SEALING	2	—		3LNN4L10	SHOP / OWNER'S MANUAL (ITALIANO)	1	—
16	90446-NN4-000	WASHER, CAM SHAFT THRUST.....	1	—		33NN4L10	SHOP / OWNER'S MANUAL (FRANÇAIS)	1	—

* INCLUDES: Engine removal and installation

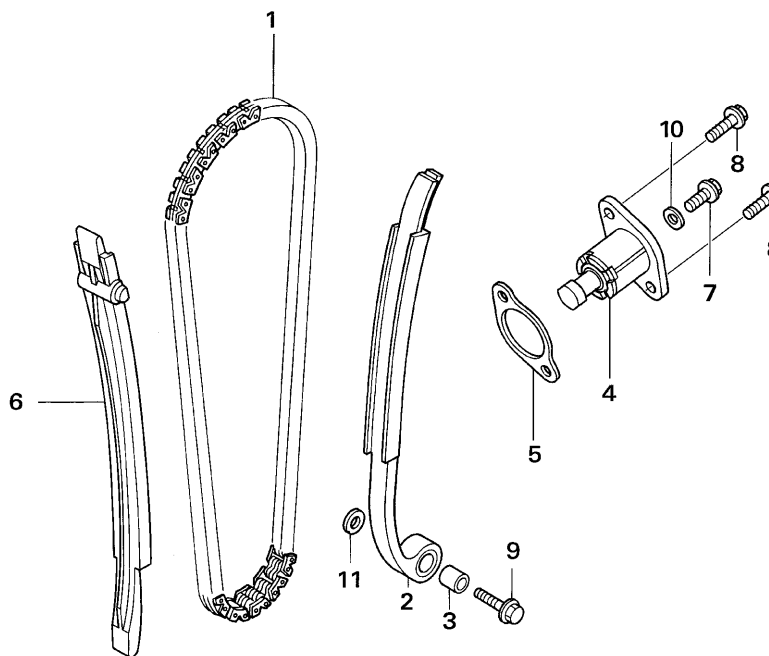
Block No.
E-2
 Camshaft
 Valve



No.	Part Number	Description	Qty.	FRT	No.	Part Number	Description	Qty.	FRT
1	12209-ML0-722	SEAL VALVE STEM.....	4	2.9*	17	91370-461-000	O-RING, 11.9X2.2.....	2	2.7*
2	14100-NN4-D00	SHAFT COMP., CAM.....	1	2.7*	18	96100-62013-00	BEARING, BALL RADIAL 6201	1	2.7*
3	14430-NN4-000	ARM COMP., IN. ROCKER	1	2.7*					
4	14440-NN4-000	ARM COMP., EXH. ROCKER.....	1	2.7*					
5	14450-NN4-000	SHAFT COMP., IN. ROCKER ARM.....	1	2.7*					
6	14460-NN4-000	SHAFT COMP., EX. ROCKER ARM.....	1	2.7*					
7	14711-NN4-000	VALVE, INLET	2	3.0*					
8	14721-NN4-000	VALVE, EXHAUST.....	2	3.0*					
9	14751-NN4-000	SPRING, VALVE OUTER.....	4	3.0*					
10	14752-NN4-000	SPRING, VALVE INNER	4	3.0*					
11	14771-KW3-900	RETAINER VALVE SPRING.....	4	3.0*					
12	14776-NN4-000	SEAT, VALVE SPRING.....	4	3.0*					
13	14781-ML0-720	COTTER, VALVE	8	3.0*					
14	90012-KK3-830	SCR., TAPPET ADJG.....	4	—					
15	90206-250-000	NUT, TAPPET ADJG	4	—					
16	91007-NN4-003	BEARING, BALL RADIAL 6201 SPL.....	1	2.7*					

* INCLUDES: Engine removal and installation

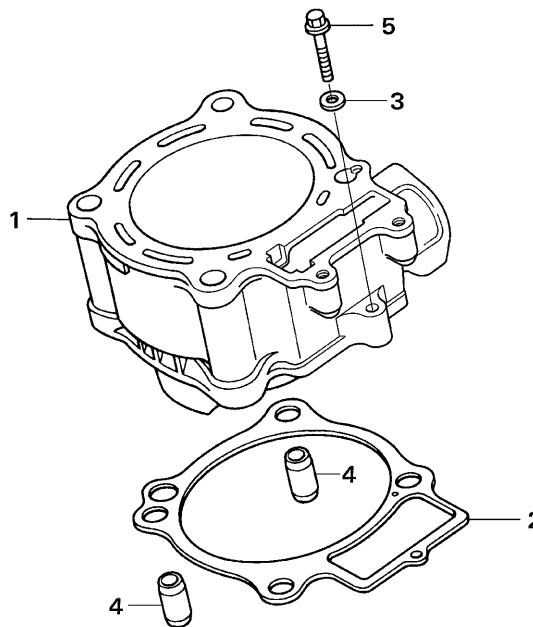
Block No.
E-3
 Camchain
 Tensioner



No.	Part Number	Description	Qty.	FRT	No.	Part Number	Description	Qty.	FRT
1	14401-NN4-003	CHAIN, CAM	1	2.9*					
2	14510-NN4-000	TENSIONER COMP., CAM CHAIN	1	0.7					
3	14515-KF0-000	TENSIONER COLLAR	1	—					
4	14520-KRN-671	LIFTER ASSY., TENSIONER.....	1	0.2					
5	14560-MEN-671	GASKET, TENSIONER LIFTER	1	0.2					
6	14620-NN4-000	GUIDE, CAM CHAIN	1	2.8*					
7	90004-GHB-600	BOLT, FLANGE, NSHF, 6X10.....	1	—					
8	90004-GHB-630	BOLT, FLANGE, NSHF, 6X16.....	2	—					
9	90088-MEB-670	BOLT, FLANGE 6X25	1	—					
10	90442-397-000	WASHER, SEALING 6mm	1	—					
11	90482-567-000	WASHER, SPECIAL 6mm.....	1	—					

* INCLUDES: Engine removal and installation

Block No.
E-4
 Cylinder



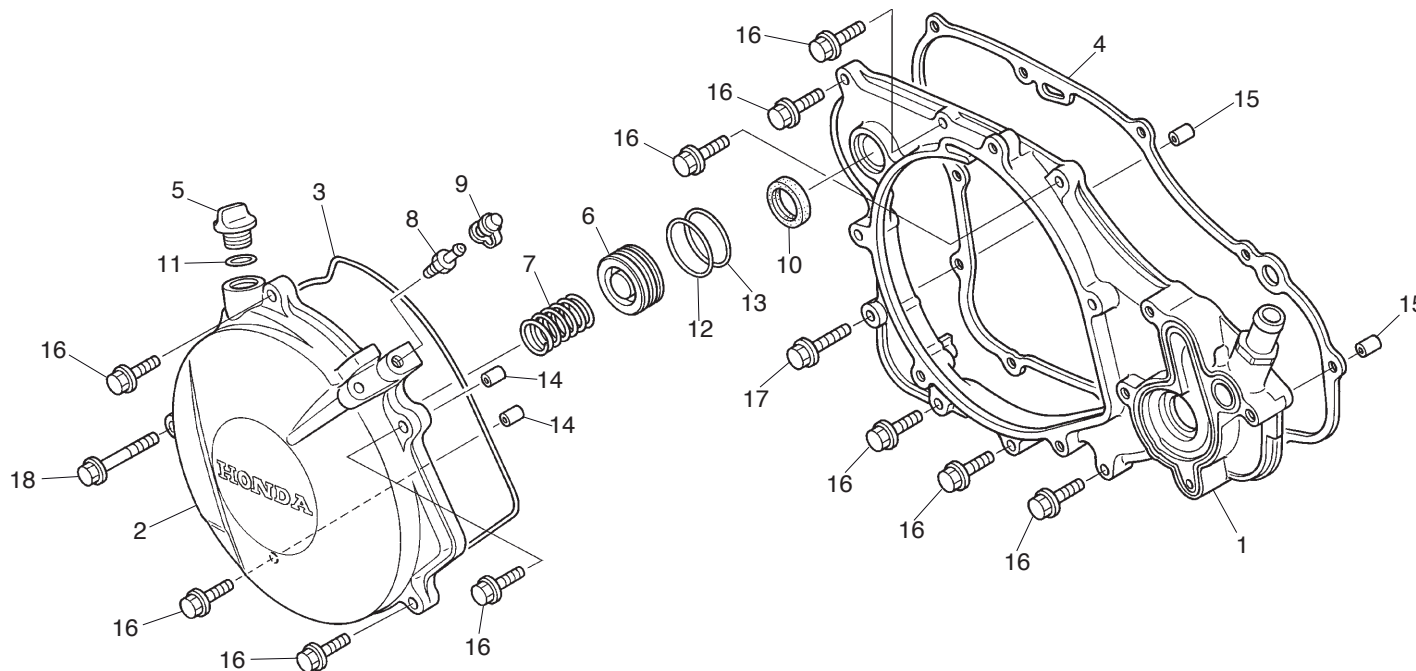
No.	Part Number	Description	Qty.	FRT	No.	Part Number	Description	Qty.	FRT
1	12100-NN4-D00	CYLINDER	1	2.9*					
2	12191-NN4-003	GASKET, CYLINDER	1	2.9*					
3	90463-ML7-000	WASHER, SEALING, 6.5mm	1	—					
4	94301-12200	PIN, DOWEL, 12X20	2	—					
5	96001-06028-00	BOLT, FLANGE, 6X28	1	—					

* INCLUDES: Engine removal and installation

Block No.

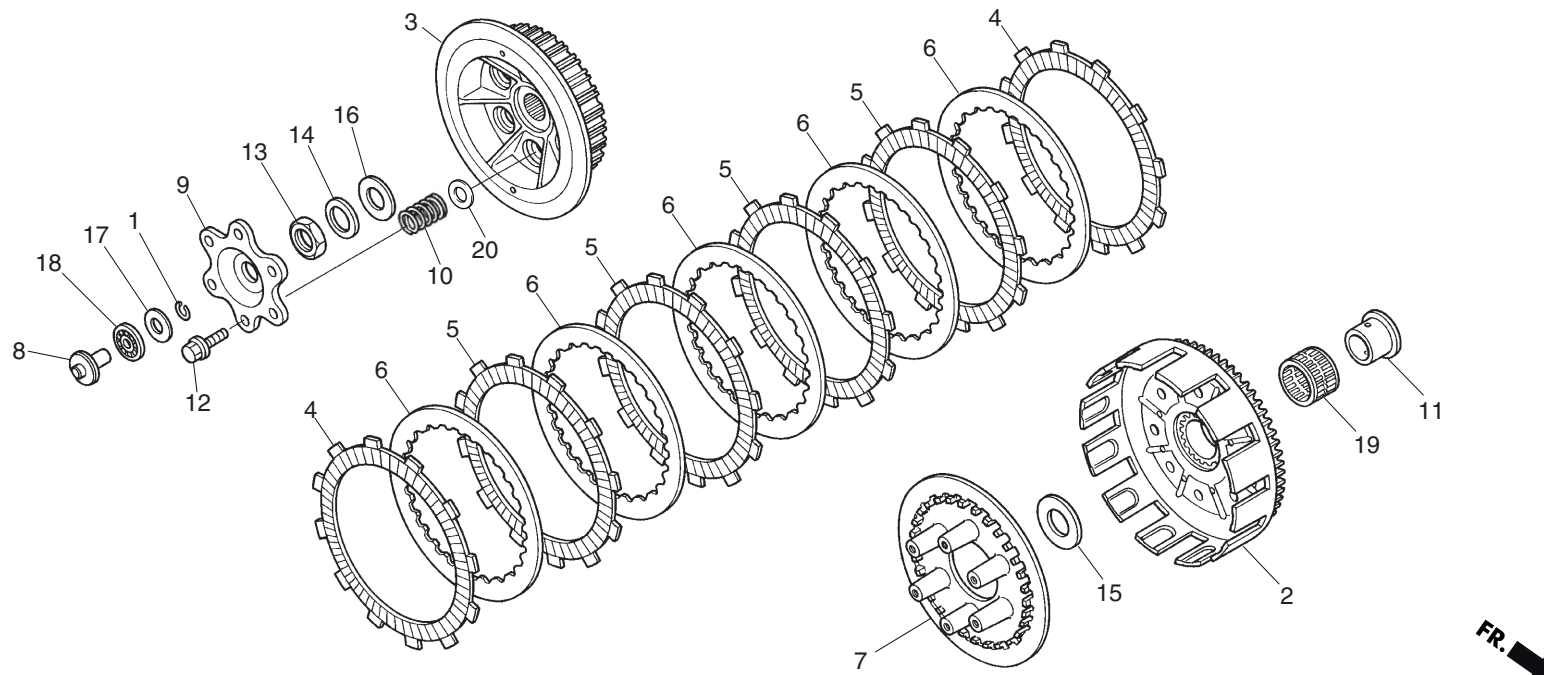
E-5

RH. Crankcase cover



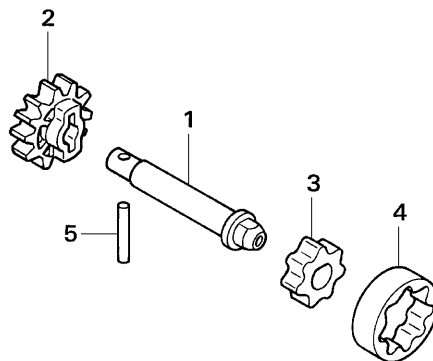
No.	Part Number	Description	Qty.	FRT	No.	Part Number	Description	Qty.	FRT
1	11330-NN4-000	COVER COMP., RH. CRANK CASE	1	0.3	17	96001-06035-00	BOLT, FLANGE, 6X35.....	1	—
2	11350-NN4-000	COVER COMP., CLUTCH.....	1	0.2	18	96001-06055-00	BOLT, FLANGE, 6X55.....	1	—
3	11352-NN4-003	GASKET, CLUTCH COVER	1	0.2					
4	11394-NN4-000	GASKET, RH. COVER.....	1	0.3					
5	15611-KA3-710	CAP, OIL FILLER.....	1	—					
6	22863-NN3-000	PISTON COMP., SLAVE CYLN	1	—					
7	22864-NN3-000	SPRING, SLAVE CYLN.....	1	—					
8	43352-568-003	SCREW, BLEEDER.....	1	—					
9	43353-461-771	CAP, BLEEDER.....	1	—					
10	91205-KA3-712	OIL SEAL, 16.5X25X5.....	1	0.2					
11	91305-PH7-003	O-RING, 11.9X2.4.....	1	—					
12	91312-371-013	O-RING, 23X2.1.....	1	—					
13	91312-NN3-003	O-RING, 21.8X2.4.....	1	—					
14	91320-KE1-000	PIN, DOWEL SPC. 8X7	2	—					
15	94301-08140	DOWEL PIN, 8X14.....	2	—					
16	96001-06028-00	BOLT, FLANGE, 6X28.....	10	—					

Block No.
E-6
 Clutch



No.	Part Number	Description	Qty.	FRT	No.	Part Number	Description	Qty.	FRT
1	13115-147-000	CLIP, PISTON PIN 10mm	1	—	17	90608-072-000	WASHER 12mm	1	—
2	22100-NN4-000	OUTER COMP., CLUTCH	1	0.4	18	91001-147-003	BEARING., NEEDLE 12mm	1	—
3	22121-NN4-000	CENTER, CLUTCH	1	0.3	19	91011-KS6-003	BEARING., NEEDLE 25X29X22	1	—
4	22201-KY2-000	DISK, CLUTCH FRICTION	2	0.3	20	22403-NN4-L60	WASHER SPRING, CLUTCH	6	0.4
5	22201-NN4-B00	DISK, CLUTCH FRICTION (PAPER)	4	0.3					
6	22321-MG3-000	PLATE, CLUTCH	5	0.3					
7	22351-NN4-000	PLATE, CLUTCH PRESSURE	1	0.3					
8	22352-NN4-000	PIECE, CLUTCH LIFTER	1	0.2					
9	22361-NN4-000	PLATE, CLUTCH LIFTER	1	0.2					
10	22402-NN4-000	SPRING, CLUTCH	6	0.2					
11	28237-KZ4-A10	COLLAR, CLUTCH OUTER	1	0.4					
12	90004-GHB-660	BOLT, FLANGE, NSHF, 6X22	6	—					
13	90201-NN3-000	NUT, 18mm	1	—					
14	90432-KF0-000	WASHER LOCK	1	—					
15	90456-KS6-000	WASHER, THRUST, 20mm	1	—					
16	90501-ML3-910	WASHER, 18X32X2	1	—					

Block No.
E-7
Oil pump

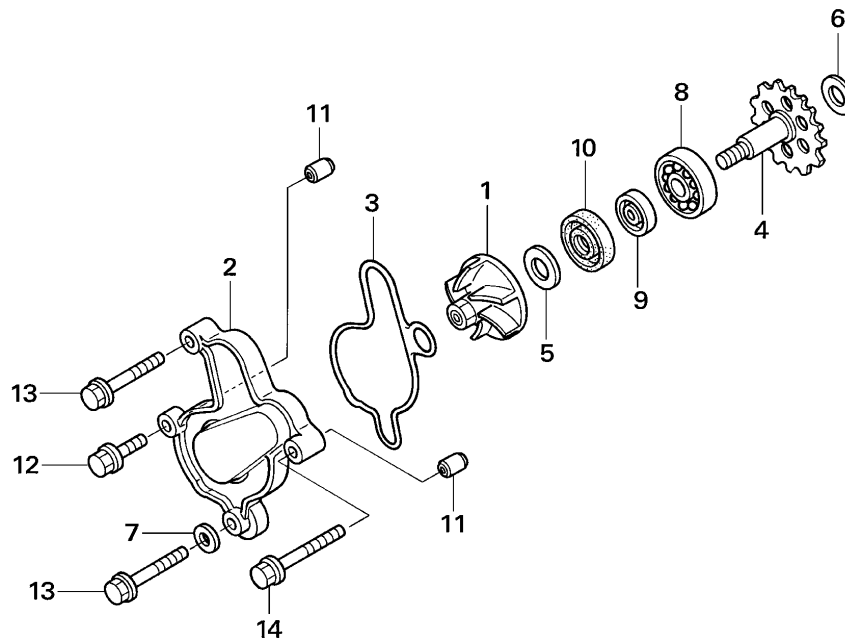


FR.

No.	Part Number	Description	Qty.	FRT	No.	Part Number	Description	Qty.	FRT
1	15111-NN4-000	SHAFT, OIL PUMP.....	1	3.1 *					
2	15133-NN4-000	GEAR, OIL PUMP DRIVEN.....	1	0.3					
3	15331-324-000	ROTOR INNER OIL PUMP	1	3.1 *					
4	15332-324-000	ROTOR OUTER OIL PUMP	1	3.1 *					
5	96220-30178	ROLLER, 3X17.8.....	1	—					

* INCLUDES: Engine removal and installation

Block No.
E-8
 Water pump



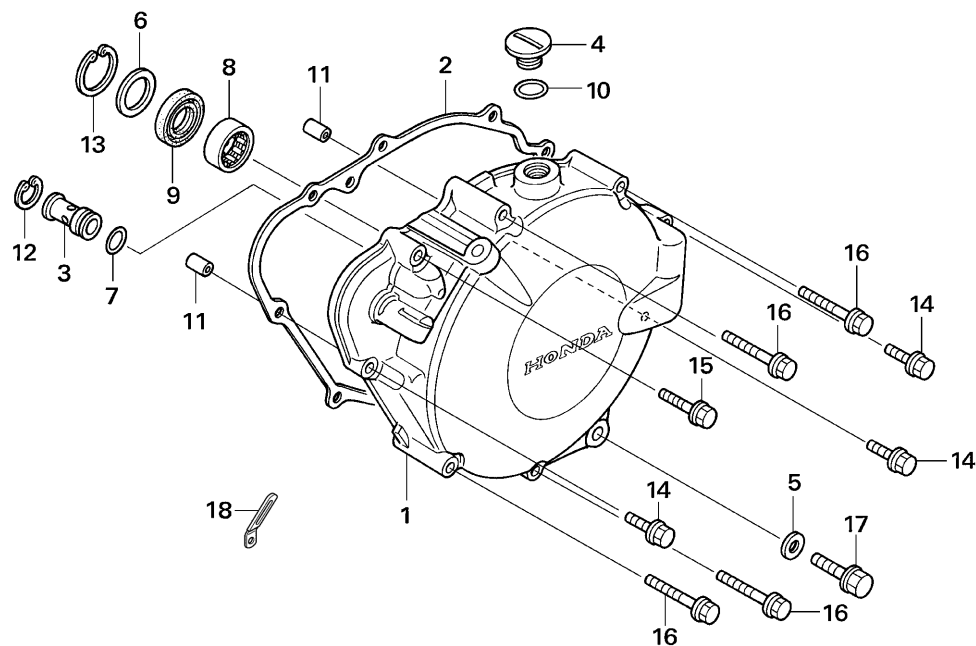
FR. 

No.	Part Number	Description	Qty.	FRT	No.	Part Number	Description	Qty.	FRT
1	19215-GC4-731	IMPELLER, WATER PUMP	1	0.2					
2	19221-NN4-000	COVER, WATER PUMP	1	0.2					
3	19229-NN4-000	GASKET, W/P COVER	1	0.2					
4	19240-NN4-010	GEAR COMP., WATER PUMP	1	0.3					
5	90447-KE1-000	WASHER, SEALING, 7mm	1	—					
6	90456-333-000	WASHER, THRUST 11mm	1	—					
7	90463-ML7-000	WASHER, SEALING, 6.5mm	1	—					
8	91001-KA4-003	BEARING., BALL, 12X28X7	1	0.4					
9	91201-148-003	OIL SEAL, 12X22X5	1	0.4					
10	91211-KA3-761	SEAL, WATER PUMP	1	0.4					
11	91320-KE1-000	PIN, DOWEL SPC. 8X7	2	—					
12	96001-06025-00	BOLT, FLANGE, 6X25	1	—					
13	96001-06050-00	BOLT, FLANGE, 6X50	2	—					
14	96001-06060-00	BOLT, FLANGE, 6X60	1	—					

Block No.

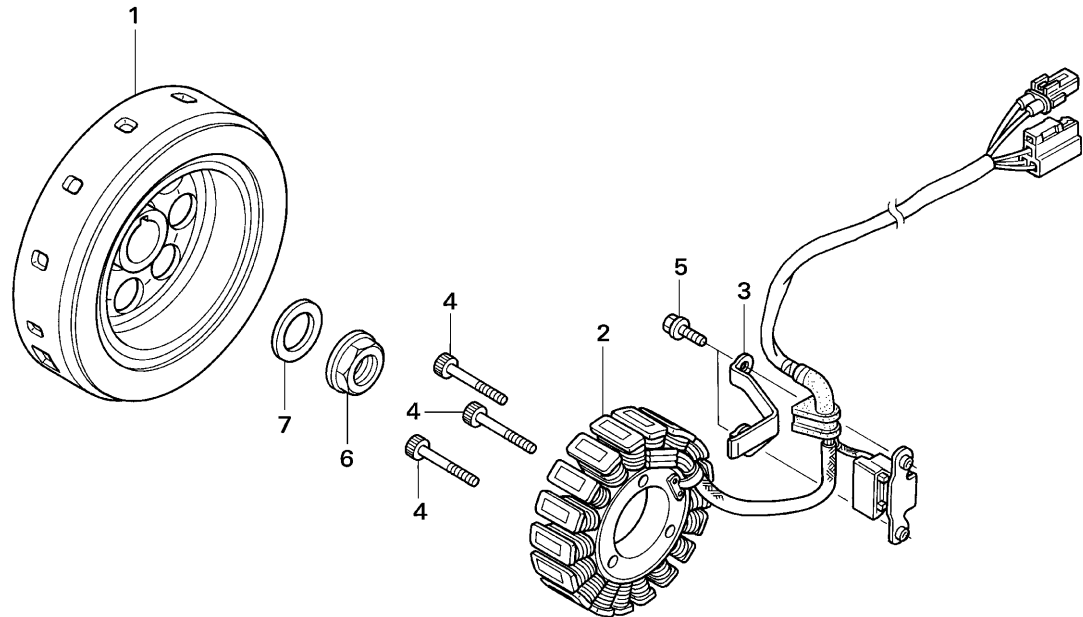
E-9

LH. Crankcase cover



No.	Part Number	Description	Qty.	FRT	No.	Part Number	Description	Qty.	FRT
1	11340-NN4-010	COVER COMP., LH. CRANK CASE.....	1	0.3	17	96300-08035-00	BOLT, FLANGE, DR, 8X35.....	1	—
2	11395-NN4-000	GASKET, LH. COVER.....	1	0.3	18	91410-KT7-000	CLIP, 4X60.....	1	—
3	15220-MEB-770	VALVE ASSY., RELIEF.....	1	—					
4	90084-428-000	CAP, ACG.....	1	—					
5	90441-ME9-000	WASHER, SEALING 8mm.....	1	—					
6	90454-GF9-000	WASHER, 20.2mm.....	1	—					
7	90751-GK1-003	O-RING 8.5X1.7.....	1	—					
8	91008-NN4-003	BEARING, NEEDLE 15X25X12.....	1	—					
9	91202-NN4-003	OIL SEAL, 15X26X5.....	1	—					
10	91303-377-000	O-RING, 13.8X2.5.....	1	—					
11	94301-08100	PIN, DOWEL 8X10.....	2	—					
12	94520-14000	CIRCLIP, IN, 14.....	1	—					
13	94520-28000	CIRCLIP, IN, 28.....	1	—					
14	96001-06028-00	BOLT, FLANGE, 6X28.....	3	—					
15	96001-06035-00	BOLT, FLANGE, 6X35.....	1	—					
16	96001-06050-00	BOLT, FLANGE, 6X50.....	4	—					

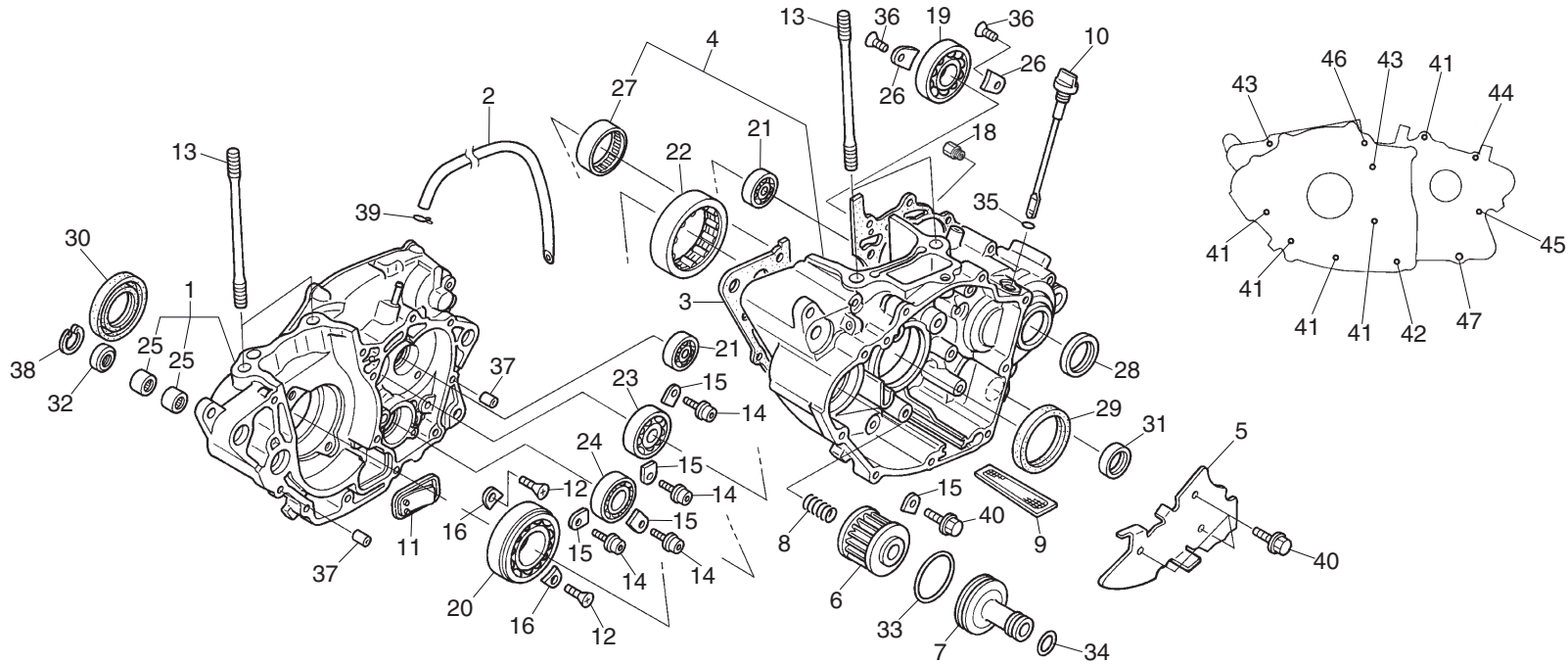
Block No.
E-10
 Generator



FR. ←

No.	Part Number	Description	Qty.	FRT	No.	Part Number	Description	Qty.	FRT
1	31110-NN4-003	FLYWHEEL COMP.	1	0.4					
2	31120-NN4-B01	STATOR COMP.	1	0.4					
3	31121-NN4-000	CLAMPER, ACG CORD.....	1	—					
4	90001-NN4-000	BOLT, SOCKET 5X28.....	3	—					
5	90005-896-000	BOLT, FLANGE 5X16.....	2	—					
6	90201-NN4-000	NUT, FLANGE 18mm.....	1	—					
7	90402-NN4-000	WASHER, 18mm	1	—					

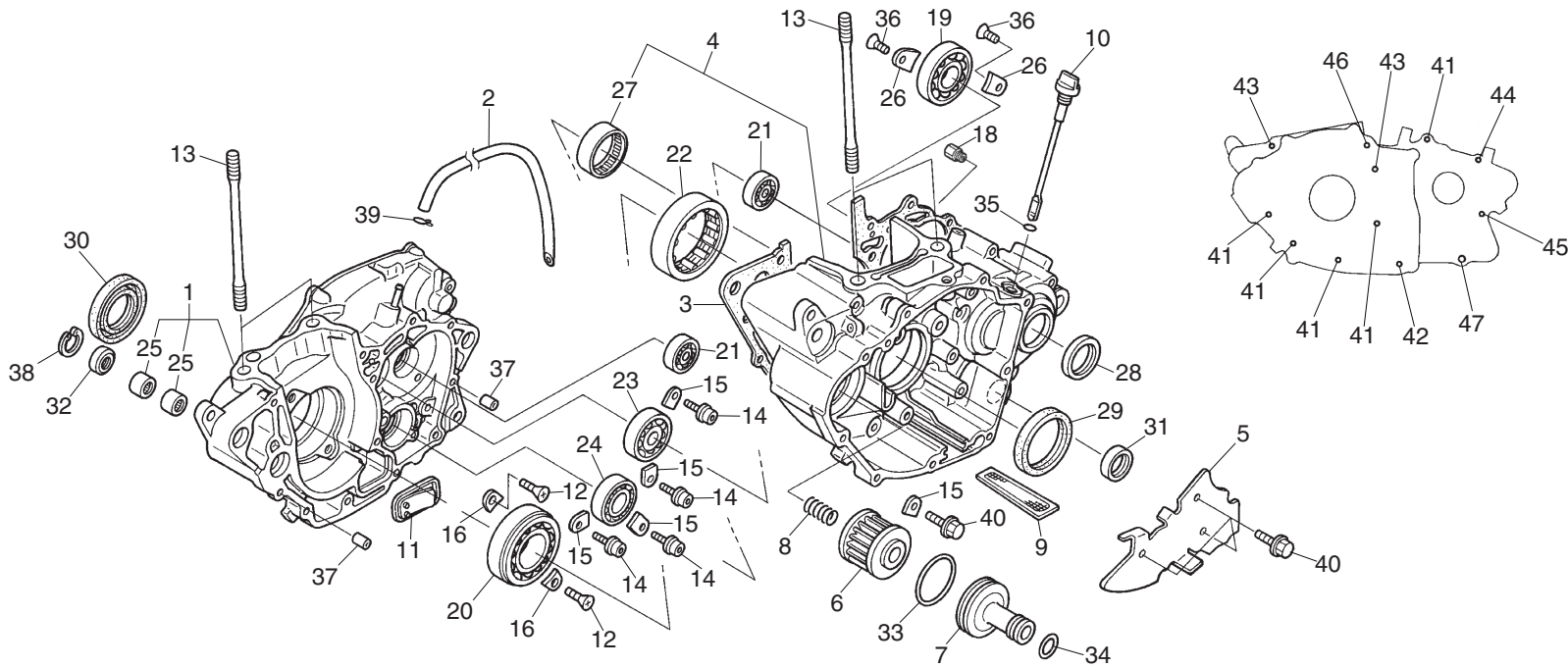
Block No.
E-11
Crankcase



No.	Part Number	Description	Qty.	FRT	No.	Part Number	Description	Qty.	FRT
1	11100-NN4-B00	CRANKCASE COMP, RIGHT	1	4.7*	17	90441-ME9-000	WASHER, SEALING 8mm	1	—
2	11105-NN4-000	TUBE, BREATHER.....	1	—	18	90901-NN4-D00	ORIFICE #190.....	1	—
3	11191-NN4-000	GASKET, CRANKCASE	1	4.1*	19	91001-KA3-711	BEARING, BALL, 6204	1	4.1*
4	11200-NN4-G00	CRANKCASE COMP, LEFT	1	4.7	20	91001-KRN-671	BEARING, BALL RADIAL 30X72X16	1	4.1*
5	11206-NN4-000	PLATE, CAM CHAIN GUIDE.....	1	0.4	21	91001-KZ4-J11	BEARING, BALL RADIAL 17X35X10	2	4.1*
6	15412-MEN-671	FILTER COMP, ENGINE OIL	1	0.5	22	91002-NN4-003	BEARING, ROLLER SPL	1	4.1*
7	15412-NN4-000	COVER, OIL FILTER	1	0.5	23	91004-KRN-671	BEARING, BALL RADIAL 22X47X14	1	4.1*
8	15414-MEB-670	SPRING, OIL FILTER	1	—	24	91004-KY4-900	BEARING, BALL RADIAL 6905U	1	4.1*
9	15421-NN4-000	SCREEN, OIL FILTER	1	0.3	25	91006-HA0-003	BEARING, NEEDLE 9mm	2	4.1*
10	15650-NN4-000	GAUGE, OIL LEVEL.....	1	—	26	91012-KA3-710	PLATE, C-SHAFT BEARING.....	2	—
11	18601-MBW-003	REED VALVE COMP.....	1	4.1*	27	91022-KA4-740	BEARING, SHELL 33X38X8	1	4.1*
12	90003-KRN-670	SCREW, FLAT SPL 6X12.....	2	—	28	91201-KS6-004	OIL SEAL, 26X37X7	1	0.4
13	90031-NN4-000	BOLT, STUD 10X110	4	—	29	91201-MEB-671	OIL SEAL, 35X52X7	1	3.0*
14	90071-MF5-000	BOLT, SOCKET FLANGE 6X14.....	4	—	30	91202-MEB-671	OIL SEAL, 39X56X7	1	0.7
15	90441-KA4-700	PLATE, BEARING HOLD	5	—	31	91203-KA4-771	OIL SEAL, 14X22X5.....	1	0.4
16	90441-KRN-670	PLATE, BEARING HOLD	2	—	32	91204-HB3-004	OIL SEAL, 9X18X5.....	1	0.3

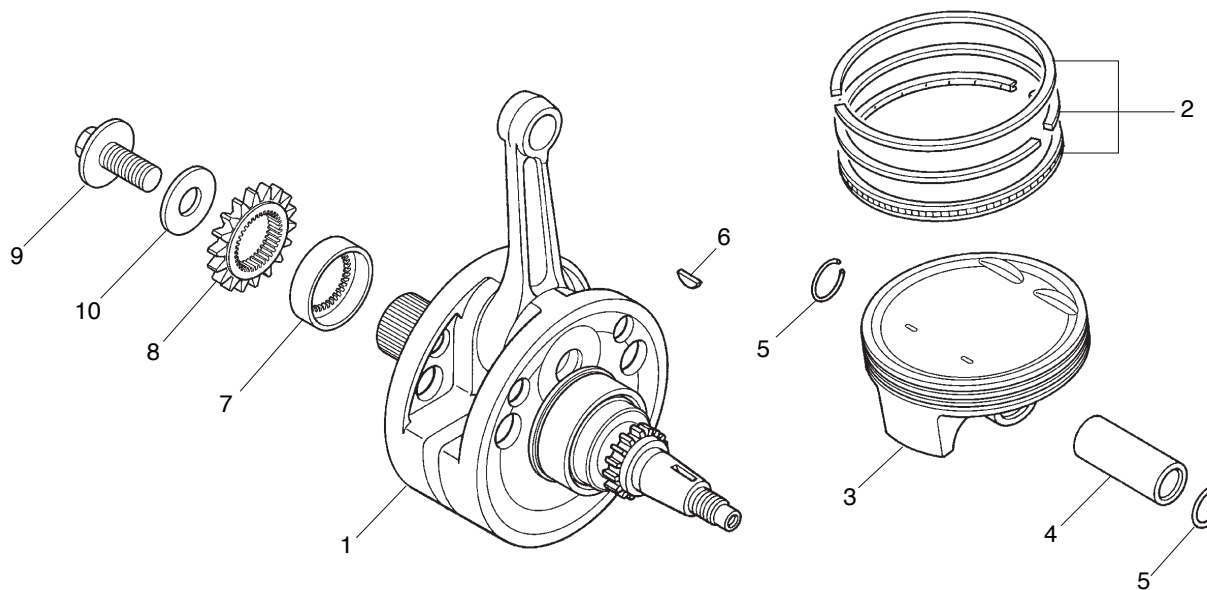
* INCLUDES: Engine removal and installation

Block No.
E-11
 Crankcase



No.	Part Number	Description	Qty.	FRT	No.	Part Number	Description	Qty.	FRT
33	91302-PA9-003	O-RING, 39.8X2.2.....	1	0.5					
34	91303-HA0-003	O-RING, 11X1.9.....	1	0.3					
35	91316-MJ8-003	O-RING, 8.4X2.4.....	1	—					
36	93600-06010-0H	SCREW, FLAT 6X10.....	2	—					
37	94301-08140	DOWEL PIN, 8X14.....	2	—					
38	94520-19000	CIRCLIP, IN, 19.....	1	—					
39	95002-02100	CLIP B10, TUBE.....	1	—					
40	96001-06014-00	BOLT, FLANGE, 6X14.....	4	—					
41	96001-06045-00	BOLT, FLANGE, 6X45.....	5	—					
42	96001-06055-00	BOLT, FLANGE, 6X55.....	1	—					
43	96001-06070-00	BOLT, FLANGE, 6X70.....	2	—					
44	96001-06075-00	BOLT, FLANGE, 6X75.....	1	—					
45	96001-06080-00	BOLT, FLANGE, 6X80.....	1	—					
46	96001-06085-00	BOLT, FLANGE, 6X85.....	1	—					
47	96300-08070-00	BOLT, FLANGE, DR, 8X70.....	1	—					

Block No.
E-12
Crankshaft
Piston

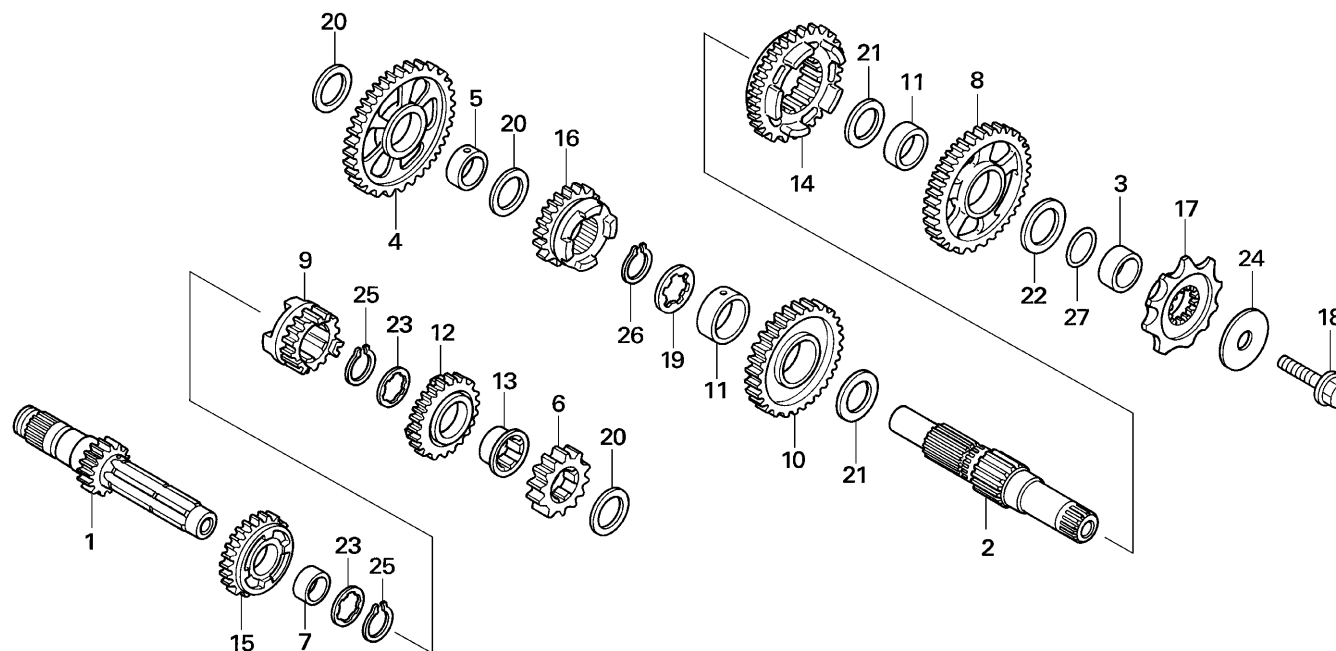


FR.

No.	Part Number	Description	Qty.	FRT	No.	Part Number	Description	Qty.	FRT
1	13000-NN4-D00	CRANK SHAFT COMP.....	1	4.0*					
2	13011-NN4-D00	RING SET, PISTON.....	1	3.1*					
3	13101-NN4-D00	PISTON.....	1	3.1*					
4	13111-KRN-850	PIN, PISTON.....	1	3.1*					
5	13115-KM7-700	CLIP, PISTON PIN 16mm	2	3.1*					
6	13331-357-000	KEY SPECIAL WOODRUFF, 25X18.....	1	—					
7	13617-NN4-000	COLLAR, DRIVE GEAR	1	0.6					
8	23121-NN4-000	GEAR, PRIMARY DRIVE.....	1	0.6					
9	90013-NN4-000	BOLT, SPECIAL 12X27	1	—					
10	90402-KY4-900	WASHER, PLAIN, 12mm	1	—					

* INCLUDES: Engine removal and installation

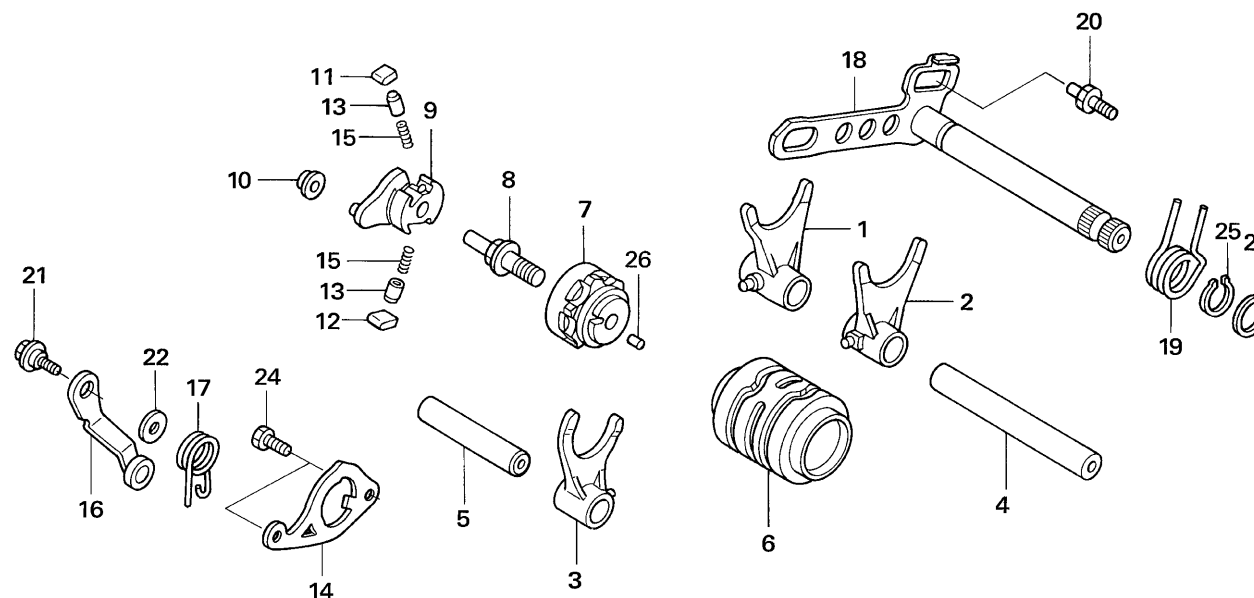
Block No.
E-13
 Transmission



No.	Part Number	Description	Qty.	FRT	No.	Part Number	Description	Qty.	FRT
1	23211-NN4-L80	SHAFT, MAIN.....	1	4.1*	17	23801-NN4-000	SPROCKET, DRIVE 10T	1	0.3
2	23221-NN4-L80	SHAFT, COUNTER	1	4.1*	18	90112-413-000	BOLT, UBS 8X33	1	—
3	23225-KS6-000	COLLAR, C-SHAFT	1	0.3	19	90404-NN4-L80	WASHER, THRUST, INV 22X21X1.....	1	—
4	23411-NN4-L80	GEAR, C-LOW	1	4.1*	20	90446-357-000	WASHER, THRUST 17.2mm	3	—
5	23413-NN4-000	COLLAR, 17mm	1	—	21	90452-KZ4-000	WASHER, THRUST 20X30X1	2	—
6	23421-NN4-L80	GEAR, M-2ND	1	4.1*	22	90453-KZ4-000	WASHER, THRUST 20X30X1.5.....	1	—
7	23422-GB4-770	BUSH, 20X9	1	—	23	90461-444-000	WASHER, SPLINE 20	2	—
8	23431-NN4-L80	GEAR, C-2ND.....	1	4.1*	24	90501-NN4-003	WASHER, SPRING 8X33.....	1	—
9	23441-NN4-L80	GEAR, M-3RD	1	4.1*	25	90601-360-000	SET RING 20mm	2	—
10	23451-NN4-L80	GEAR, C-3RD.....	1	4.1*	26	90602-360-000	SET RING 22mm	1	—
11	23452-NN4-000	COLLAR, C-3RD GEAR.....	2	—	27	91351-KA3-711	O-RING, 20mm.....	1	0.3
12	23461-NN4-L80	GEAR, M-4TH.....	1	4.1*					
13	23462-NN4-000	COLLAR, M-4TH GEAR.....	1	—					
14	23471-NN4-L80	GEAR, C-4TH	1	4.1*					
15	23481-NN4-L80	GEAR, M-5TH.....	1	4.1*					
16	23491-NN4-L80	GEAR, C-5TH	1	4.1*					

* INCLUDES: Engine removal and installation

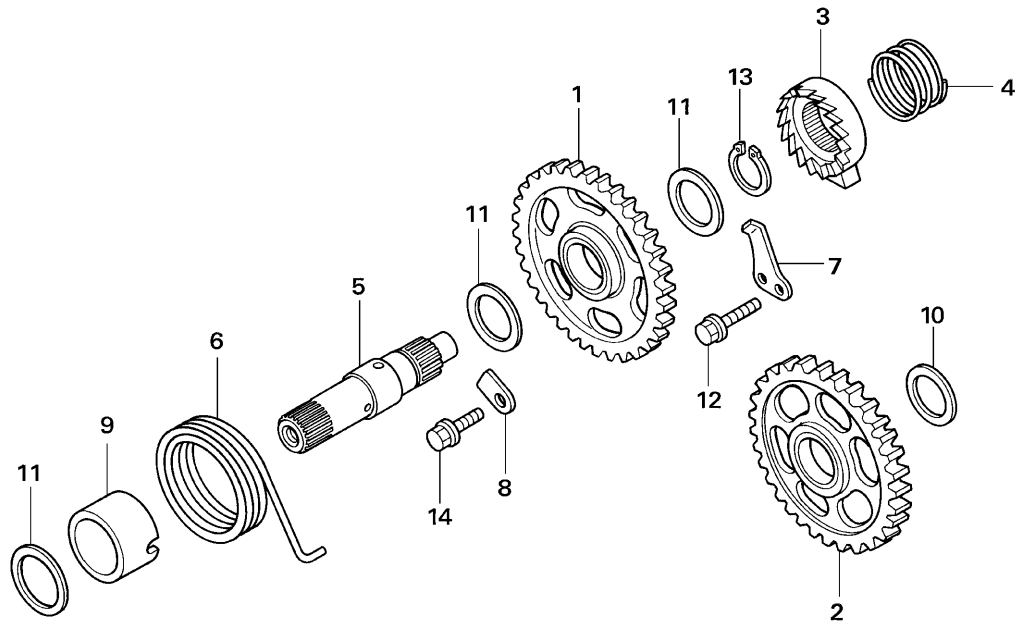
Block No.
E-14
Gearshift drum



No.	Part Number	Description	Qty.	FRT	No.	Part Number	Description	Qty.	FRT
1	24211-KRN-730	FORK RH., GEAR SHIFT	1	4.1*	17	24435-KA3-710	SPRING, DRUM STPR	1	0.9
2	24221-KRN-730	FORK LH., GEAR SHIFT	1	4.1*	18	24610-NN4-000	SPDL COMP., GEAR SHIFT	1	0.8
3	24231-NN4-000	FORK C, GEAR SHIFT	1	4.1*	19	24651-MEB-670	SPRING, SHIFT RETURN	1	0.8
4	24241-MEN-670	SHAFT A, SHIFT FORK	1	4.1*	20	24652-HA0-000	PIN, GEAR SHIFT RETURN SPRING.	1	—
5	24242-MEN-670	SHAFT B, SHIFT FORK	1	4.1*	21	90022-MG8-000	PIVOT, SHIFT DRUM STOPPER ARM	1	—
6	24311-NN4-000	DRUM, GEAR SHIFT	1	4.1*	22	90435-HB3-000	WASHER, 6.1mm	1	—
7	24312-KA3-741	CENTER, SHIFT DRUM	1	0.9	23	90451-155-000	WASHER, 14mm	1	—
8	24315-HA0-000	PIN, SHIFTER	1	—	24	93301-06016-0A	BOLT, HEX., 6x16mm	2	—
9	24321-KZ4-620	SHIFTER, DRUM	1	—	25	94510-14000	CIRCLIP, EX, 14	1	—
10	24322-MM4-000	COLLAR, DRUM SHIFTER	1	—	26	96220-40080	ROLLER, 4X8	1	—
11	24324-KA3-711	PAWL A, RATCHET	1	—					
12	24325-KA3-711	PAWL B, RATCHET	1	—					
13	24326-KBH-901	PLUNGER, PAWL	2	—					
14	24328-NN4-000	PLATE, GUIDE	1	0.9					
15	24329-KA3-740	SPRING, PAWL PLUNGER	2	—					
16	24430-NN4-000	STPR COMP., DRUM	1	0.9					

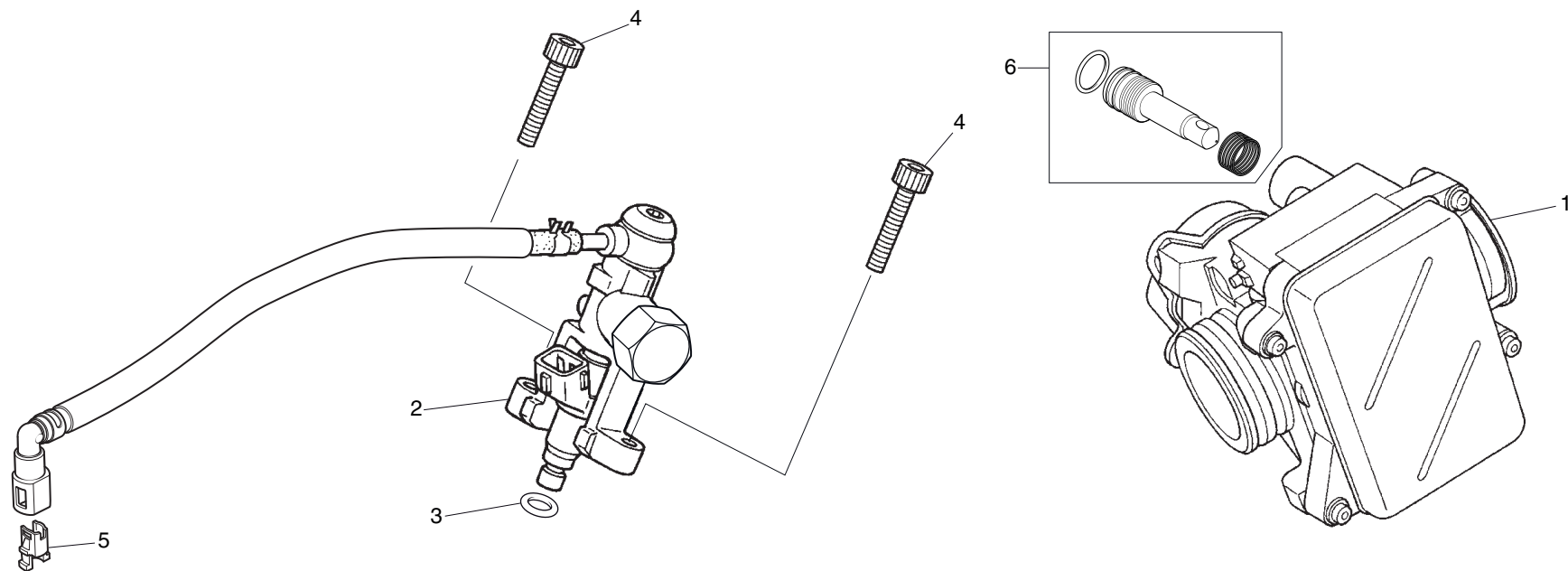
* INCLUDES: Engine removal and installation

Block No.
E-15
 Kick starter spindle



No.	Part Number	Description	Qty.	FRT	No.	Part Number	Description	Qty.	FRT
1	28210-NN4-000	PINION COMP., KICK STARTER	1	0.7					
2	28230-NN4-000	GEAR COMP., STARTER IDLE.....	1	0.6					
3	28241-KA3-710	RATCHET, STARTER	1	0.6					
4	28242-KA3-710	SPRING, RATCHET	1	—					
5	28251-NN4-000	SPINDLE, KICK START	1	0.7					
6	28261-KA3-710	SPRING, START RETURN	1	0.6					
7	28262-NN4-010	PLATE, RATCHET SLIDER.....	1	—					
8	28263-NN4-000	PLATE, KICK SPRING	1	—					
9	28282-NN4-000	COLLAR, KICK SPRING.....	1	—					
10	90452-178-000	WASHER, THRUST 17mm	1	—					
11	90501-444-000	WASHER, 16.8X24	3	—					
12	90085-MCS-000	BOLT, TORX., 6 mm	1	—					
13	94510-16000	CIRCLIP, EX, 16.....	1	—					
14	96001-06014-00	BOLT, FLANGE, 6X14.....	1	—					

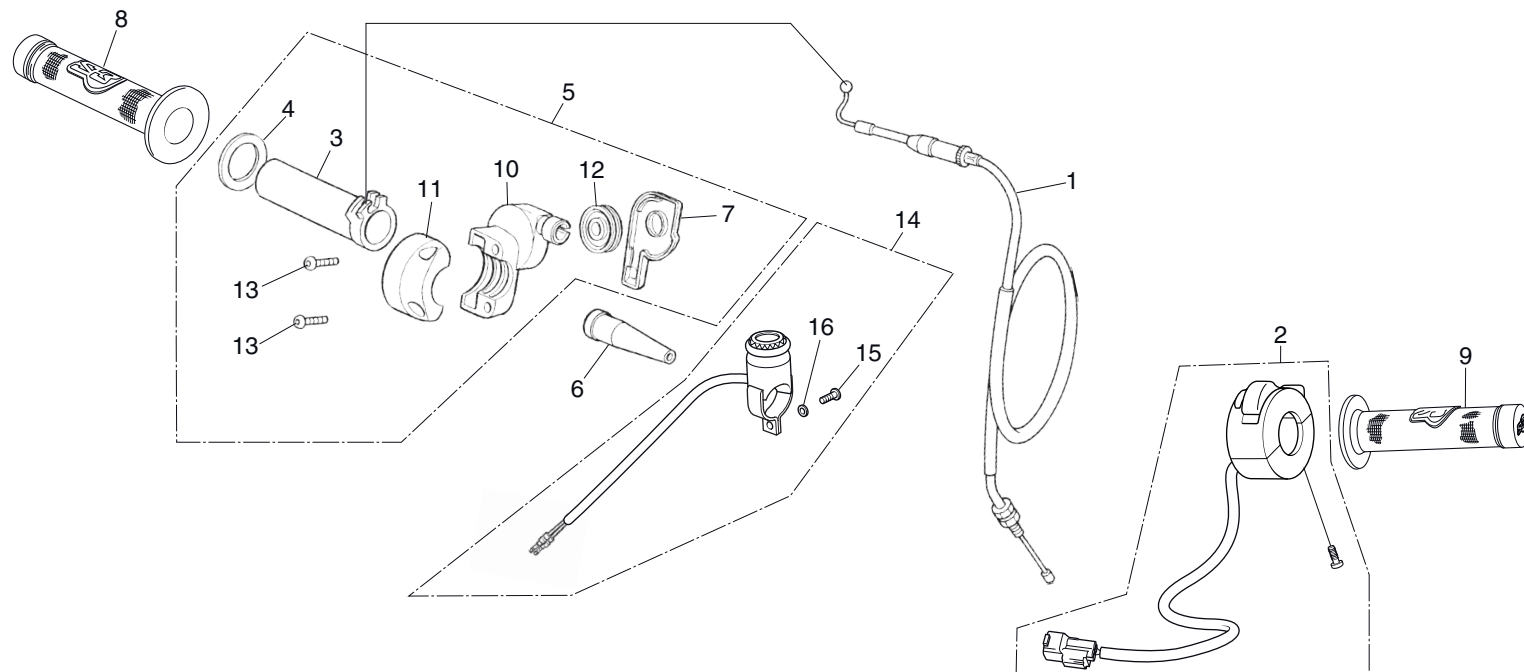
Block No.
E-16
Throttle body
Injector



FR.

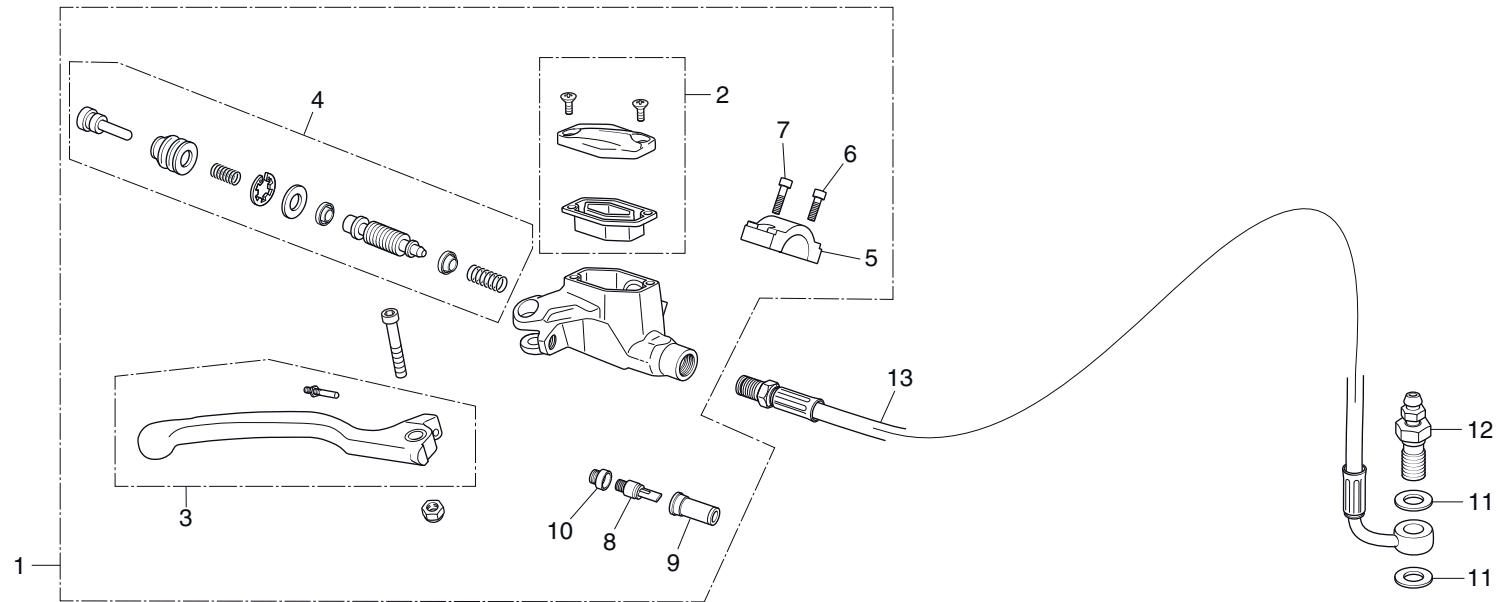
No.	Part Number	Description	Qty.	FRT	No.	Part Number	Description	Qty.	FRT
1	16400-NN4-M11	THROTTLE BODY ASSY	1	0.7					
2	16420-NN4-L10	HOLDER INJECTOR ASSY.....	1	0.8					
3	91302-MCA-000	O-RING, 7.8X1.9.....	1	—					
4	96700-06022-00	SOCKET BOLT 6X22	2	—					
5	17711-S0X-931	RETAINER.....	1	—					
6	16016-NN4-003	SCREW SET	1	—					

Block No.
F-1
 Cable
 Switch



No.	Part Number	Description	Qty.	FRT	No.	Part Number	Description	Qty.	FRT
1	17910-NN4-B01	CABLE COMP., THROT	1	0.3					
2	35150-NN4-L10	LIGHT SWITCH	1	0.2					
3	53141-NN4-000	PIPE, THROT GRIP	1	—					
4	53142-NN3-000	RING, LEAF	1	—					
5	53160-NN4-000	SUB ASSY., THROTTLE	1	0.1					
6	53161-NN3-000	COVER, THROT CABLE	1	—					
7	53163-NN2-900	COVER, THROT HOUSING	1	—					
8	53165-NN4-J10	GRIP R, HANDLE	1	0.2					
9	53166-NN4-J10	GRIP L, HANDLE	1	0.2					
10	53167-NN2-900	HOUSING UP, THROT	1	—					
11	53168-NN2-900	HOUSING LWR, THROT	1	—					
12	53169-NN2-900	PULLEY, THROT	1	—					
13	90107-NN3-000	SOCKET BOLT, 5X16	2	—					
14	35130-NN4-M10	SW ASSY., KILL	1	—					
15	93500-04012-1A	SCREW, PAN 4X12	1	—					
16	94111-04000	WASHER, SPRING 4mm	1	—					

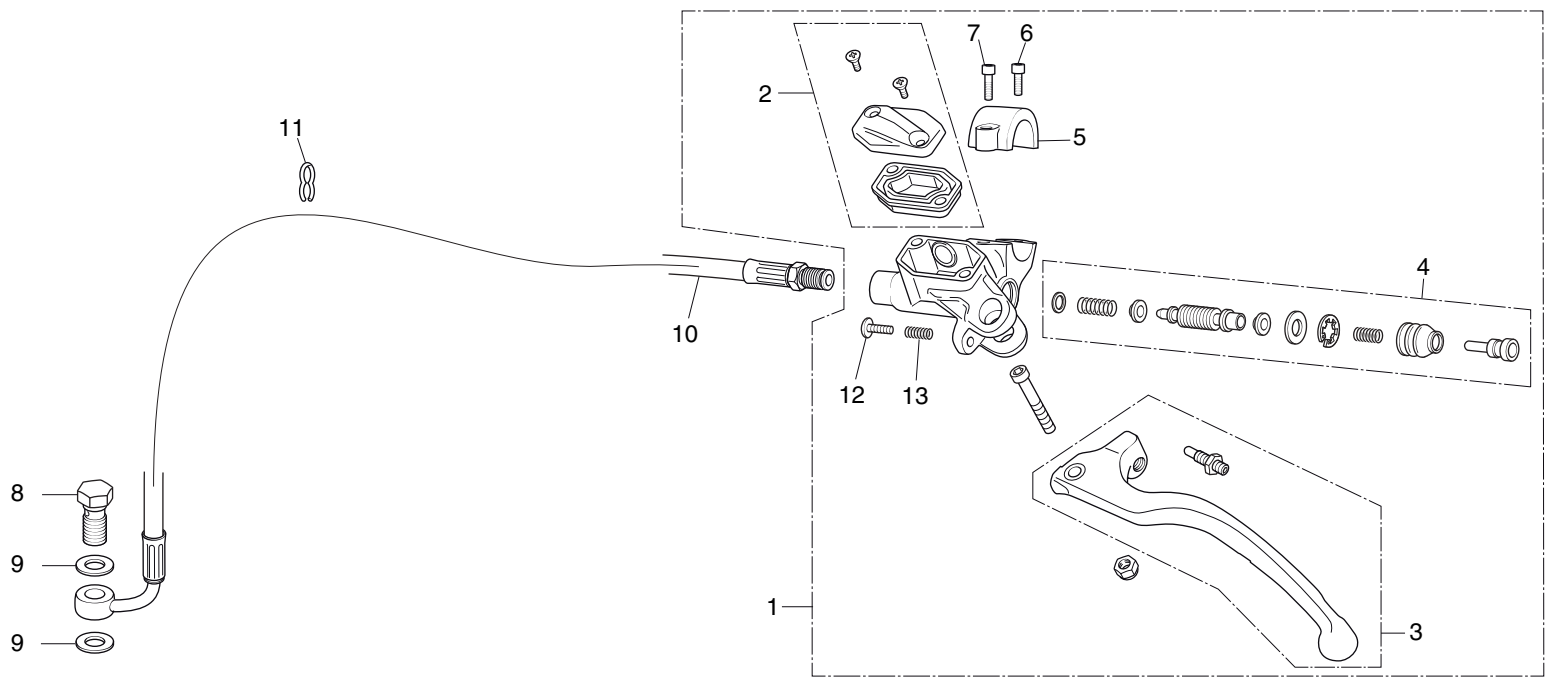
Block No.
F-2
Front brake master cylinder



No.	Part Number	Description	Qty.	FRT	No.	Part Number	Description	Qty.	FRT
1	45500-NN4-M80	M/C ASSY., FR (SW).....	1	0.4*					
2	45540-NN4-K20	TANK CAP ASSY.....	1	—					
3	53170-NN4-K20	LEVER ASSY., R. HNDL.....	1	0.1					
4	45530-NN4-J10	PISTON SET.....	1	—					
5	22882-NN4-J10	HOLDER, M/C.....	1	—					
6	90088-NN4-J10	BOLT, SOCKET 5X16.....	1	—					
7	90089-NN4-J10	BOLT, SOCKET 5X20.....	1	—					
8	35350-NN4-M80	SWITCH ASSY. FRONT CALIPER.....	1	—					
9	35351-NN4-600	RUBBER COVER.....	1	—					
10	35342-NN4-600	COLLAR, REAR BRAKE.....	1	—					
11	90548-NN4-J10	WASHER, OIL BOLT.....	2	—					
12	90005-NN4-J10	BLEEDER BOLT M8X100.....	1	—					
13	45125-NN4-L80	HOSE, FR BRAKE.....	1	0.4*					

* INCLUDES: Bleed brakes

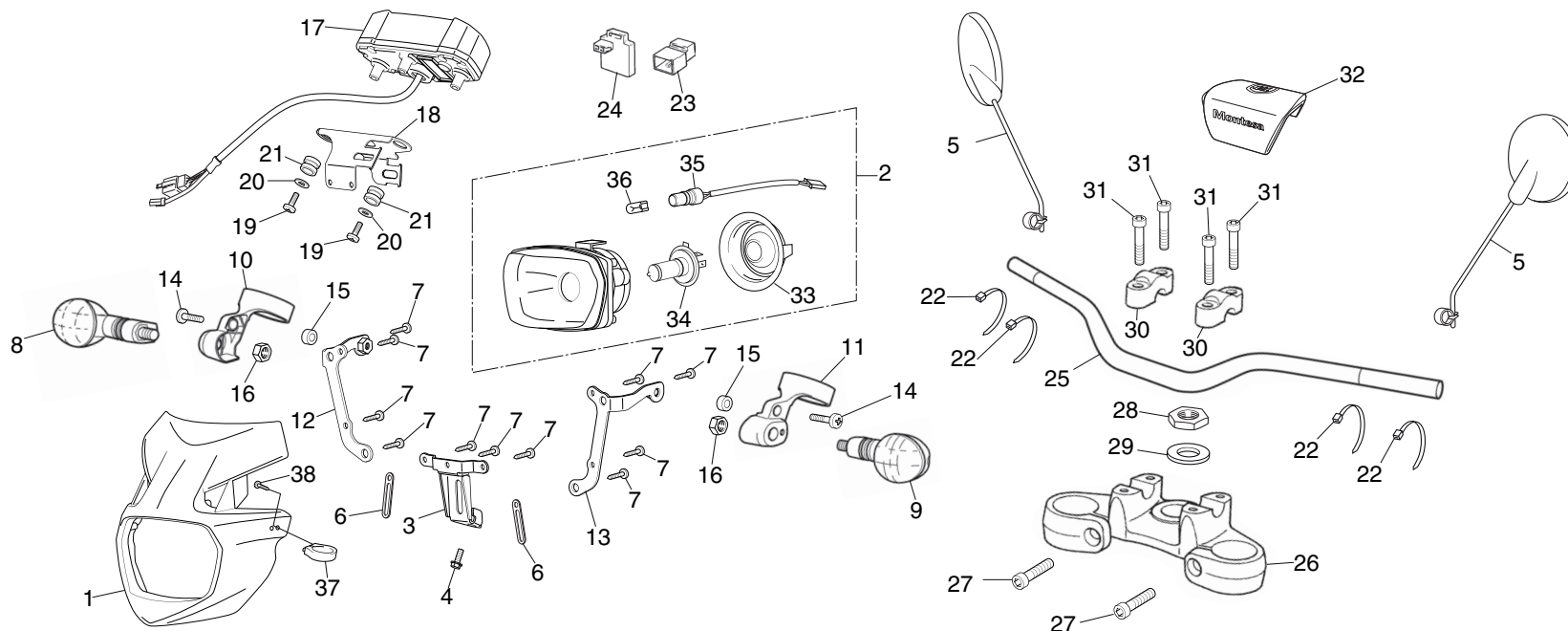
Block No.
F-3
 Clutch master cylinder



No.	Part Number	Description	Qty.	FRT	No.	Part Number	Description	Qty.	FRT
1	22880-NN4-J11	M/C ASSY, CLUTCH	1	0.4*					
2	22883-NN4-J10	TANK CAP ASSY	1	—					
3	53180-NN4-J10	LEVER ASSY	1	0.1					
4	22886-NN4-J10	PISTON SET, CLUTCH	1	—					
5	22882-NN4-J10	HOLDER, M/C	1	—					
6	90088-NN4-J10	BOLT, SOCKET 5X16.....	1	—					
7	90089-NN4-J10	BOLT, SOCKET 5X20.....	1	—					
8	90145-NN4-J10	OIL BOLT, 10X21	1	—					
9	90545-NN4-J10	WASHER, OIL BOLT	2	—					
10	22900-NN4-J11	HOSE, CLUTCH	1	0.4*					
11	90658-NN4-J10	CLIP.....	1	—					
12	53172-NN4-J30	BOLT.....	1	—					
13	53173-NN4-J30	SPRING	1	—					

* INCLUDES: Bleed brakes

Block No.
F-4
Steering handle pipe
Top bridge
Head light

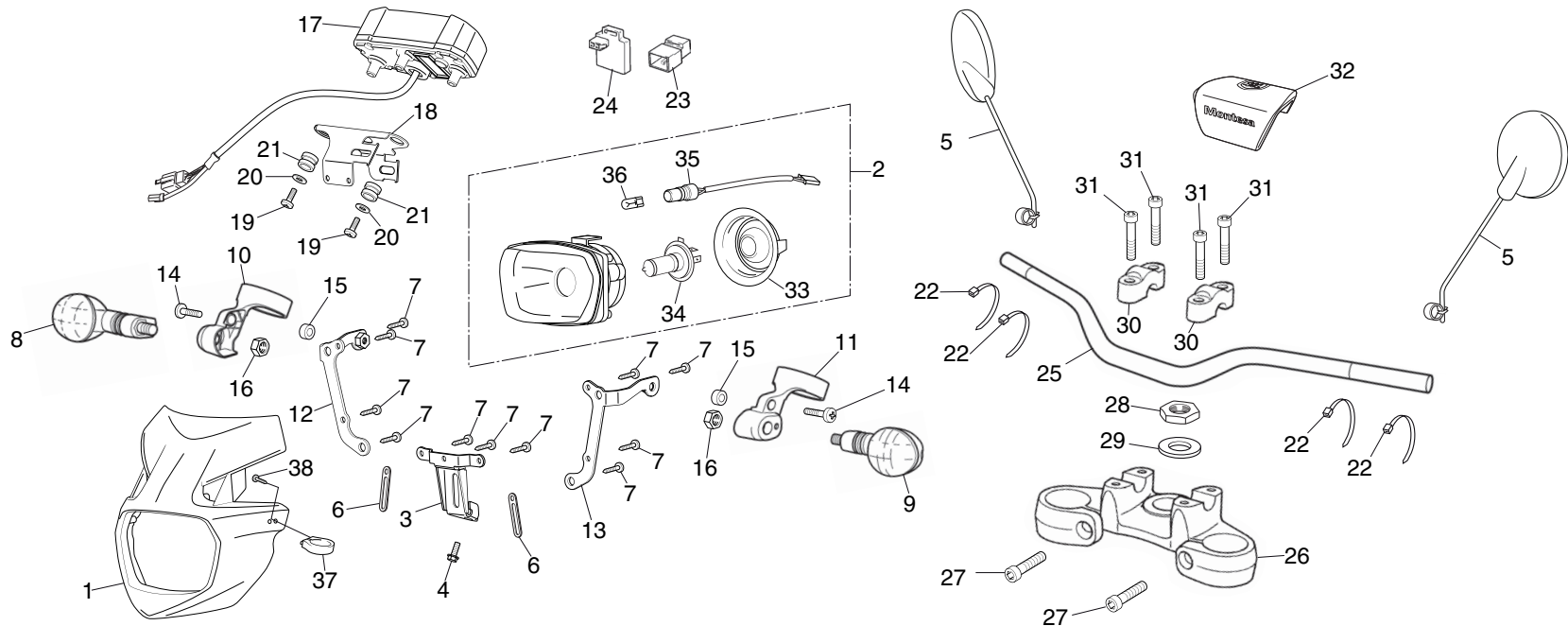


No.	Part Number	Description	Qty.	FRT	No.	Part Number	Description	Qty.	FRT
1	61310-NN4-L80	CASE H/L	1	0.2	17	37200-NN4-M10	SPEEDOMETER	1	0.2
2	33100-NN4-L80	LIGHT ASSY. HEAD	1	0.2	18	61319-NN4-L80	SPEEDOMETER STAY	1	—
3	61315-NN4-L80	HEAD CASE, BRAKE PLATE	1	—	19	93913-15280	BOLT 5x12.....	2	—
4	90106-KRN-000	BOLT, FLANGE 5X12	1	—	20	90512-NN4-L80	WASHER, 5,3x15.....	2	—
5	88100-NN4-H11	REAR VIEW MIRROR	1	—	21	64615-KR1-860	RUBBER.....	2	—
6	94591-27000	CLIP 2x70 MM	2	—	22	90602-NN4-600	TIE-BAND BLACK 150mm	4	—
7	90113-NN4-L80	BOLT 4,2X13	11	—	23	38500-GC7-612	RELAY ASW. START	1	0.2
8	33400-NN4-L80	WINKER ASSY RH FR	1	—	24	38300-NN4-G10	RELAY, ASSY. WINKER	1	0.2
9	33450-NN4-L80	WINKER ASSY LH FR	1	—	25	53100-NN4-L80	PIPE, STRIG HANDLE "S3".....	1	0.4
10	61390-NN4-C10	STAY RH H/L CASE	1	—	26	53230-NN4-K10	TOP BRIDGE FORK (BLACK).....	1	0.4
11	61391-NN4-C10	STAY LH H/L CASE	1	—	27	96600-080-2810	SOCKET BOLT 8X28	2	—
12	61313-NN4-L80	STAY RH HEAD LIGHT	1	—	28	90304-MEE-D00	NUT, TOP BRIDGE	1	—
13	61314-NN4-L80	STAY LH HEAD LIGHT	1	—	29	53215-MEE-D00	WASHER, TOP BOLT	1	—
14	90006-KTW-900	BOLT 6x18.....	2	—	30	53131-NN4-J10	HOLDER, (HANDLE PIPE) UPPER	2	—
15	90506-NN4-C10	COLLAR	2	—	31	90124-KZ4-J40	BOLT, HEX. M8X35.....	4	—
16	94050-10000	NUT FLANGE 10 MM	2	—	32	53121-NN4-J10	PAD PROTECTOR "S3".....	1	—

Block No.

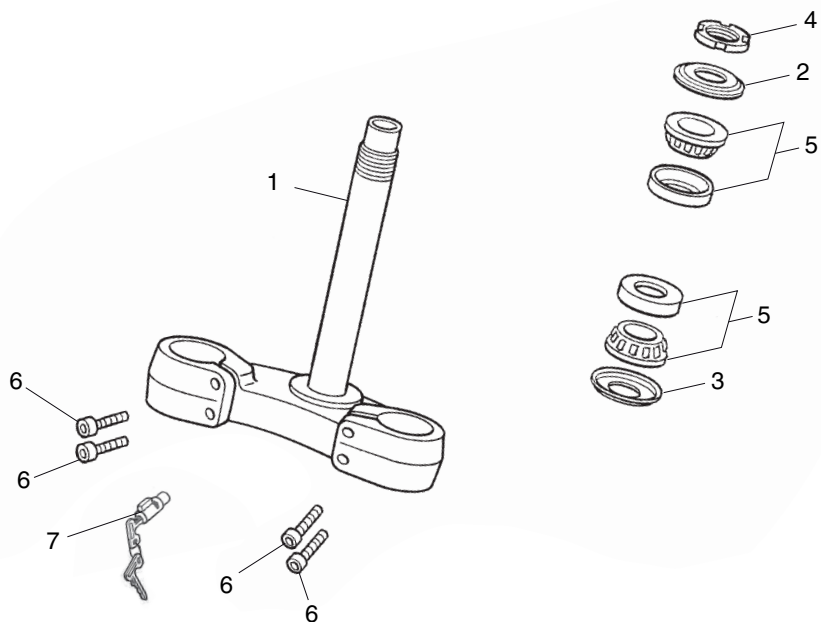
F-4

Steering handle pipe
 Top bridge
 Head light



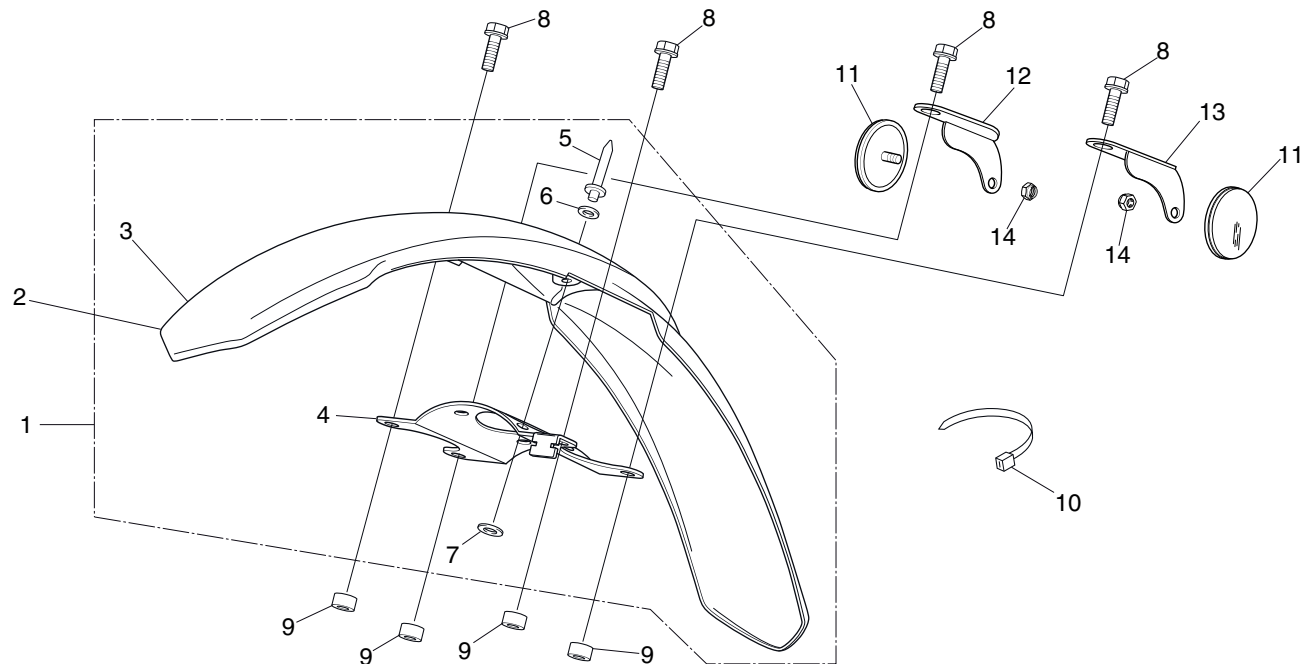
No.	Part Number	Description	Qty.	FRT	No.	Part Number	Description	Qty.	FRT
33	32807-SA0-003	COVER CUPPLER H/L	1	—					
34	34901-NN4-L80	BULB, HEAD LIGHT HS1 12V 35/35W	1	0.1					
35	33140-NN4-L80	SOCKET COMP POSITION LIGHT.....	1	0.1					
36	33141-NN4-L80	BULB, POSITION LIGHT	1	—					
37	45468-NN2-000ZA	BRAKE HOSE GUIDE (BLACK)	1	—					
38	93913-14180	SCREW 4X10	1	—					

Block No.
F-5
Steering stem



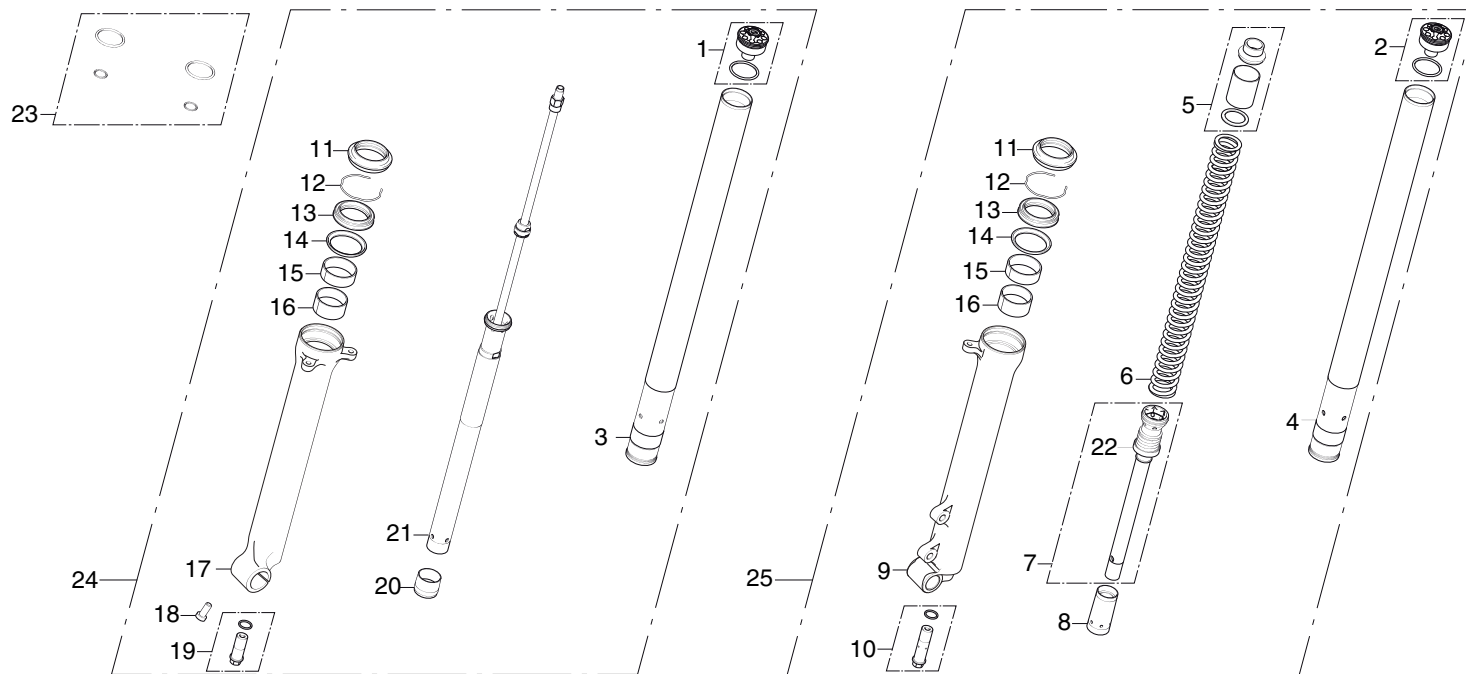
No.	Part Number	Description	Qty.	FRT	No.	Part Number	Description	Qty.	FRT
1	53200-NN4-K10	STEM COMP., STRG (BLACK)	1	1.4					
2	53214-KCY-670	DUST SEAL	1	1.2					
3	53214-KA4-701	DUST SEAL	1	—					
4	53229-NN4-G00	THREAD, STRG.....	1	1.2					
5	91015-425-831	BEARING, HEAD PIPE UP.....	2	1.6					
6	96600-08025-10	SOCKET BOLT, 8X25.....	4	—					
7	53600-NN4-J10	LOCK COMP. HANDLE	1	—					

Block No.
F-6
 Front fender



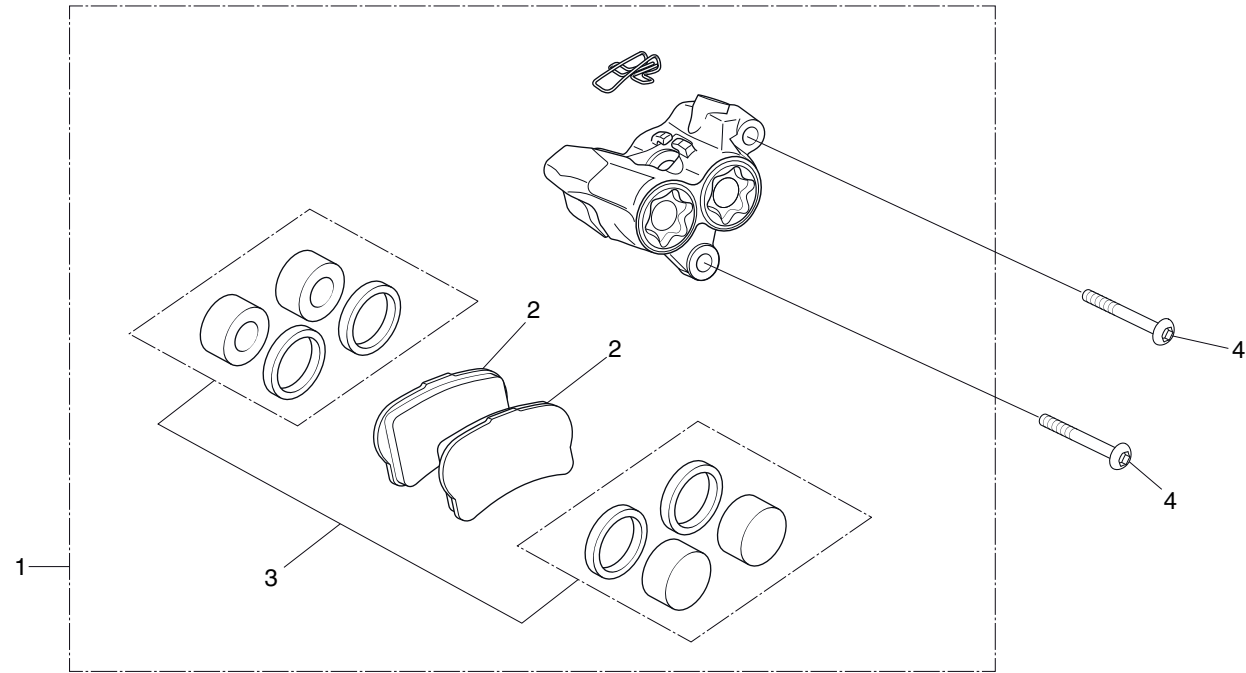
No.	Part Number	Description	Qty.	FRT	No.	Part Number	Description	Qty.	FRT
1	61100-NN4-L80	FENDER COMP., FR (RED)	1	0.1					
2	61101-NN4-L80	FRONT FENDER (RED) WITHOUT DECALS	1	—					
3	61050-NN4-L80	FRONT FENDER WITH DECALS.....	1	—					
4	61105-NN4-J10	STRAY, FRONT FENDER.....	1	0.2					
5	90851-NN4-B00	RIVET 4,8 x 14 mm.....	4	—					
6	94101-05000	WASHER, PLAIN 5 mm	4	—					
7	61102-NN3-820	SPECIAL WASHER.....	4	—					
8	96001-0602200	BOLT, FLANGE 6X22	4	—					
9	61108-NN4-L80	COLLAR 8mm	4	—					
10	90602-NN4-600	TIE-BAND BLACK 150mm	1	—					
11	33741-NN4-M11	REFLEX REFLECTOR.....	2	—					
12	33742-NN4-M10	STAY RH REFLECTOR	1	—					
13	33743-NN4-M10	STAY LH REFLECTOR.....	1	—					
14	90201-NN4-600	NUT M4	2	—					

Block No.
F-7
Front fork (Tech)



No.	Part Number	Description	Qty.	FRT	No.	Part Number	Description	Qty.	FRT
1	51450-NN4-J11	GROUP TOP CAP EXTENSION.....	1	—	17	51420-NN4-J11	CASE, RH. BOTTOM.....	1	0.6
2	51550-NN4-J11	GROUP TOP CAP PRELOAD SPRING	1	—	18	90116-NN4-J11	BOLT, SOCKET, 8mm.....	1	—
3	51410-NN4-L80	PIPE COMP., RH. FR FROK	1	0.6	19	51441-NN4-J11	GROUP LOCK SCREW HYDRAULIC PUMP	1	—
4	51510-NN4-L80	PIPE COMP., LH. FR FROK.....	1	0.6	20	51421-NN4-J11	PLATE, CENTERING.....	1	—
5	51502-NN4-L80	GROUP SPACERS SPRING.....	1	0.6	21	51430-NN4-L80	DAMPER COMP., RH. FR.....	1	0.5
6	51501-NN4-L80	FORK SPRING.....	1	0.6	22	51437-NN4-J11	RING, PISTON.....	1	—
7	51530-NN4-L80	CYLINDER COMP., FR	1	0.6	23	51458-NN4-J11	GROUP RINGS SEAL.....	1	—
8	51531-NN4-J11	CONE LIMIT LEFT.....	1	0.6	24	51400-NN4-L80	FORK ASSY., RH. FR.....	1	0.4
9	51520-NN4-J11	CASE, LH. BOTTOM	1	0.6	25	51500-NN4-L80	FORK ASSY., LH. FR.....	1	0.4
10	51541-NN4-J11	NEEDLE REGULATION GROUP.....	1	—					
11	51422-NN4-L10	SEAL, DUST	2	0.6					
12	51447-NN4-J11	RING, OIL SEAL STOP	2	—					
13	51425-NN4-J11	SEAL, OIL	2	0.6					
14	51412-NN4-J11	RING STOP BUSHING OIL SEAL.....	2	—					
15	51415-NN4-J11	BUSH.....	2	—					
16	51414-NN4-J11	BUSH.....	2	—					

Block No.
F-8
 Front brake caliper

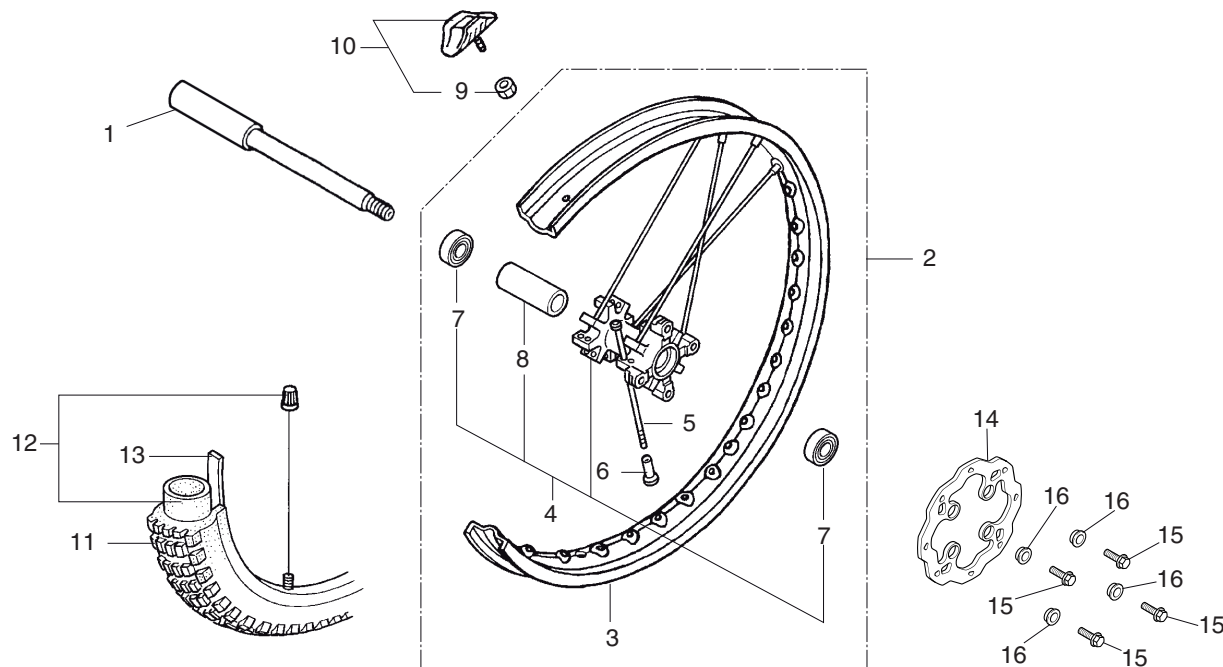


FR.

No.	Part Number	Description	Qty.	FRT	No.	Part Number	Description	Qty.	FRT
1	45100-NN4-L80	CALIPER ASSY., FR	1	0.4*					
2	45105-NN4-L80	PAD COMP., FR.....	2	0.1					
3	45120-NN4-K20	PISTON SET, FR CALIPER.....	1	0.5*					
4	90128-KL4-000	BOLT, SOCKET 8X27.....	2	—					

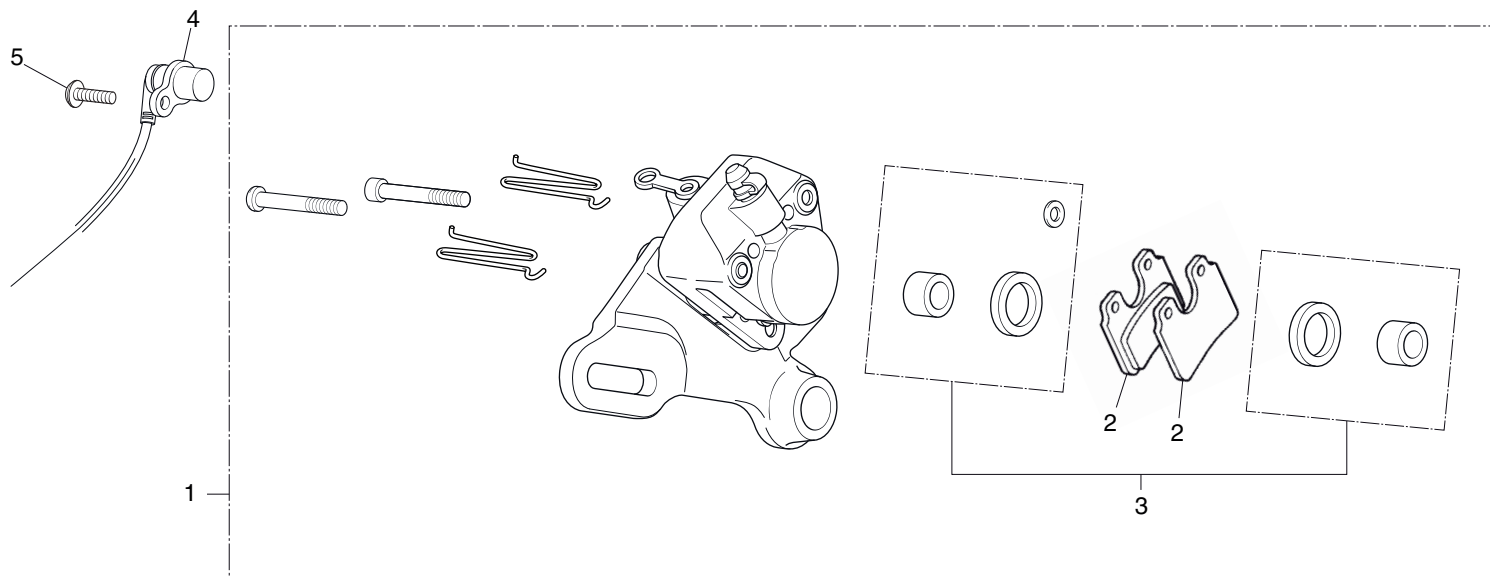
* INCLUDES: Bleed brakes

Block No.
F-9
Front wheel



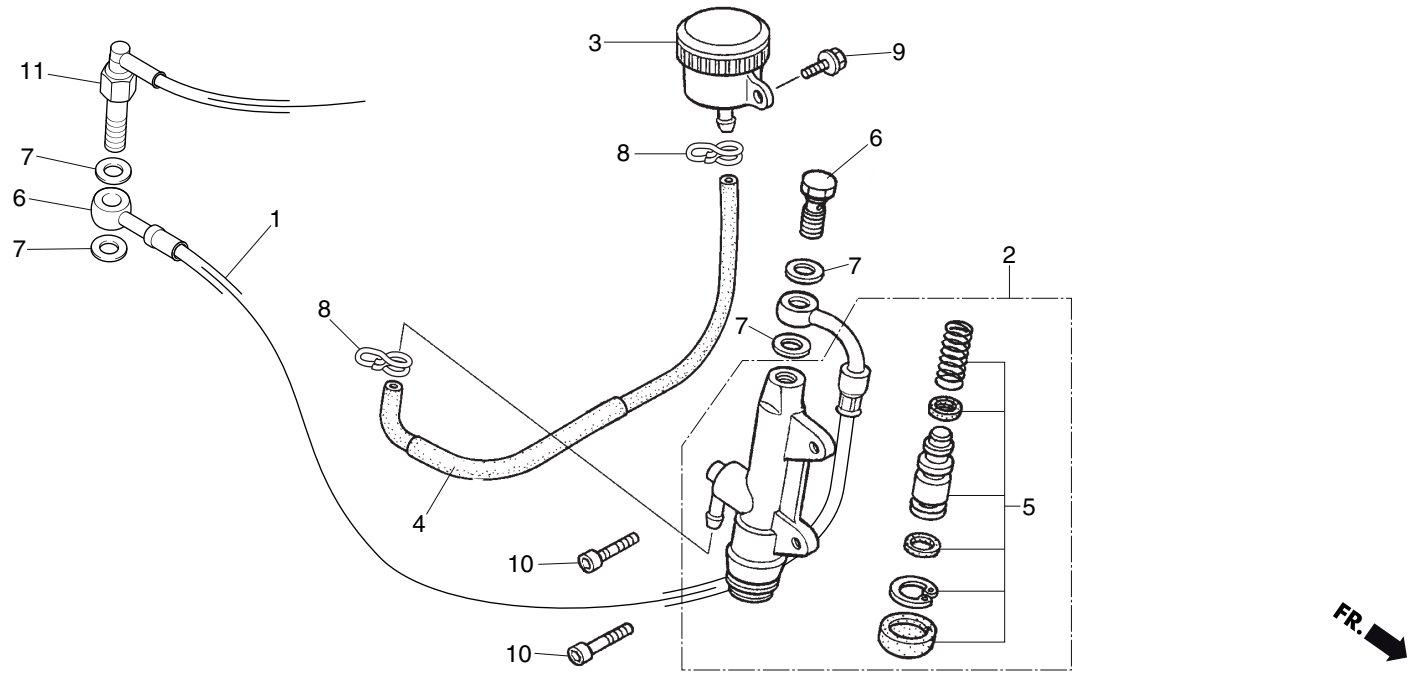
No.	Part Number	Description	Qty.	FRT	No.	Part Number	Description	Qty.	FRT
1	44301-NN4-J10	AXLE, FR WHEEL	1	0.1					
2	44650-NN4-J10	RIM ASSY., FR.....	1	0.9					
3	44701-NN4-J10	RIM, FR WHEEL	1	2.3					
4	44602-NN4-J10	RED HUB ASSY., FR WHEEL	1	2.4					
5	44603-NN4-J10	SPOKE, FR	32	2.4					
6	44608-NN4-J10	NIPPLE, SPOKE	32	2.4					
7	96150-60040-10	BEARING, BALL RADIAL 6004	2	0.3					
8	44620-NN4-J10	COLLAR, FR WHEEL DIST.....	1	—					
9	44708-NN4-J10	NUT, M8 W/WASHER.....	1	—					
10	44715-NN4-J10	STOPPER, 1.60 BEAD.....	1	—					
11	----	TIRE, FRONT (NOT SALE).....	1	0.8					
12	----	TUBE (NOT SALE).....	1	0.8					
13	44712-400-004	RIM, BAND	1	—					
14	45351-NN4-L80	DISK, FR BRAKE	1	0.4					
15	90105-NN4-D00	BOLT, BRK DISK 6X18	4	—					
16	45352-NN4-000	COLLAR, FR DISK.....	4	—					

Block No.
F-10
 Rear brake caliper



No.	Part Number	Description	Qty.	FRT	No.	Part Number	Description	Qty.	FRT
1	43100-NN4-L80	CALIPER ASSY., RR	1	0.5					
2	43105-NN4-L80	PAD COMP., RR.....	2	0.1					
3	43120-NN4-L80	PISTON SET, RR CALIPER.....	1	0.5					
4	44800-NN4-J10	SPEED SENSOR	1	0.2					
5	90135-MGE-640	BOLT M6X20	1	—					

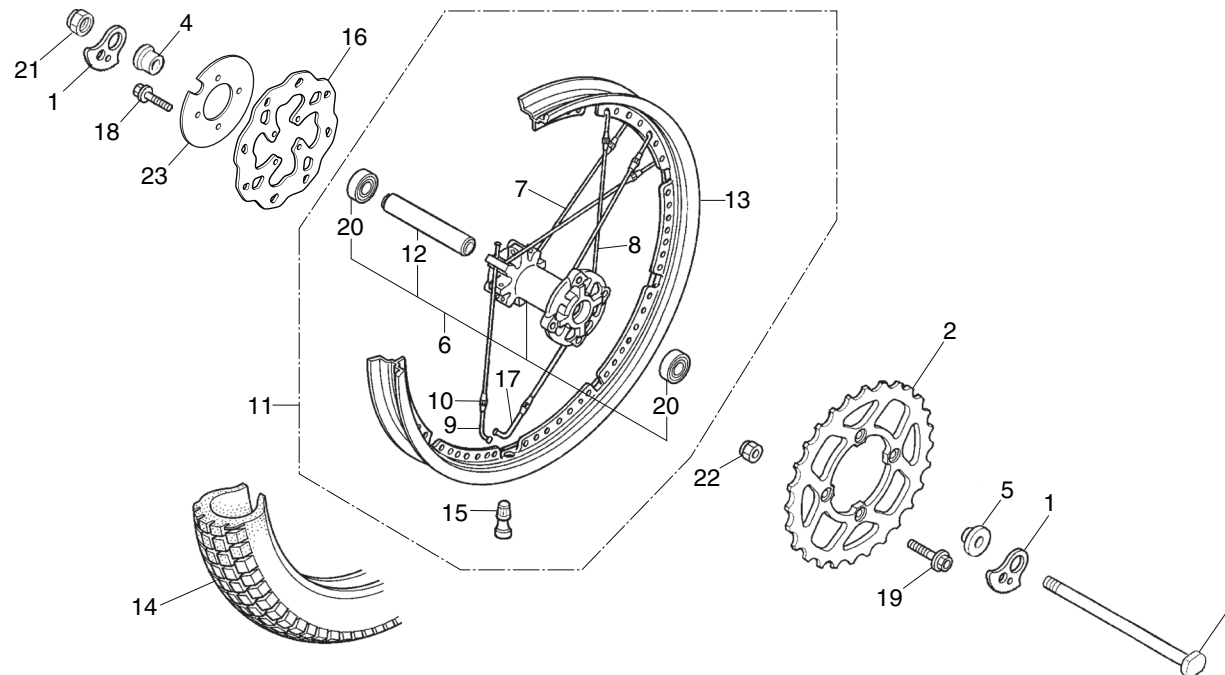
Block No.
F-11
Rear brake master cylinder



No.	Part Number	Description	Qty.	FRT	No.	Part Number	Description	Qty.	FRT
1	43310-NN4-L80	HOSE, RR BRAKE	1	0.4*					
2	43500-NN4-K11	M/C ASSY., REAR	1	0.5*					
3	43510-NN2-900	TANK ASSY., RESERVE.....	1	0.2					
4	43511-NN4-000	TUBE COMP., RR M/C	1	0.3					
5	43520-NN4-K10	PISTON SET, RR M/C.....	1	0.5*					
6	90145-NN4-J10	OIL BOLT, 10X21	1	—					
7	90545-NN4-J10	WASHER, OIL BOLT	4	—					
8	95002-NN4-J10	CLAMP, D8.5 TUBE	2	—					
9	96001-0601200	BOLT, FLANGE SH 6X12	1	—					
10	96600-06022-00	SOCKET BOLT, 6X22.....	2	—					
11	35350-NN4-L80	SWITCH PRESSURE RR BRAKE	1	0.2					

* INCLUDES: Bleed brakes

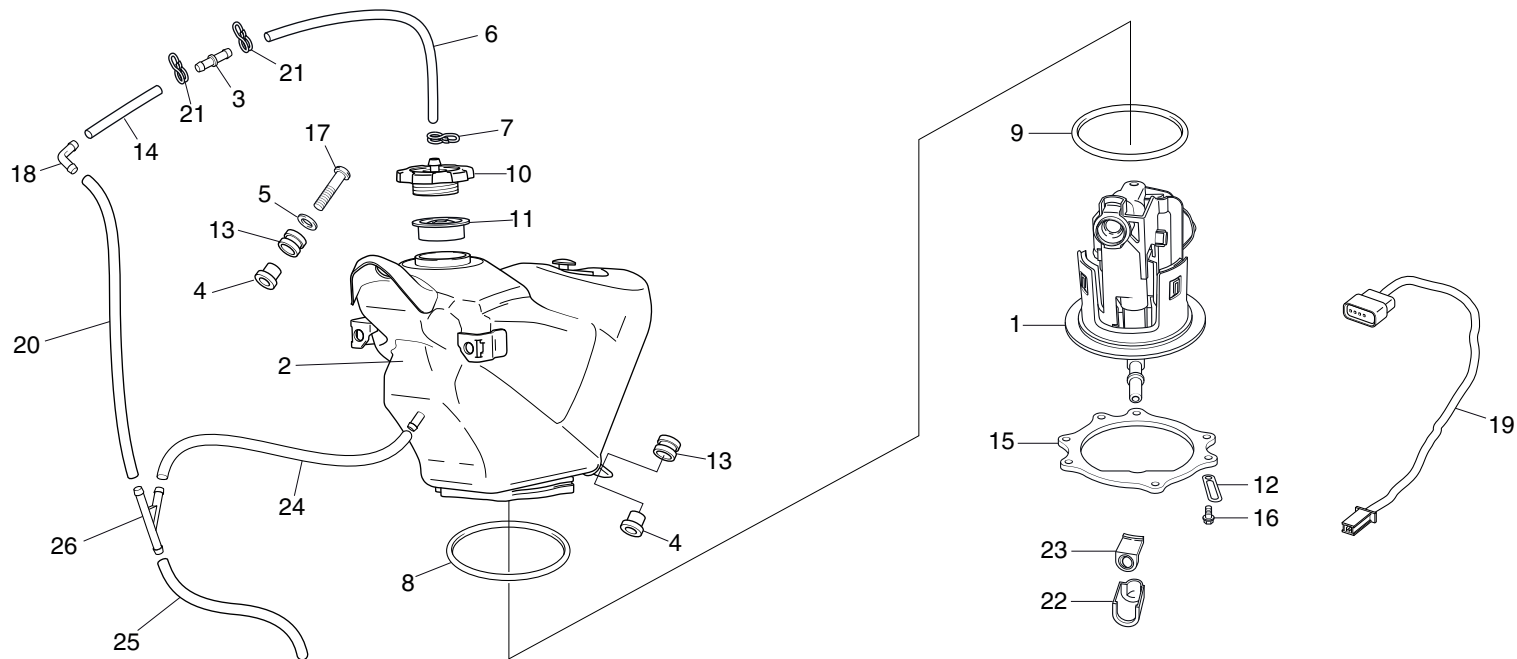
Block No.
F-12
 Rear wheel



FR.

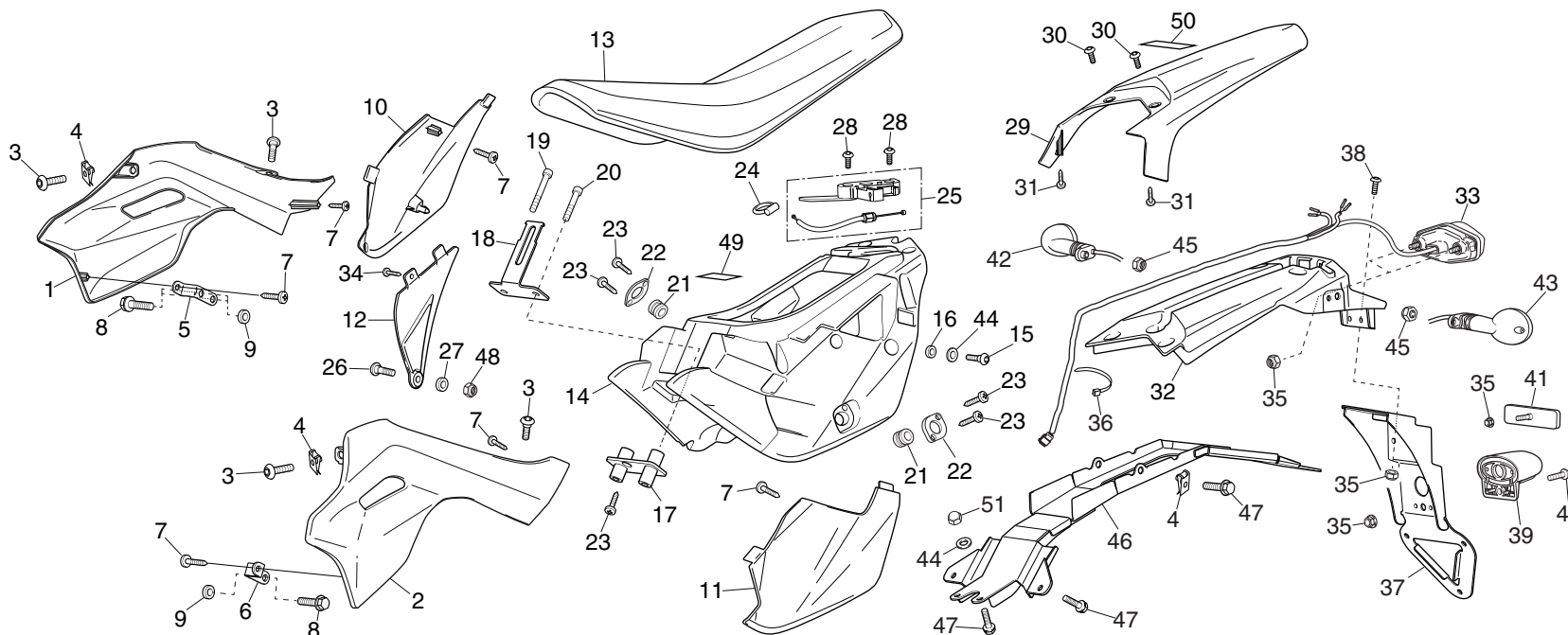
No.	Part Number	Description	Qty.	FRT	No.	Part Number	Description	Qty.	FRT
1	40544-NN4-C00	ADJUSTER, CHAIN	2	—	17	42606-NN4-J10	SPOKE S, L, RR WHEEL	16	2.5
2	41201-NN4-J30	SPRKT 41T, FINAL DRIVEN	1	0.2	18	90105-NN4-D00	BOLT, BRK DISK 6X18	4	—
3	42301-NN3-000	AXLE, RR WHEEL.....	1	0.1	19	90125-NN4-J10	BOLT, SH DR 8X22	4	—
4	42311-NN4-H00	COLLAR RH., RR WHEEL	1	—	20	96150-60040-10	BEARING, BALL RADIAL 6004	2	0.5
5	42312-NN4-H00	COLLAR LH., RR WHEEL.....	1	—	21	90305-NN2-900	NUT, AXLE.....	1	—
6	42602-NN4-J10	HUB ASSY., WHEEL (RED).....	1	2.5	22	90309-NN4-J10	NUT, U 8mm	4	—
7	42603-NN4-J10	SPOKE RH., RR WHEEL	16	2.5	23	42515-NN4-J10	SPEED SENSOR PULSER	1	0.4
8	42604-NN4-J10	SPOKE LH., RR WHEEL	16	2.5					
9	42605-NN4-J10	SPOKE S, RR WHEEL (RIGHT)	16	2.5					
10	42607-NN4-J10	NIPPLE, RR WHEEL	32	2.5					
11	42650-NN4-J10	RIM ASSY., RR	1	1.0					
12	42620-NN4-H00	COLLAR, RR WHEEL DIST	1	—					
13	42701-NN4-J10	RIM, RR WHEEL	1	2.4					
14	----	TIRE, RR (NOT SALE).....	1	0.9					
15	42753-NN4-J10	VALVE, RIM TR412	1	—					
16	43121-NN4-L80	DISK, RR BRAKE.....	1	0.4					

Block No.
F-13
Fuel tank
Fuel pump



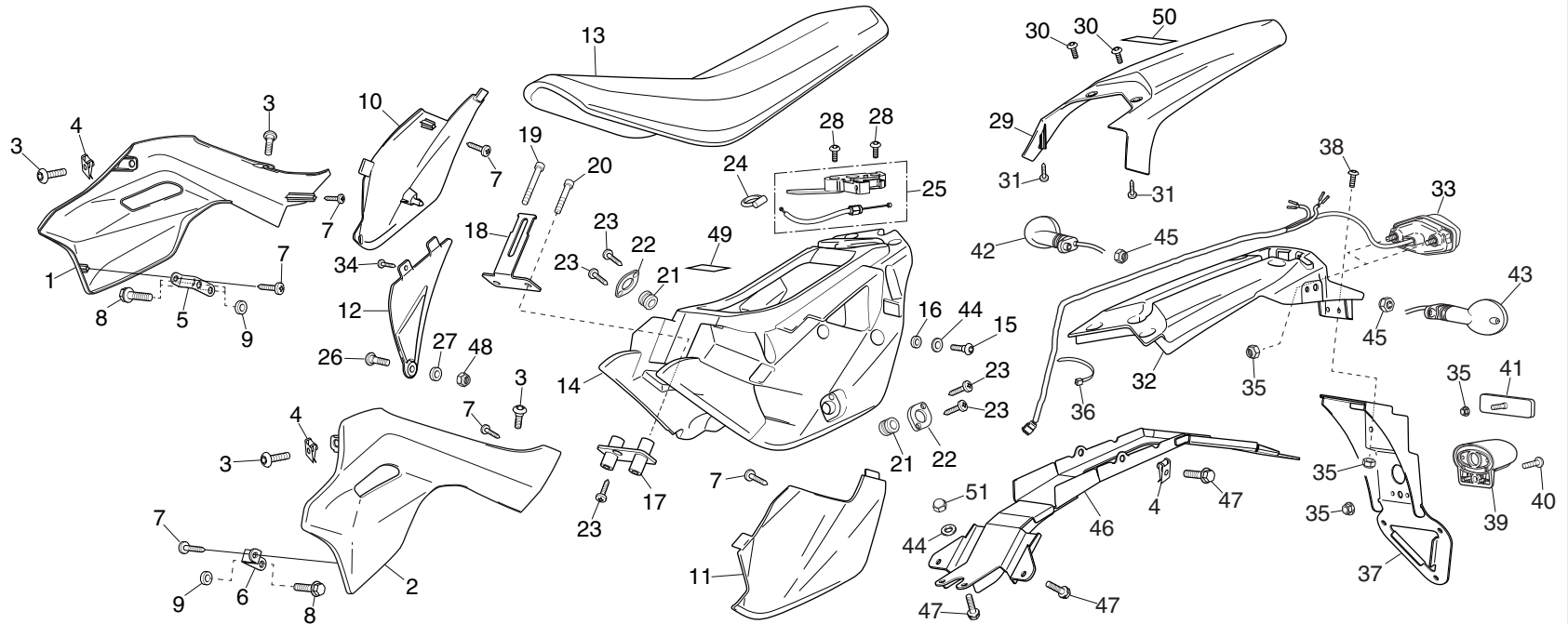
No.	Part Number	Description	Qty.	FRT	No.	Part Number	Description	Qty.	FRT
1	16700-NX7-003	UNIT ASSY., FUEL PUMP	1	0.5	17	90115-NN4-000	BOLT, SPL, 6X27	1	-
2	17510-NN4-M80	SET, FUEL TANK	1	0.4	18	19114-NN4-600	JOINT 2 WAY	1	-
3	17625-NF4-003	VALVE	1	-	19	32103-NN4-L10	SUB HARNESS FUEL PUMP	1	-
4	61104-357-000	COLLAR, FR FENDER.....	2	-	20	17521-NN4-M10	DRAIN TUBE A	1	-
5	90501-NN4-G00	WASHER 6 mm	1	-	21	95002-02100	CLIP B10	2	-
6	17523-NN4-G00	TUBE, FUEL CAP BREATHER.....	1	-	22	17575-MEN -A30	COVER, FUEL CONNECTOR	1	-
7	95002-02129	CLIP B12	1	-	23	17576-MEN -A30	RUBBER, FUEL CONNECTOR.....	1	-
8	16712-MEN -A30	O-RING 2,4X88,4.....	1	0.5	24	17524-NN4-M10	DRAIN TUBE B.....	1	-
9	16711-MEN-A30	O-RING 3,7X73,9.....	1	0.5	25	17522-NN4-M10	DRAIN TUBE C.....	1	-
10	17621-NN4-M10	FUEL CAP	1	-	26	16180-ML6-671	3 WAY JOINT	1	-
11	17624-NN4-M10	PACKING, FUEL CAP.....	1	-					
12	90106-KJ6-740	CLIP TUBE	1	-					
13	64615-KR1-860	RUBBER, LWR COWL MOUNT.....	2	-					
14	95005-55035-20	TUBE 5,3 x 35	1	-					
15	17519-NN4-L10	PLATE,FUEL PUMP.....	1	-					
16	90106-KRN-000	BOLT,FLANGE 5X12	7	-					

Block No.
F-14
 Side covers
 Rear fender
 Seat



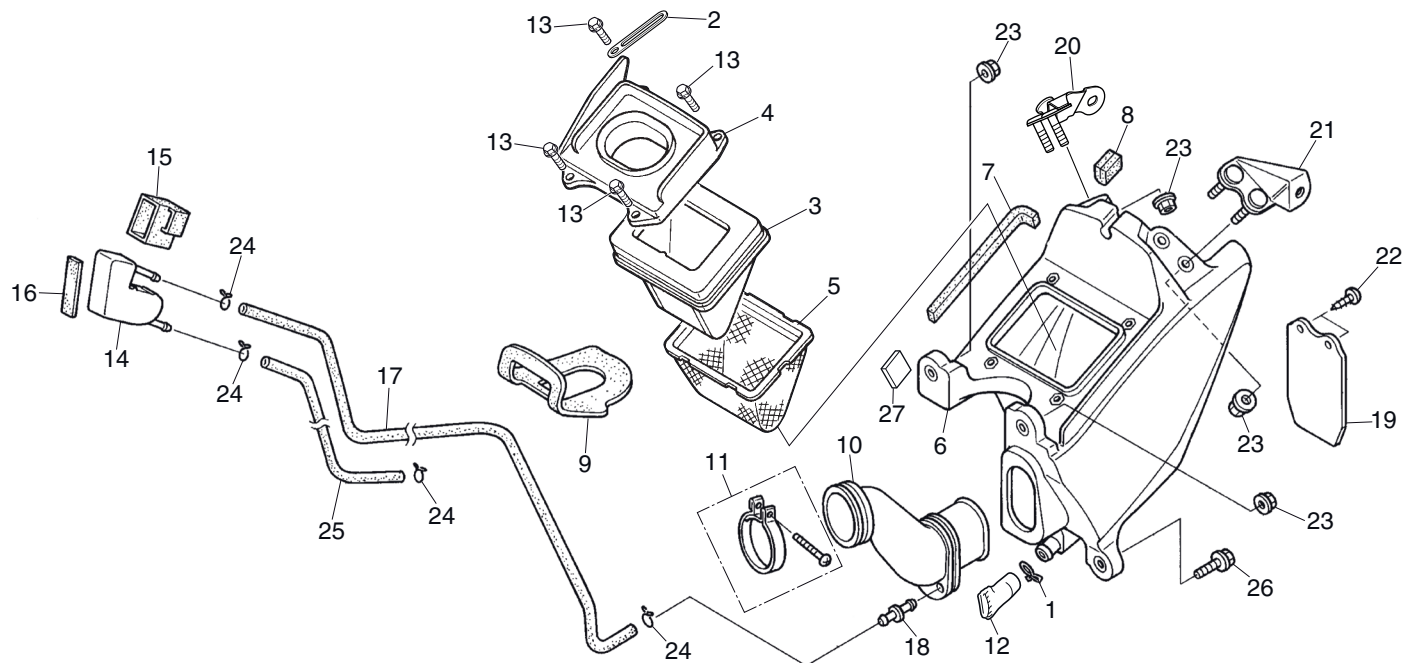
No.	Part Number	Description	Qty.	FRT	No.	Part Number	Description	Qty.	FRT
1	64211-NN4-L80	COWL FR R SIDE.....	1	0.1	17	77122-NN4-L80	FR.FIXING UPPER PLATE.....	1	—
2	64212-NN4-L80	COWL FR L SIDE.....	1	0.1	18	77112-NN4-L80	FR.FIXING UPPER PLATE.....	1	—
3	90106-KY2-700	SCREW PAN 6X11.....	4	—	19	96001-06070-00	SOCKET BOLT 6X70.....	1	—
4	90344-VP7-000	NUT SPRING.....	2	—	20	96001-06050-00	SOCKET BOLT 6X50.....	1	—
5	64207-NN4-M80	STAY R COWL.....	1	—	21	83551-GE2-000	RUBBER COVER SIDE.....	2	—
6	64208-NN4-M80	STAY L COWL.....	1	—	22	77116-NN4-L80	PLATE COVER SIDE.....	2	—
7	90113-NN4-L80	SCREW 4,2X13.....	6	—	23	93913-15280	SCREW TAPPING 5X12.....	5	—
8	90110-MBL-610	BOLT FLANGE DR 8X25.....	4	—	24	77222-NN4-L80	ANILLA TIRADOR.....	1	—
9	64209-NN4-L80	COLLAR STAY COWL.....	4	—	25	77220-NN4-L80	HOOK SEAT CATCH.....	1	0.1
10	64311-NN4-L80	COVER R SIDE.....	1	0.1	26	90106-NN4-J10	SCREW PAN 6X23.....	1	—
11	64312-NN4-L80	COVER L SIDE.....	1	0.1	27	90512-921-0100	WASHER, PLAIN 6 mm.....	1	—
12	64313-NN4-L80	COVER UNDER R SIDE.....	1	—	28	90116-NN4-L80	SCREW FLAT 6X20.....	2	—
13	77100-NN4-M80	SEAT COMP.....	1	—	29	80101-NN4-L80	REAR FENDER.....	1	0.1
14	77115-NN4-L80	BOX BASE SEAT.....	1	0.3	30	90107-NN4-J10	SCREW PAN 6X15.....	2	—
15	90004-GHB-660	BOLT FLANGE 6X22.....	2	—	31	90122-NN4-L80	SCREW 4,2X22.....	2	—
16	77119-NN4-L80	COLLAR Ø8.3X11.5.....	2	—	32	80105-NN4-L80	UNDER BRKT. NUMBER PLATE.....	1	—

Block No.
F-14
 Side covers
 Rear fender
 Seat



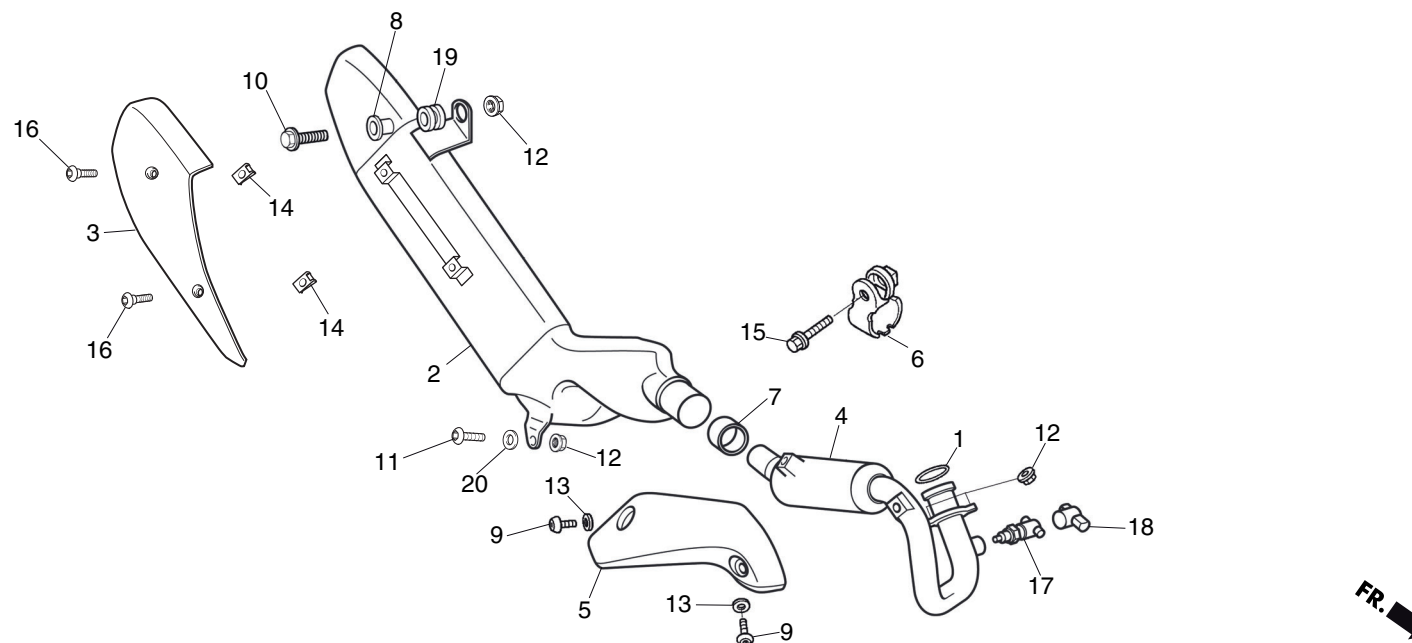
No.	Part Number	Description	Qty.	FRT	No.	Part Number	Description	Qty.	FRT
33	33700-NN4-L80	TAIL LIGHT COMP.	1	0.2	49	77123-NN4-L80	CAUTION LABEL.....	1	—
34	93913-14180	SCREW TAPPING 5X10	1	—	50	87586-NN4-L80	SAFETY REMINDER LABEL.....	1	—
35	90205-NN4-J10	NUT M5	7	—	51	94021-060700SMA	NUT, CAP	4	—
36	90602-NN4-600	TIE-BAND BLACK 150 mm	1	—					
37	80126-NN4-L80	BRACKET, NUMBER PLATE	1	—					
38	90114-NN4-L80	SCREW.....	3	—					
39	33720-NN4-L80	LIGHT ASSY LICENSE	1	0.1					
40	90112-NN4-L80	SCREW M5X12	1	—					
41	33741-KEB-6210M1	REAR REFLECTOR	1	—					
42	33600-NN4-L80	WINKER ASSY. RIGHT REAR.....	1	—					
43	33650-NN4-L80	WINKER ASSY. RIGHT LEFT.....	1	—					
44	91414-671-000	WASHER 6,4X18	4	—					
45	94050-10000	NUT	2	—					
46	80107-NN4-L80	BRACKET, REAR FENDER.....	1	0.2					
47	93404-06014-07	SCREW 6X14	6	—					
48	94050-06000	NUT, FLANGE 6 mm.....	1	—					

Block No.
F-15
 Air cleaner



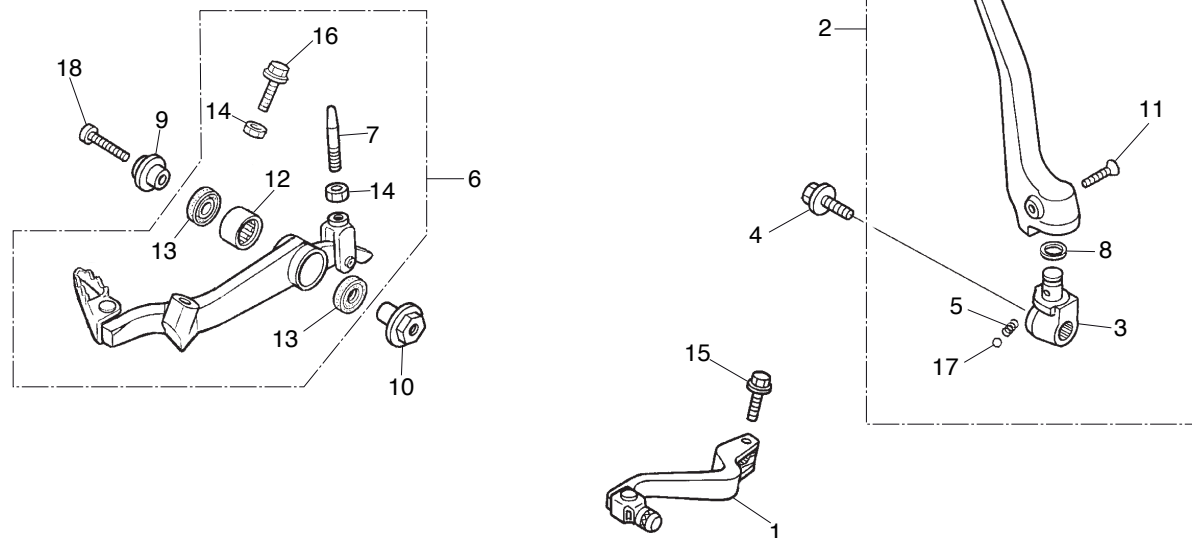
No.	Part Number	Description	Qty.	FRT	No.	Part Number	Description	Qty.	FRT
1	15707-634-000	CLIP, BREATHER TUBE.....	1	—	17	17554-NN4-000	TUBE, BREATHER A	1	—
2	91410-KT7-000	CLIP 4X60.....	1	—	18	55102-166-000	JOINT, OIL TUBE.....	1	—
3	17211-NN4-000	ELEMENT, AIR/C.....	1	0.3	19	80110-NN3-000	MUD GUARD.....	1	—
4	17212-NN4-000	CAP, AIR/C CASE.....	1	0.3	20	80111-NN4-L80	STAY R., RR FENDER.....	1	—
5	17213-NN4-000	TRAP COMP., FLAME.....	1	—	21	80112-NN4-L80	STAY L., RR FENDER	1	—
6	17230-NN4-H00	CASE COMP., AIR/C	1	0.4	22	93913-14180	SCREW, TAPPING 4X10.....	2	—
7	17231-NN4-300	SEAL A, AIR/C CASE	1	—	23	94050-06000	NUT, FLANGE 6mm.....	6	—
8	17232-NN4-300	SEAL B, AIR/C CASE	1	—	24	95002-02100	CLIP B10, TUBE.....	4	—
9	17236-NN4-L80	AIR GUARD	1	—	25	95005-55225-20	TUBE, 5.3X225	1	—
10	17253-NN4-000	TUBE, AIR/C CONN	1	—	26	95701-06025-00	BOLT, FLANGE 6X25.....	1	—
11	17255-KRJ-900	BAND, AIR/C CONNECTING TUBE	1	—	27	17234-NN4-300	SEAL C AIR/C CASE	1	—
12	17358-NN2-000	TUBE, DRAIN	1	0.1					
13	90108-GK1-000	BOLT, FLANGE SH 6X12	4	—					
14	17551-NN4-000	TANK, STORAGE.....	1	—					
15	17552-NN4-000	RUBBER, STORAGE TANK.....	1	—					
16	17553-NN4-000	CUSHION, STORAGE TANK	1	—					

Block No.
F-16
 Exhaust muffler



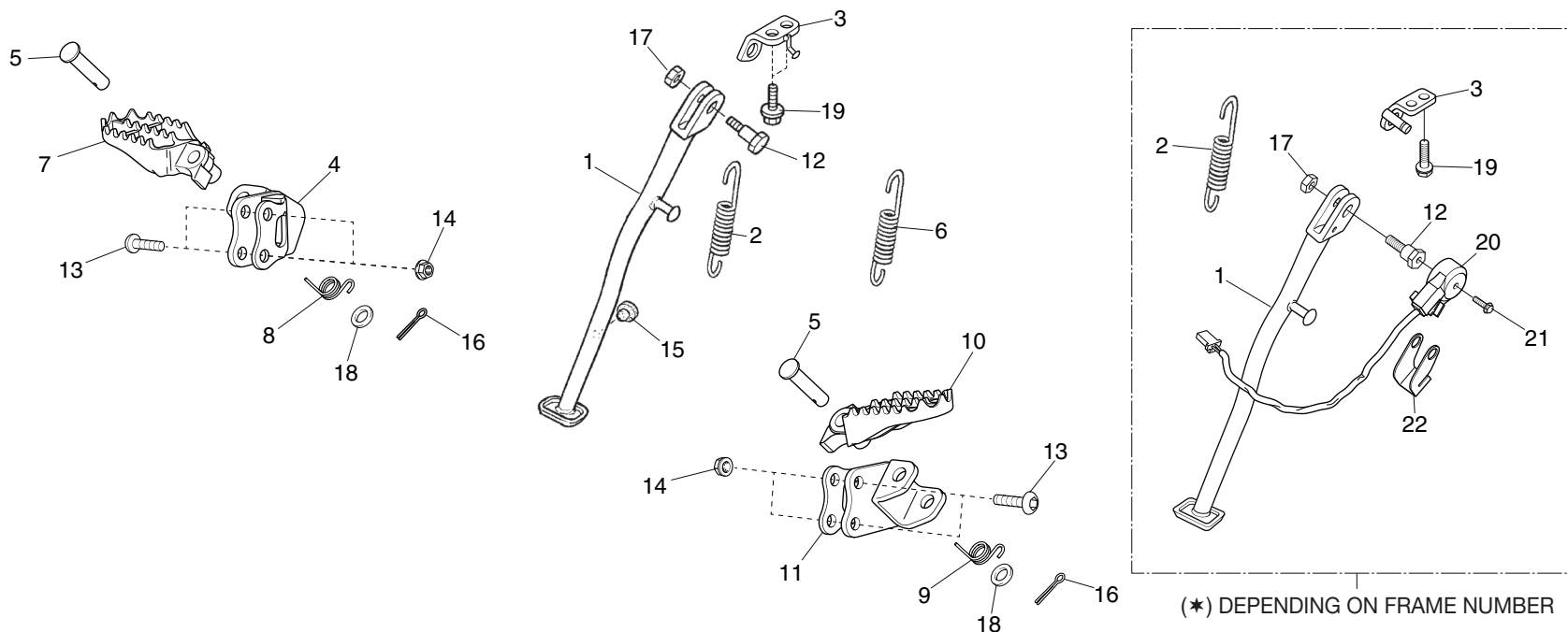
No.	Part Number	Description	Qty.	FRT	No.	Part Number	Description	Qty.	FRT
1	18291-NN4-000	GASKET, EXHAUST PIPE.....	1	0.3	17	36532-GFC-771	O2 SENSOR	1	—
2	18310-NN4-L80	SILINER COMP. EXHAUST	1	0.4	18	18383-NN4-G10	COVER O2 SENSOR	1	—
3	83510-NN4-L80	COVER RH. SIDE	1	—	19	18332-NN4-G10	RUBBER.....	1	—
4	18320-NN4-L80	EXHAUST PIPE COMP.	1	0.3	20	90512-921-0100	WASHER, PLAIN 6mm	1	—
5	18323-NN4-M10	PROTECTOR EXHAUST PIPE.....	1	—					
6	18371-KCR-000	BANC, MUFFLER	1	—					
7	18391-HB7-000	PACKING MUFFLER	1	0.4					
8	19052-MAC-680	COLLAR	2	—					
9	90108-KGB-610	BOLT 6X8	2	—					
10	90115-MAS-E00	SPECIAL BOLT 6X37.....	1	—					
11	90106-NN4-J10	SCREW PAN 6X23	1	—					
12	94050-06000	NUT, FLANGE 6mm.....	4	—					
13	94101-06000	WASHER, PLAIN 6mm	2	—					
14	90320-GE2-760	NUT SPRING.....	2	—					
15	96300-08028-00	BOLT, FLANGE DR 8X28.....	1	—					
16	90114-MCH-000	SCREW, PAN 6x15	2	—					

Block No.
F-17
 Pedal
 Kick starter arm



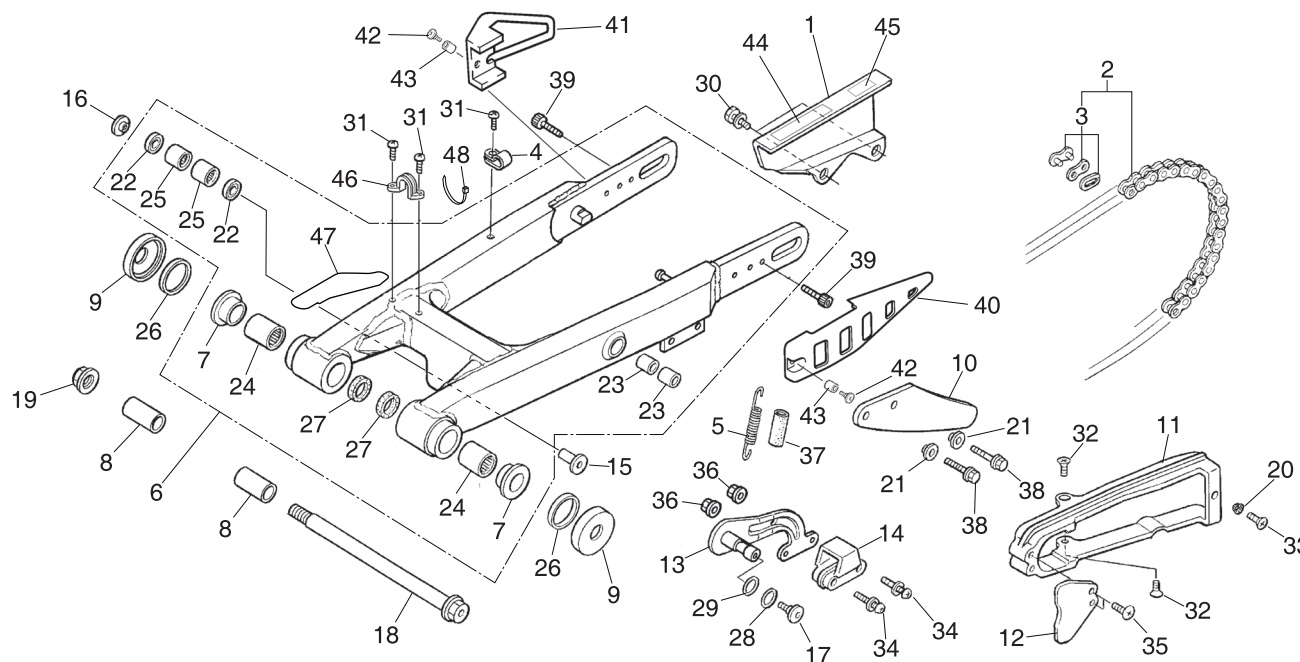
No.	Part Number	Description	Qty.	FRT	No.	Part Number	Description	Qty.	FRT
1	24700-NN4-K10	PEDAL COMP., CHANGE	1	0.1	17	96211-08000	STEEL BALL 8	1	—
2	28300-NN4-L60	ARM ASSY., KICKSTARTER	1	—	18	96700-08032-10	BOLT, SOCKET 8X32.....	1	—
3	28302-NN4-000	JOINT, KICK ARM.....	1	—					
4	28306-MEN-670	BOLT	1	—					
5	28333-KK0-000	SPRING, KICKSTARTER ARM SET	1	—					
6	46500-NN4-000	PEDAL ASSY., RR BRAKE.....	1	0.1					
7	46521-NN4-000	ROD, BRAKE	1	—					
8	46525-KK0-003	DUST SEAL 17X2.0X2.5	1	—					
9	46531-NN4-000	COLLAR A, RR BRAKE	1	—					
10	46532-NN4-000	COLLAR B, RR BRAKE	1	—					
11	90101-MAC-680	BOLT	1	0.1					
12	91001-GG2-003	BEARING, NEEDLE 12X18X12.....	1	—					
13	91201-951-003	OIL SEAL, 12X18X3.....	2	—					
14	94001-06000-0S	NUT, HEX 6mm.....	2	—					
15	96001-06022-00	BOLT, FLANGE SH 6X22	1	—					
16	96001-06025-00	BOLT, FLANGE SH 6X25	1	—					

Block No.
F-18
Stand
Step



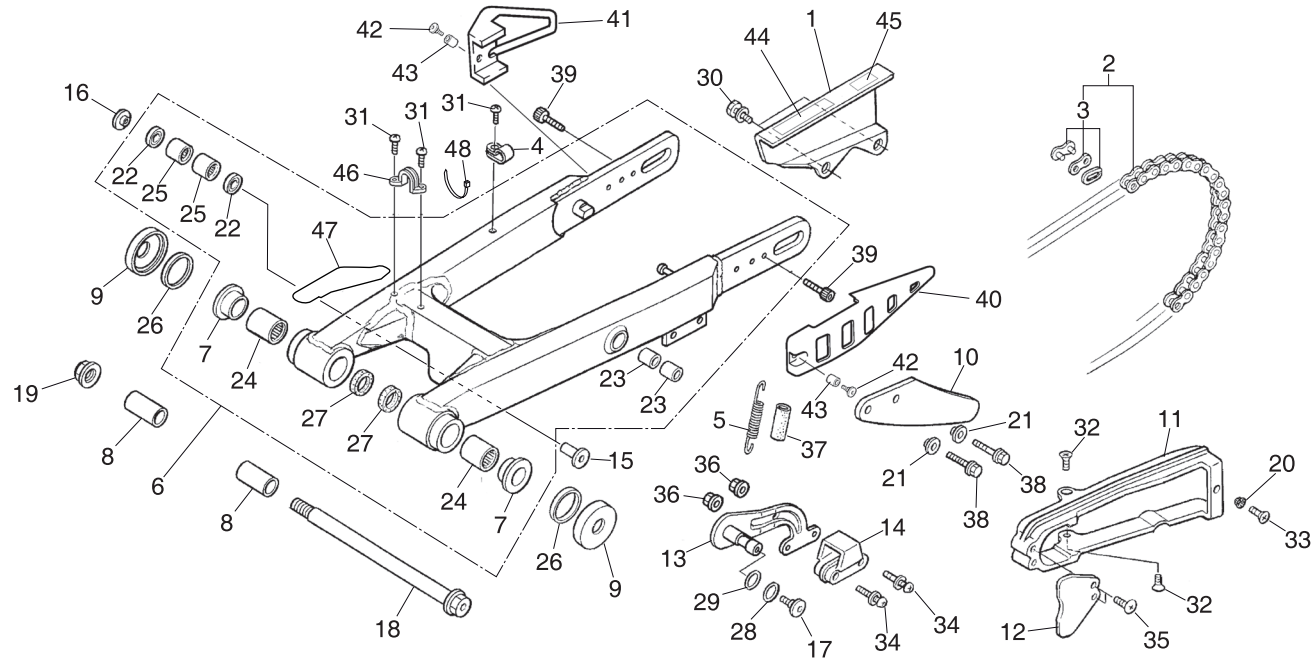
No.	Part Number	Description	Qty.	FRT	No.	Part Number	Description	Qty.	FRT
1	50530-NN4-M80	BAR COMP., SIDE STAND BLACK.....	1	0.2	14	90309-KF0-003	NUT, FLANGE 8mm.....	4	—
	50530-NN4-M81	BAR COMP., SIDE STAND BLACK (*).....	1	0.2	15	50354-428-000	STOPPER, RUBBER B.....	1	—
2	50541-MBL-610	SPRING, SIDE STAND.....	1	0.1	16	94201-25250	PIN, SPLIT 2,5x25.....	2	—
	50532-NN4-900	SPRING, SIDE STAND (*).....	1	0.1	17	90203-MF9-710	NUT, HEX 10mm.....	1	—
3	50536-NN4-M80	BRACKET, SIDE STAND.....	1	—	18	94102-08000	WASHER, PLAIN 8mm.....	2	—
	50536-NN4-M81	BRACKET, SIDE STAND (*).....	1	—	19	96300-08025-00	BOLT, FLANGE DR 8X25.....	2	—
4	50600-NN4-L80	BRKT COMP., R. STEP.....	1	—		90105-KL8-741	BOLT, FLANGE DR 8X24 (*).....	2	—
5	50603-NN4-L80	PIN, P. STEP BAR.....	2	—	20	35700-NN4-M10	SWITCH, SIDE STAND (*).....	1	—
6	50542-MBL-610	SPRING, SIDE STAND.....	1	0.1	21	90137-MGE-640	BOLT (*).....	1	—
7	50616-NN4-L80	STEP RH.....	1	0.1	22	35351-NN4-M80	STOPPER, SIDE STAND (*).....	1	—
8	50617-NN4-L80	SPRING RH., STEP RETURN.....	1	—					
9	50618-NN4-L80	SPRING LH., STEP RETURN.....	1	—					
10	50642-NN4-L80	STEP RH.....	1	0.1					
11	50700-NN4-L80	BRACKET COMP., L. STEP.....	1	—					
12	90108-MK6-670	BOLT SIDE STAND PIVOT.....	1	—					
13	90128-428-020	BOLT, SOCKET 8X33.....	4	—					

Block No.
F-19
 Swingarm



No.	Part Number	Description	Qty.	FRT	No.	Part Number	Description	Qty.	FRT
1	40510-NN3-000	CASE, DRIVE CHAIN.....	1	0.2	17	90102-GM2-000	BOLT, CHAIN TENSOR.....	1	—
2	40530-NN2-000	CHAIN, DRIVE.....	1	0.2	18	90117-NN4-000	BOLT, SWINGARM PIVOT.....	1	—
3	40531-NN2-000	JOINT, DRIVE CHAIN.....	1	0.1	19	90201-GC4-000	NUT, FLANGE 14mm.....	1	—
4	90602-NN4-C10	CLIP SPDMT. CABLE (UC-3B).....	1	—	20	90502-NN4-000	WASHER SPL.....	1	—
5	46514-KY2-700	SPRING, BRAKE PEDAL RETURN.....	1	—	21	90503-KRN-000	WASHER, FENDER SETTING.....	2	—
6	52100-NN4-L80	SWINGARM ASSY. POLISHED.....	1	1.0	22	91051-NN1-000	SEAL, BEARING 15X21X3.....	2	0.3
7	52109-KA4-701	BUSH, PIVOT THRUST.....	2	1.1	23	91052-NN0-000	BUSH, CHAIN TENSIONER.....	2	0.3
8	52141-NN2-000	COLLAR, RR FORK.....	2	1.1	24	91071-MA0-003	BEARING, PIVOT.....	2	1.1
9	52144-KA3-731	CAP, DUST SEAL.....	2	1.0	25	91071-NN1-000	BEARING, NEEDLE 15X21X12.....	2	0.3
10	52157-NN4-J10	PROTECTOR, SPRKT.....	1	0.1	26	91253-KA3-731	DUST SEAL 32X36.8X8.....	2	1.0
11	52170-NN4-000	SLIDER, CHAIN.....	1	1.0	27	91254-KS6-003	DUST SEAL 20X2.6X4.5.....	2	1.0
12	52171-NN3-000	COVER, SPRKT.....	1	0.1	28	91305-422-000	O-RING, 9.8X2.4.....	1	—
13	52181-NN4-000	TENSIONER COMP., CHAIN.....	1	0.2	29	91362-ZC3-000	O-RING, 13.8X2.4.....	1	—
14	52182-NN4-000	SLIPPER, CHAIN TENS.....	1	0.2	30	93404-06014-00	BOLT-WASH, 6X14.....	2	—
15	52463-NN3-010	COLLAR L., CUSH RINK.....	1	—	31	93500-05008-0A	SCREW, PAN 5X8.....	2	—
16	52464-NN3-010	COLLAR R., CUSH RINK.....	1	—	32	93600-05012-0G	SCREW, FLAT 5X12.....	2	—

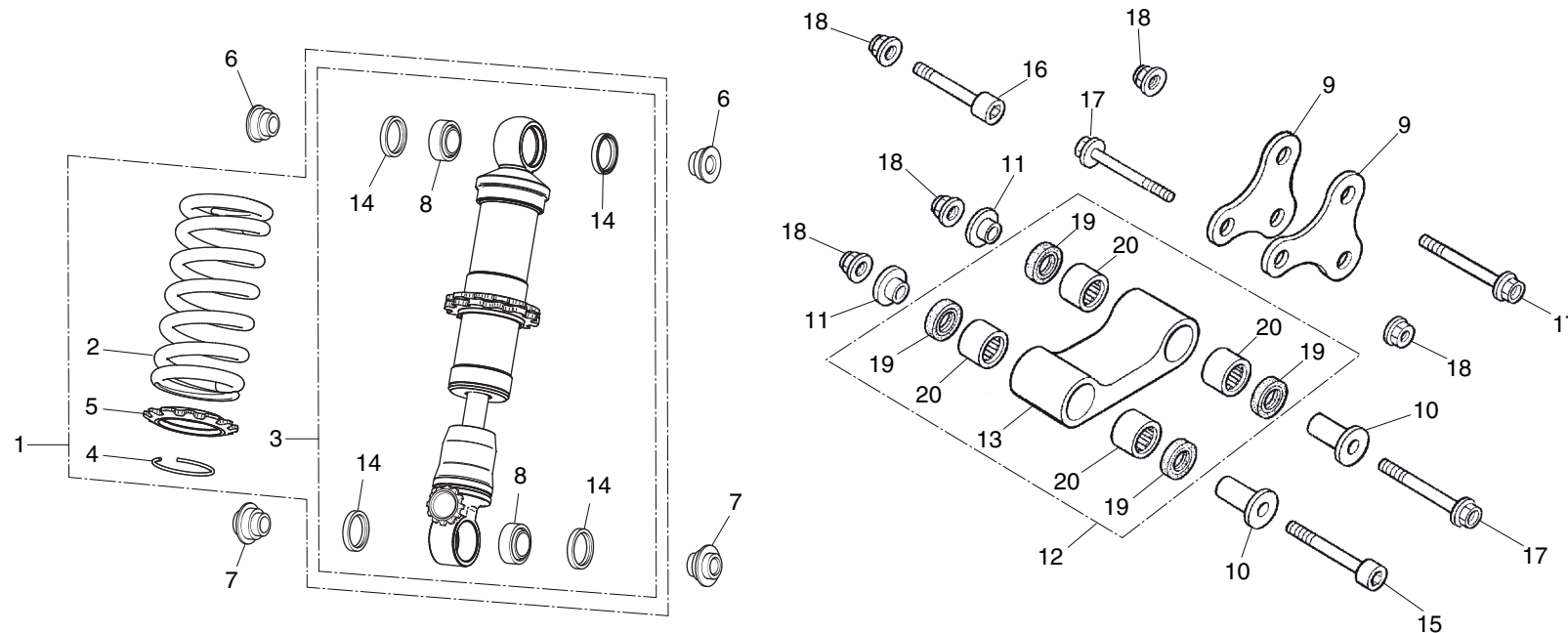
Block No.
F-19
 Swingarm



FR.

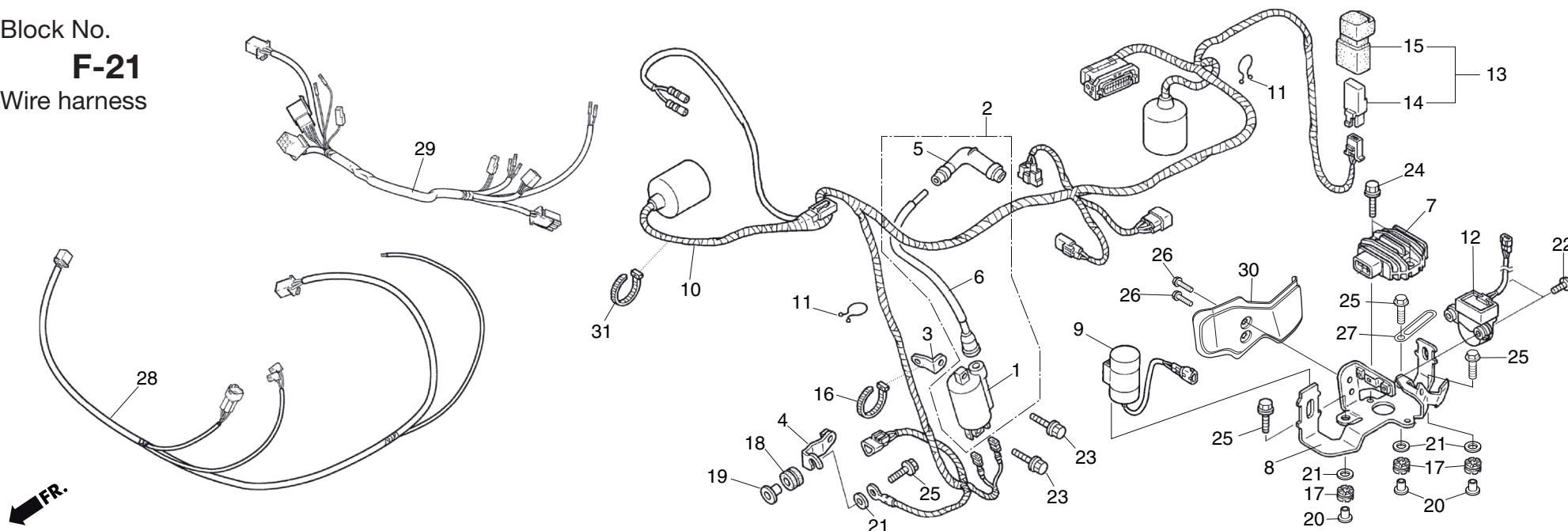
No.	Part Number	Description	Qty.	FRT	No.	Part Number	Description	Qty.	FRT
33	93600-05016-0G	SCREW, FLAT 5X16.....	1	—					
34	93891-05032-00	SCREW 5X32	2	—					
35	93913-15280	SCREW, TAPPING 5X12.....	2	—					
36	94050-05000	NUT, FLANGE 5mm.....	2	—					
37	95003-43004-20	V.TUBE, 13X15X40	1	—					
38	96001-06012-00	BOLT, FLANGE SH 6X12.....	2	—					
39	96600-06010-10	BOLT, SOCKET 6X10.....	2	—					
40	40535-NN4-600	PROTECTOR, FINAL DRIVEN	1	—					
41	50535-NN4-600	PROTECTOR, REAR BRAKE.....	1	—					
42	90111-NN4-600	BOLT SOCKET 6x12	2	—					
43	90504-NN4-600	COLLAR	2	—					
44	87505-NN4-L10	LABEL, TIRE	1	—					
45	87507-NN4-H10	LABEL, DRIVE CHAIN	1	—					
46	43468-KZ3-B00	CLIP, RR BRK HOSE	1	—					
47	52143-NN4-L80	TAPE SWINGARM RR	1	—					
48	90602-NN4-600	TIE-BAND	1	—					

Block No.
F-20
 Rear cushion (Ollé)



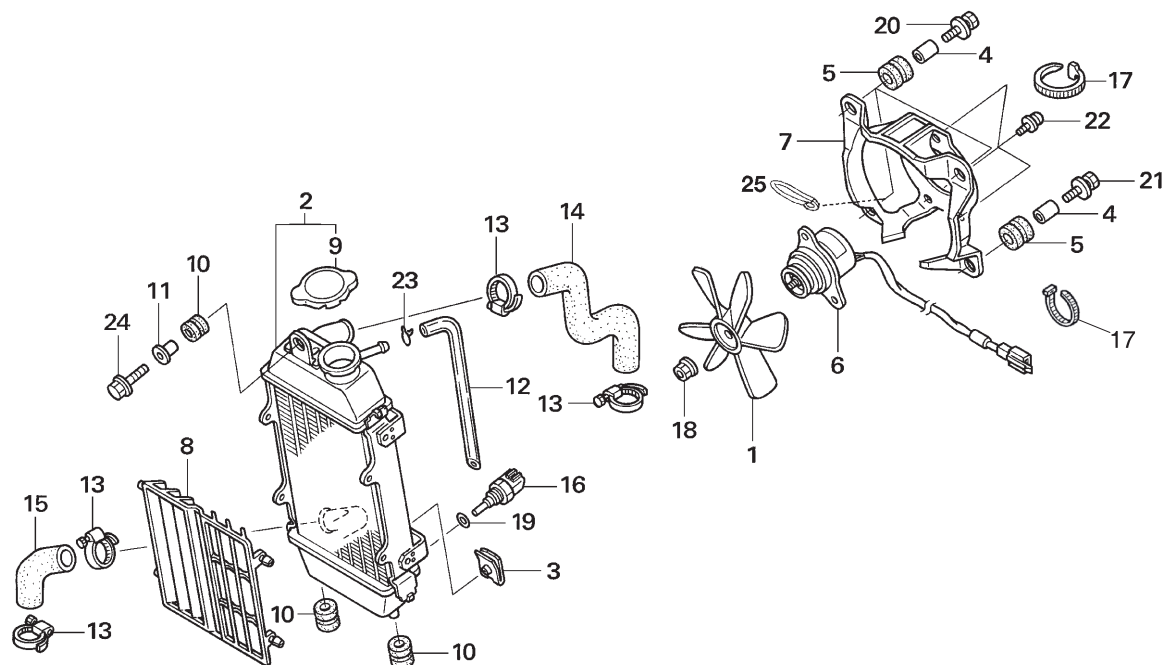
No.	Part Number	Description	Qty.	FRT	No.	Part Number	Description	Qty.	FRT
1	52400-NN4-L80	CUSHION ASSY RR.....	1	0.3	17	90182-NN3-000	BOLT, FLANGE 10X57	3	—
2	52401-NN4-L80	SPRING RR CUSHION.....	1	—	18	90304-GA6-003	NUT, AXLE.....	5	—
3	52410-NN4-L80	DAMPER COMP. RR.....	1	—	19	91051-NN1-000	SEAL, BEARING 15X21X3.....	4	0.6
4	52435-NN4-J10	RING, STOPPER	1	—	20	91071-NN1-000	BEARING, NEEDLE 15X21X12.....	4	0.6
5	52459-NN4-K10	FASTENING BLOCK SPRING	1	—					
6	52486-NN4-J10	UPPER COLLAR, CUSH ARM.....	2	—					
7	52462-NN4-J10	BOTTOM COLLAR, CUSH ARM	2	—					
8	91074-NN4-J10	BEARING, SPHERICAL.....	2	—					
9	52461-NN3-000	ARM, CUSH.....	2	—					
10	52463-NN3-010	COLLAR L., CUSH RINK.....	2	—					
11	52464-NN3-010	COLLAR R., CUSH RINK	2	—					
12	52470-NN3-000	ROD ASSY., CUSH CONN	1	0.3					
13	52471-NN3-000	ROD, CUSH CONN	1	—					
14	91351-NN4-J10	DUST SEAL, CUSHION	4	—					
15	90120-NN3-000	BOLT, SOCKET 10X57.....	1	—					
16	90121-NN4-000	BOLT, SOCKET 10X45.....	1	—					

Block No.
F-21
Wire harness



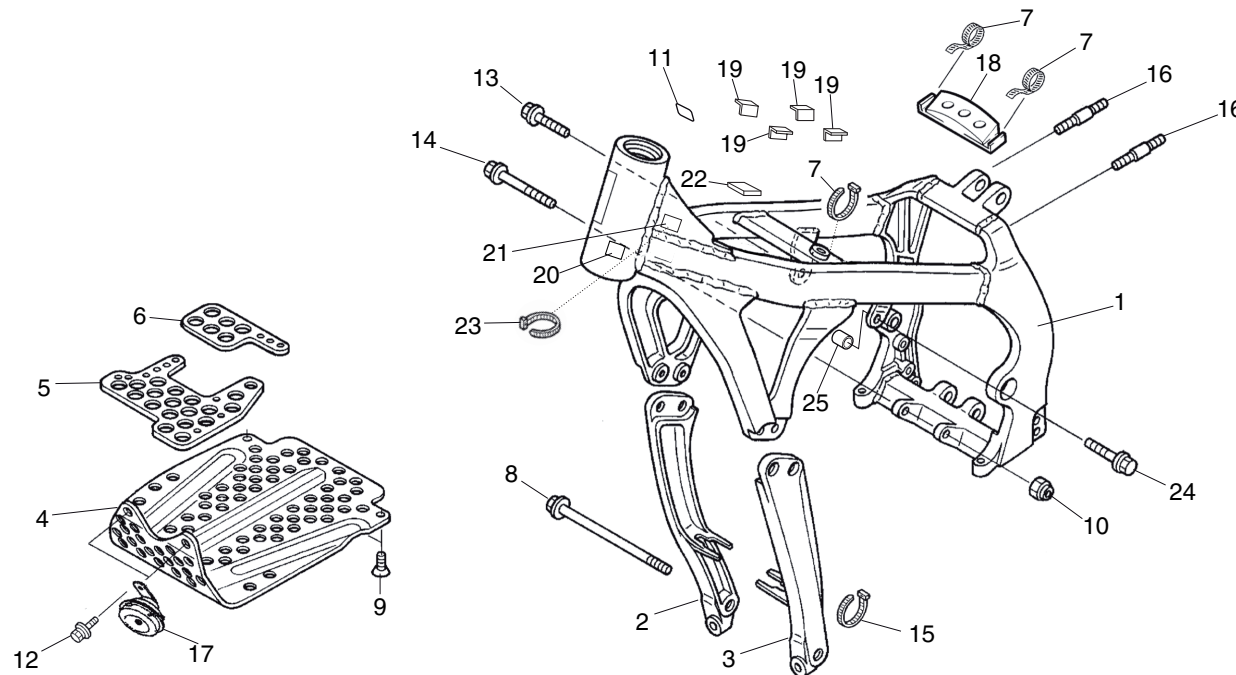
No.	Part Number	Description	Qty.	FRT	No.	Part Number	Description	Qty.	FRT
1	30500-ML7-013	COIL COMP., IGNITION.....	1	—	17	77208-KW7-900	RUBBER B, SEAT MOUNT.....	3	—
2	30510-NN4-000	COIL ASSY., IGNITION.....	1	0.5	18	80101-028-940	RUBBER, SPDMT. SETTING.....	1	—
3	30513-NN4-000	STAY UP, IGNITION COIL.....	1	—	19	30507-NN4-H00	COLLAR, COVER SET.....	1	—
4	30514-NN4-000	STAY LWR, IGNITION COIL.....	1	—	20	90501-425-000	COLLAR, 6.2X12.....	3	—
5	30700-KA2-013	CAP ASSY., NOISE (SUPPRESSOR).....	1	—	21	90525-030-000	WASHER B, HANDLE HOLDER.....	4	—
6	30731-NN4-000	CORD ASSY., HIGH/T.....	1	—	22	92101-04022-0A	BOLT 4X22.....	2	—
7	31600-NN4-003	REGULATOR. RECTIFIER. ASSY.....	1	0.8	23	96001-06018-00	BOLT, FLANGE SH 6X18.....	2	—
8	31605-NN4-G10	STAY, ELECTRIC.....	1	0.8	24	96001-06020-00	BOLT, FLANGE SH 6X20.....	2	—
9	31700-NN4-003	UNIT ASSY., CONDENSER.....	1	0.8	25	96001-06022-00	BOLT, FLANGE SH 6X22.....	4	—
10	32100-NN4-G10	HARNESS, WIRE.....	1	0.9	26	96001-0600800	BOLT 6x8 mm.....	2	—
11	32171-GF9-621	PURSE LOCK.....	2	—	27	91410-KT7-000	CLIP 4X60.....	1	—
12	35160-NN4-003	SENSOR ASSY., BANK ANGLE.....	1	0.8	28	32102-NN4-M80	SUBHARNESS FRAME.....	1	0.7
13	38500-GC7-612	RELAY ASSY., START.....	1	0.8	29	32101-NN4-L80	SUBHARNESS (H/L).....	1	0.3
14	38501-GN2-014	RELAY COMP., START (4P, NO).....	1	—	30	31606-NN4-G10	STAY, ELECTRIC COVER.....	1	—
15	38506-GC7-611	SUSP., START RELAY.....	1	—	31	61312-NN4-D10	TIE-BAND 200 mm.....	1	—
16	90602-NN4-900	TIE-BAND 150 mm.....	1	—					

Block No.
F-22
 Radiator



No.	Part Number	Description	Qty.	FRT	No.	Part Number	Description	Qty.	FRT
1	19009-KT7-000	FAN COMP., COOLING	1	0.6	17	90602-NN4-600	TIE-BAND BLACK 150mm	2	—
2	19010-NN4-013	RADIATOR COMP.	1	0.6	18	90308-KM3-003	NUT, TOOTHED 3mm.....	1	—
3	19014-KEA-003	SET, NUT	4	—	19	90454-MC7-000	WASHER, SPECIAL 12mm.....	1	—
4	19021-NN2-900	COLLAR, FAN SHROUD	4	—	20	93404-06018-07	BOLT-WASHER 6X18	3	—
5	19022-NN2-900	RUB, FAN SHROUD	4	—	21	93404-06020-07	BOLT-WASH, 6X20	1	—
6	19030-NN4-003	MOTOR, COOLING FAN	1	0.6	22	93891-04010-00	SCREW-WASH, 4X10.....	3	—
7	19031-NN4-L10	SHROUD, FAN.....	1	0.6	23	95002-02100	CLIP C10, TUBE.....	1	—
8	19033-NN4-000	GRILL, RADIATOR	1	0.1	24	96001-06028-00	BOLT, FLANGE SH 6X28	1	—
9	19037-MCA-G61	CAP COMP., RAD	1	0.1	25	90601-KJ9-000	CLIP.....	1	—
10	19051-KA3-830	RUBBER, RAD MOUNT	3	—					
11	19052-KA3-830	COLLAR, RAD MT	1	—					
12	19111-NN4-601	TUBE, RADIATOR DRAIN.....	1	—					
13	19504-KY1-003	CLAMP, WATER HOSE D25	4	—					
14	19531-NN4-000	HOSE UP, WATER	1	0.3					
15	19532-NN4-000	HOSE LOW, WATER	1	0.3					
16	37870-NN4-003	SENSOR ASSY., TW.....	1	0.3					

Block No.
F-23
 Frame body

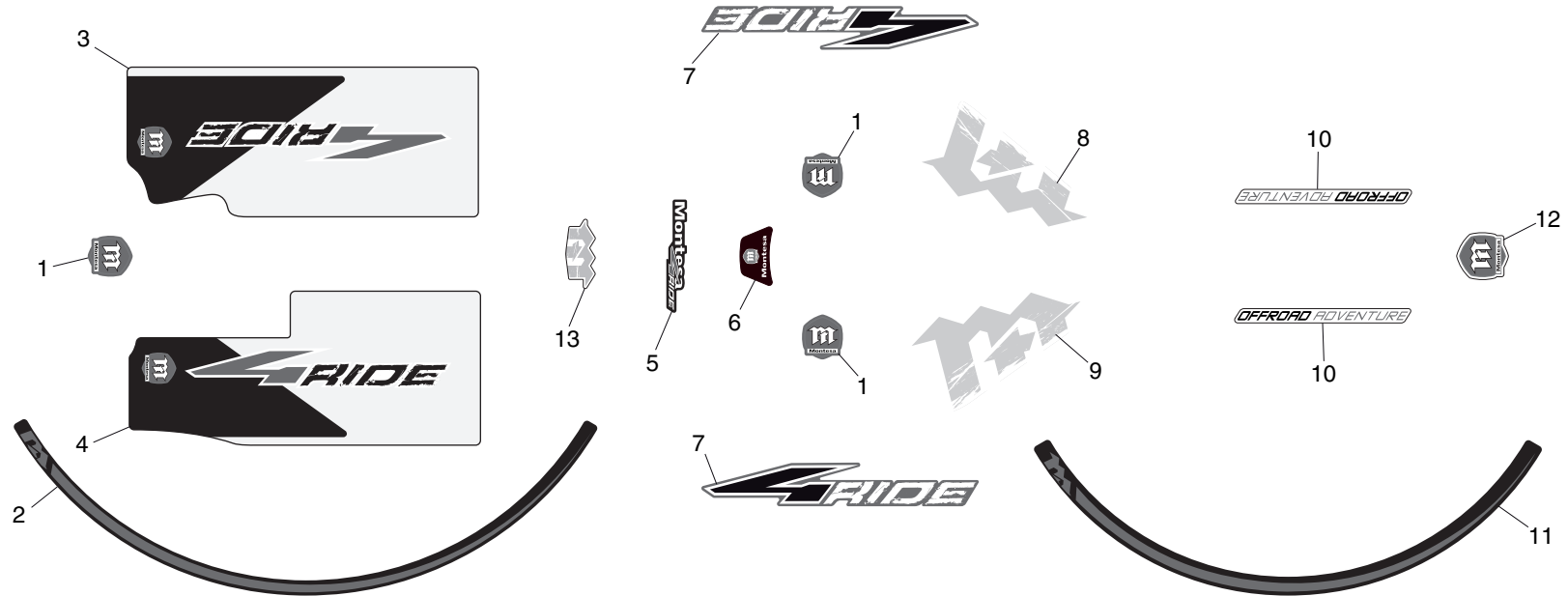


FR.

No.	Part Number	Description	Qty.	FRT	No.	Part Number	Description	Qty.	FRT
1	50100-NN4-J20	FRAME BODY COMP.	1	4.8*	17	38110-NN4-C10	HORN	1	—
2	50310-NN4-H00	SILVER TUBE RH., DOWN	1	0.3	18	80121-NN4-600	PROTECTOR RUBBER	1	—
3	50320-NN4-H00	SILVER TUBE LH., DOWN	1	0.3	19	17506-NN4-000	RUBBER, FUEL TANK	6	—
4	50351-NN4-000	PLATE, SKID	1	0.1	20	87501-NN4-G10	MARK CE STICKER	1	—
5	50352-NN4-000	RUBBER A, ENG CUSH	1	—	21	90604-NN4-C10	AUTOADHESIVE BASE	1	—
6	50353-NN4-000	RUBBER B, ENG CUSH	1	—	22	17513-NN3-300	FUEL TANK PROTECTOR	1	—
7	61312-NN4-D10	TIE-BAND 200 mm	2	—	23	90603-NN4-C10	TIE-BAND BLACK 95mm	1	—
8	90119-MJ0-000	BOLT, FLANGE 10X130	1	—	24	96300-08032-00	BOLT, FLANGE 8X32	1	—
9	90125-NN2-900	SCREW, FLANT 8X20	2	—	25	50343-NN3-000	COLLAR UP ENG HANGER	1	—
10	90304-GA6-003	NUT, AXLE	1	—					
11	86150-NN4-K10	EMBLEM, PRODUCT	1	—					
12	93405-08020-00	BOLT-WASHER 8X20	2	—					
13	96300-08018-00	BOLT, FLANGE DR 8X18	1	—					
14	96400-10085-00	BOLT, FLANGE DR 10X85	1	—					
15	90602-NN4-600	TIE-BAND BLACK 150 mm	1	—					
16	92900-06022-0B	STUD 2. 6X22	2	—					

* INCLUDES: Engine removal and installation

Block No.
F-24
Emblem Stripe



No.	Part Number	Description	Qty.	FRT	No.	Part Number	Description	Qty.	FRT
1	87131-NN4-L80	STRIPE EMBLEM FR FENDER.....	3	—					
2	87144-NN4-L80	STRIPE PROTECTOR RIM FR.....	4	—					
3	87139-NN4-L80	STRIPE R, FR. FORK	1	—					
4	87140-NN4-L80	STRIPE L, FR. FORK	1	—					
5	87143-NN4-L80	STRIPE H/L VISOR.....	1	—					
6	86150-NN4-K10	EMBLEM "M / MONTESA"	1	—					
7	87132-NN4-L80	STRIPE COWL SIDE R/L.....	2	—					
8	87153-NN4-L80	STRIPE R SIDE COVER	1	—					
9	87154-NN4-L80	STRIPE L SIDE COVER	1	—					
10	87135-NN4-L80	STRIPE RR FENDER R/L.....	2	—					
11	87142-NN4-L80	STRIPE PROTECTOR RIM RR	4	—					
12	87136-NN4-L80	EMBLEM RR FENDER	1	—					
13	87156-NN4-L80	STRIPE M, H/L VISOR.....	1	—					

PART No. INDEX 2017

Part No.	Block	Ref.No.	Part No.	Block	Ref.No.	Part No.	Block	Ref.No.	Part No.	Block	Ref.No.
11000			14460-NN4-000	E-02	6	16712-MEN -A30	F-13	8	18332-NN4-G10	F-16	19
11100-NN4-B00	E-11	1	14510-NN4-000	E-03	2				18371-KCR-000	F-16	6
11105-NN4-000	E-11	2	14515-KF0-000	E-03	3	17000			18383-NN4-G10	F-16	18
11191-NN4-000	E-11	3	14520-KRN-671	E-03	4	17211-NN4-000	F-15	3	18391-HB7-000	F-16	7
11200-NN4-G00	E-11	4	14560-MEN-671	E-03	5	17212-NN4-000	F-15	4	18601-MBW-003	E-11	11
11206-NN4-000	E-11	5	14620-NN4-000	E-03	6	17213-NN4-000	F-15	5			
11330-NN4-000	E-05	1	14711-NN4-000	E-02	7	17230-NN4-H00	F-15	6	19000		
11340-NN4-010	E-09	1	14721-NN4-000	E-02	8	17231-NN4-300	F-15	7	19009-KT7-000	F-22	1
11350-NN4-000	E-05	2	14751-NN4-000	E-02	9	17232-NN4-300	F-15	8	19010-NN4-013	F-22	2
11352-NN4-003	E-05	3	14752-NN4-000	E-02	10	17234-NN4-300	F-15	27	19014-KEA-003	F-22	3
11394-NN4-000	E-05	4	14771-KW3-900	E-02	11	17236-NN4-L80	F-15	9	19021-NN2-900	F-22	4
11395-NN4-000	E-09	2	14776-NN4-000	E-02	12	17253-NN4-000	F-15	10	19022-NN2-900	F-22	5
			14781-ML0-720	E-02	13	17255-KRJ-900	F-15	11	19030-NN4-003	F-22	6
						17358-NN2-000	F-15	12	19031-NN4-L10	F-22	7
12000			15000			17506-NN4-000	F-23	19	19033-NN4-000	F-22	8
12010-NN4-000	E-01	1	15111-NN4-000	E-07	1	17510-NN4-M80	F-13	2	19037-MCA-G61	F-22	9
12100-NN4-D00	E-04	1	15133-NN4-000	E-07	2	17513-NN3-300	F-23	22	19051-KA3-830	F-22	10
12191-NN4-003	E-04	2	15220-MEB-770	E-09	3	17519-NN4-L10	F-13	15	19052-KA3-830	F-22	11
12203-KA5-690	E-01	2	15331-324-000	E-07	3	17521-NN4-M10	F-13	20	19052-MAC-680	F-16	8
12209-ML0-722	E-02	1	15332-324-000	E-07	4	17522-NN4-M10	F-13	25	19111-NN4-601	F-22	12
12251-KRN-731	E-01	3	15412-MEN-671	E-11	6	17523-NN4-G00	F-13	6	19114-NN4-600	F-13	18
12312-NN4-000	E-01	4	15412-NN4-000	E-11	7	17524-NN4-M10	F-13	24	19215-GC4-731	E-08	1
12351-NN4-000	E-01	5	15414-MEB-670	E-11	8	17551-NN4-000	F-15	14	19221-NN4-000	E-08	2
			15421-NN4-000	E-11	9	17552-NN4-000	F-15	15	19229-NN4-000	E-08	3
13000			15611-KA3-710	E-05	5	17553-NN4-000	F-15	16	19240-NN4-010	E-08	4
13000-NN4-D00	E-12	1	15650-NN4-000	E-11	10	17554-NN4-000	F-15	17	19504-KY1-003	F-22	13
13011-NN4-D00	E-12	2	15707-634-000	F-15	1	17575-MEN -A30	F-13	22	19531-NN4-000	F-22	14
13101-NN4-D00	E-12	3				17576-MEN -A30	F-13	23	19532-NN4-000	F-22	15
13111-KRN-850	E-12	4	16000			17621-NN4-M10	F-13	10			
13115-147-000	E-06	1	16016-NN4-003	E-16	6	17624-NN4-M10	F-13	11	22000		
13115-KM7-700	E-12	5	16180-ML6-671	F-13	26	17625-NF4-003	F-13	3	22100-NN4-000	E-06	2
13331-357-000	E-12	6	16211-NN4-000	E-01	6	17711-S0X-931	E-16	5	22121-NN4-000	E-06	3
13617-NN4-000	E-12	7	16213-NN4-J10	E-01	27	17910-NN4-B01	F-01	1	22201-KY2-000	E-06	4
			16215-NN4-000	E-01	7				22201-NN4-B00	E-06	5
14000			16216-MCZ-000	E-01	8	18000			22321-MG3-000	E-06	6
14100-NN4-D00	E-02	2	16400-NN4-M11	E-16	1	18291-NN4-000	F-16	1	22351-NN4-000	E-06	7
14401-NN4-003	E-03	1	16420-NN4-L10	E-16	2	18310-NN4-L80	F-16	2	22352-NN4-000	E-06	8
14430-NN4-000	E-02	3	16700-NX7-003	F-13	1	18320-NN4-L80	F-16	4	22361-NN4-000	E-06	9
14440-NN4-000	E-02	4	16711-MEN-A30	F-13	9	18323-NN4-M10	F-16	5	22402-NN4-000	E-06	10
14450-NN4-000	E-02	5									

PART No. INDEX 2017

Part No.	Block	Ref.No.	Part No.	Block	Ref.No.	Part No.	Block	Ref.No.	Part No.	Block	Ref.No.
22403-NN4-L60	E-06	20	24321-KZ4-620	E-14	9	31000			35160-NN4-003	F-21	12
22863-NN3-000	E-05	6	24322-MM4-000	E-14	10	31110-NN4-003	E-10	1	35342-NN4-600	F-02	10
22864-NN3-000	E-05	7	24324-KA3-711	E-14	11	31120-NN4-B01	E-10	2	35350-NN4-600	F-02	8
22880-NN4-J11	F-03	1	24325-KA3-711	E-14	12	31121-NN4-000	E-10	3	35350-NN4-L80	F-11	11
22882-NN4-J10	F-02	5	24326-KBH-901	E-14	13	31600-NN4-003	F-21	7	35351-NN4-600	F-02	9
22882-NN4-J10	F-03	5	24328-NN4-000	E-14	14	31605-NN4-G10	F-21	8	35351-NN4-M80	F-18	22
22883-NN4-J10	F-03	2	24329-KA3-740	E-14	15	31606-NN4-G10	F-21	30	35700-NN4-M10	F-18	20
22886-NN4-J10	F-03	4	24430-NN4-000	E-14	16	31700-NN4-003	F-21	9	35NN4M10	E-01	28
22900-NN4-J11	F-03	10	24435-KA3-710	E-14	17				36000		
			24610-NN4-000	E-14	18	32000			36532-GFC-771	F-16	17
23000			24651-MEB-670	E-14	19	32100-NN4-G10	F-21	10			
23121-NN4-000	E-12	8	24652-HA0-000	E-14	20	32101-NN4-L80	F-21	29	37000		
23211-NN4-L80	E-13	1	24700-NN4-K10	F-17	1	32102-NN4-M80	F-21	28	37200-NN4-M10	F-04	17
23221-NN4-L80	E-13	2				32103-NN4-L10	F-13	19	37870-NN4-003	F-22	16
23225-KS6-000	E-13	3	28000			32171-GF9-621	F-21	11			
23411-NN4-L80	E-13	4	28210-NN4-000	E-15	1	32807-SA0-003	F-04	33	38000		
23413-NN4-000	E-13	5	28230-NN4-000	E-15	2	32NN4M10	E-01	28	38110-NN4-C10	F-23	17
23421-NN4-L80	E-13	6	28237-KZ4-A10	E-06	11				38300-NN4-G10	F-04	24
23422-GB4-770	E-13	7	28241-KA3-710	E-15	3	33000			38500-GC7-612	F-21	13
23431-NN4-L80	E-13	8	28242-KA3-710	E-15	4	33100-NN4-L80	F-04	2	38500-GC7-612	F-04	23
23441-NN4-L80	E-13	9	28251-NN4-000	E-15	5	33140-NN4-L80	F-04	35	38501-GN2-014	F-21	14
23451-NN4-L80	E-13	10	28261-KA3-710	E-15	6	33141-NN4-L80	F-04	36	38506-GC7-611	F-21	15
23452-NN4-000	E-13	11	28262-NN4-010	E-15	7	33400-NN4-L80	F-04	8			
23461-NN4-L80	E-13	12	28263-NN4-000	E-15	8	33450-NN4-L80	F-04	9	3L000		
23462-NN4-000	E-13	13	28282-NN4-000	E-15	9	33600-NN4-L80	F-14	42	3LNN4M10	E-01	28
23471-NN4-L80	E-13	14	28300-NN4-L60	F-17	2	33650-NN4-L80	F-14	43			
23481-NN4-L80	E-13	15	28302-NN4-000	F-17	3	33700-NN4-L80	F-14	33	3P000		
23491-NN4-L80	E-13	16	28306-MEN-670	F-17	4	33720-NN4-L80	F-14	39	3PNN4M10	E-01	28
23801-NN4-000	E-13	17	28333-KK0-000	F-17	5	33741-KEB-6210M1	F-14	41			
						33741-NN4-M11	F-06	11	40000		
24000			30000			33742-NN4-M10	F-06	12	40510-NN3-000	F-19	1
24211-KRN-730	E-14	1	30500-ML7-013	F-21	1	33743-NN4-M10	F-06	13	40530-NN2-000	F-19	2
24221-KRN-730	E-14	2	30507-NN4-H00	F-21	19	33NN4M10	E-01	28	40531-NN2-000	F-19	3
24231-NN4-000	E-14	3	30510-NN4-000	F-21	2				40535-NN4-600	F-19	40
24241-MEN-670	E-14	4	30513-NN4-000	F-21	3	34000			40544-NN4-C00	F-12	1
24242-MEN-670	E-14	5	30514-NN4-000	F-21	4	34901-NN4-L80	F-04	34			
24311-NN4-000	E-14	6	30700-KA2-013	F-21	5	34NN4M10	E-01	28	41000		
24312-KA3-741	E-14	7	30731-NN4-000	F-21	6				41201-NN4-J30	F-12	2
24315-HA0-000	E-14	8				35000					
						35150-NN4-L80	F-01	2			

PART No. INDEX 2017

Part No.	Block	Ref.No.	Part No.	Block	Ref.No.	Part No.	Block	Ref.No.	Part No.	Block	Ref.No.
42000			44712-400-004	F-09	13	50541-MBL-610	F-18	2	52141-NN2-000	F-19	8
42301-NN3-000	F-12	3	44715-NN4-J10	F-09	10	50542-MBL-610	F-18	6	52143-NN4-L80	F-19	47
42311-NN4-H00	F-12	4	44800-NN4-J10	F-10	4	50600-NN4-L80	F-18	4	52144-KA3-731	F-19	9
42312-NN4-H00	F-12	5				50603-NN4-L80	F-18	5	52157-NN4-J10	F-19	10
42515-NN4-J10	F-12	23	45000			50616-NN4-L80	F-18	7	52170-NN4-000	F-19	11
42602-NN4-J10	F-12	6	45100-NN4-L80	F-08	1	50617-NN4-L80	F-18	8	52171-NN3-000	F-19	12
42603-NN4-J10	F-12	7	45105-NN4-L80	F-08	2	50618-NN4-L80	F-18	9	52181-NN4-000	F-19	13
42604-NN4-J10	F-12	8	45120-NN4-K20	F-08	3	50642-NN4-L80	F-18	10	52182-NN4-000	F-19	14
42605-NN4-J10	F-12	9	45125-NN4-L80	F-02	13	50700-NN4-L80	F-18	11	52400-NN4-L80	F-20	1
42606-NN4-J10	F-12	17	45351-NN4-L80	F-09	14				52401-NN4-L80	F-20	2
42607-NN4-J10	F-12	10	45352-NN4-000	F-09	16	51000			52410-NN4-L80	F-20	3
42620-NN4-H00	F-12	12	45468-NN2-000ZA	F-04	37	51400-NN4-L80	F-07	24	52435-NN4-J10	F-20	4
42650-NN4-J10	F-12	11	45500-NN4-K20	F-02	1	51410-NN4-L80	F-07	3	52459-NN4-K10	F-20	5
42701-NN4-J10	F-12	13	45530-NN4-J10	F-02	4	51412-NN4-J11	F-07	14	52461-NN3-000	F-20	9
42753-NN4-J10	F-12	15	45540-NN4-K20	F-02	2	51414-NN4-J11	F-07	16	52462-NN4-J10	F-20	7
						51415-NN4-J11	F-07	15	52463-NN3-010	F-19	15
43000			46000			51420-NN4-J11	F-07	17	52463-NN3-010	F-20	10
43100-NN4-L80	F-10	1	46500-NN4-000	F-17	6	51421-NN4-J11	F-07	20	52464-NN3-010	F-19	16
43105-NN4-L80	F-10	2	46514-KY2-700	F-19	5	51422-NN4-L10	F-07	11	52464-NN3-010	F-20	11
43120-NN4-L80	F-10	3	46521-NN4-000	F-17	7	51425-NN4-J11	F-07	13	52470-NN3-000	F-20	12
43121-NN4-L80	F-12	16	46525-KK0-003	F-17	8	51430-NN4-L80	F-07	21	52471-NN3-000	F-20	13
43310-NN4-L80	F-11	1	46531-NN4-000	F-17	9	51437-NN4-J11	F-07	22	52486-NN4-J10	F-20	6
43352-568-003	E-05	8	46532-NN4-000	F-17	10	51441-NN4-J11	F-07	19			
43353-461-771	E-05	9				51447-NN4-J11	F-07	12	53000		
43468-KZ3-B00	F-19	46	50000			51450-NN4-J11	F-07	1	53100-NN4-L80	F-04	25
43500-NN4-K11	F-11	2	50100-NN4-J20	F-23	1	51458-NN4-J11	F-07	23	53121-NN4-J10	F-04	32
43510-NN2-900	F-11	3	50310-NN4-H00	F-23	2	51500-NN4-L80	F-07	25	53131-NN4-J10	F-04	30
43511-NN4-000	F-11	4	50320-NN4-H00	F-23	3	51501-NN4-L80	F-07	6	53141-NN4-000	F-01	3
43520-NN4-K10	F-11	5	50343-NN3-000	F-23	25	51502-NN4-L80	F-07	5	53142-NN3-000	F-01	4
			50351-NN4-000	F-23	4	51510-NN4-L80	F-07	4	53160-NN4-000	F-01	5
44000			50352-NN4-000	F-23	5	51520-NN4-J11	F-07	9	53161-NN3-000	F-01	6
44301-NN4-J10	F-09	1	50353-NN4-000	F-23	6	51530-NN4-L80	F-07	7	53163-NN2-900	F-01	7
44602-NN4-J10	F-09	4	50530-NN4-M80	F-18	1	51531-NN4-J11	F-07	8	53165-NN4-J10	F-01	8
44603-NN4-J10	F-09	5	50530-NN4-M81	F-18	1	51541-NN4-J11	F-07	10	53166-NN4-J10	F-01	9
44608-NN4-J10	F-09	6	50532-NN4-900	F-18	2	51550-NN4-J11	F-07	2	53167-NN2-900	F-01	10
44620-NN4-J10	F-09	8	50354-428-000	F-18	15				53168-NN2-900	F-01	11
44650-NN4-J10	F-09	2	50535-NN4-600	F-19	41	52000			53169-NN2-900	F-01	12
44701-NN4-J10	F-09	3	50536-NN4-M80	F-18	3	52100-NN4-L80	F-19	6	53170-NN4-K20	F-02	3
44708-NN4-J10	F-09	9	50536-NN4-M81	F-18	2	52109-KA4-701	F-19	7	53172-NN4-J30	F-03	12

PART No. INDEX 2017

Part No.	Block	Ref.No.	Part No.	Block	Ref.No.	Part No.	Block	Ref.No.	Part No.	Block	Ref.No.
53173-NN4-J30	F-03	13	64313-NN4-L80	F-14	12	87139-NN4-L80	F-24	3	90089-NN4-J10	F-02	7
53180-NN4-J10	F-03	3	64615-KR1-860	F-13	13	87140-NN4-L80	F-24	4	90089-NN4-J10	F-03	7
53200-NN4-K10	F-05	1	64615-KR1-860	F-04	21	87142-NN4-L80	F-24	11	90101-MAC-680	F-17	11
53214-KA4-701	F-05	3				87143-NN4-L80	F-24	5	90102-GM2-000	F-19	17
53214-KCY-670	F-05	2	77000			87144-NN4-L80	F-24	2	90105-KL8-741	F-18	19
53215-MEE-D00	F-04	29	77100-NN4-M80	F-14	13	87153-NN4-L80	F-24	8	90105-NN4-D00	F-12	18
53229-NN4-G00	F-05	4	77112-NN4-L80	F-14	18	87154-NN4-L80	F-24	9	90105-NN4-D00	F-09	15
53230-NN4-K10	F-04	26	77115-NN4-L80	F-14	14	87156-NN4-L80	F-24	13	90106-KJ6-740	F-13	12
53600-NN4-J10	F-05	7	77116-NN4-L80	F-14	22	87501-NN4-G10	F-23	20	90106-KRN-000	F-13	16
			77119-NN4-L80	F-14	16	87505-NN4-L10	F-19	44	90106-KRN-000	F-04	4
55000			77122-NN4-L80	F-14	17	87507-NN4-H10	F-19	45	90106-KY2-700	F-14	3
55102-166-000	F-15	18	77123-NN4-L80	F-14	49	87586-NN4-L80	F-14	50	90106-NN4-J10	F-14	26
			77208-KW7-900	F-21	17				90106-NN4-J10	F-16	11
			77220-NN4-L80	F-14	25	88000			90107-NN3-000	F-01	13
			77222-NN4-L80	F-14	24	88100-NN4-H11	F-04	5	90107-NN4-J10	F-14	30
61000									90108-GK1-000	F-15	13
61050-NN4-L80	F-06	3	80000			90000			90108-KGB-610	F-16	9
61100-NN4-L80	F-06	1	80101-028-940	F-21	18	90001-NN4-000	E-10	4	90108-MK6-670	F-18	12
61101-NN4-L80	F-06	2	80101-NN4-L80	F-14	29	90002-NN4-000	E-01	10	90110-MBL-610	F-14	8
61102-NN3-820	F-06	7	80105-NN4-L80	F-14	32	90003-KRN-670	E-11	12	90111-NN4-600	F-19	42
61104-357-000	F-13	4	80107-NN4-L80	F-14	46	90004-GHB-600	E-03	7	90112-413-000	E-13	18
61105-NN4-J10	F-06	4	80110-NN3-000	F-15	19	90004-GHB-630	E-03	8	90112-NN4-L80	F-14	40
61108-NN4-L80	F-06	9	80111-NN4-L80	F-15	20	90004-GHB-660	E-06	12	90113-NN4-L80	F-14	7
61310-NN4-L80	F-04	1	80112-NN4-L80	F-15	21	90004-GHB-660	F-14	15	90113-NN4-L80	F-04	7
61312-NN4-D10	F-21	31	80121-NN4-600	F-23	18	90005-896-000	E-10	5	90114-MCH-000	F-16	16
61312-NN4-D10	F-23	7	80126-NN4-L80	F-14	37	90005-NN4-J10	F-02	12	90114-NN4-L80	F-14	38
61313-NN4-L80	F-04	12				90006-KTW-900	F-04	14	90115-MAS-E00	F-16	10
61314-NN4-L80	F-04	13	83000			90012-KK3-830	E-02	14	90115-NN4-000	F-13	17
61315-NN4-L80	F-04	3	83510-NN4-L80	F-16	3	90013-NN4-000	E-12	9	90116-NN4-J11	F-07	18
61319-NN4-L80	F-04	18	83551-GE2-000	F-14	21	90022-MG8-000	E-14	21	90116-NN4-L80	F-14	28
61390-NN4-C10	F-04	10				90031-NN4-000	E-11	13	90117-NN4-000	F-19	18
61391-NN4-C10	F-04	11	86000			90041-NN4-000	E-01	11	90119-MJ0-000	F-23	8
			86150-NN4-K10	F-23	11	90071-MF5-000	E-11	14	90120-NN3-000	F-20	15
64000			86150-NN4-K10	F-24	6	90084-428-000	E-09	4	90121-NN4-000	F-20	16
64207-NN4-L80	F-14	5				90085-MCS-000	E-15	12	90122-NN4-L80	F-14	31
64208-NN4-L80	F-14	6	87000			90088-MEB-670	E-03	9	90124-KZ4-J40	F-04	31
64209-NN4-L80	F-14	9	87131-NN4-L80	F-24	1	90088-NN4-J10	F-02	6	90125-NN2-900	F-23	9
64211-NN4-L80	F-14	1	87132-NN4-L80	F-24	7	90088-NN4-J10	F-03	6	90125-NN4-J10	F-12	19
64212-NN4-L80	F-14	2	87135-NN4-L80	F-24	10	90089-KR0-000	E-01	9	90128-428-020	F-18	13
64311-NN4-L80	F-14	10	87136-NN4-L80	F-24	12						
64312-NN4-L80	F-14	11									

PART No. INDEX 2017

Part No.	Block	Ref.No.	Part No.	Block	Ref.No.	Part No.	Block	Ref.No.	Part No.	Block	Ref.No.
90128-KL4-000	F-08	4	90451-155-000	E-14	23	90602-NN4-900	F-21	16	91202-NN4-003	E-09	9
90135-MGE-640	F-10	5	90452-178-000	E-15	10	90602-NN4-C10	F-19	4	91203-KA4-771	E-11	31
90137-MGE-640	F-18	21	90452-323-000	E-01	17	90603-NN4-C10	F-23	23	91204-HB3-004	E-11	32
90145-NN4-J10	F-03	8	90452-KZ4-000	E-13	21	90604-NN4-C10	F-23	21	91205-KA3-712	E-05	10
90145-NN4-J10	F-11	6	90453-KZ4-000	E-13	22	90608-072-000	E-06	17	91211-KA3-761	E-08	10
90182-NN3-000	F-20	17	90454-GF9-000	E-09	6	90658-NN4-J10	F-03	11	91253-KA3-731	F-19	26
90201-GC4-000	F-19	19	90454-MC7-000	F-22	19	90751-GK1-003	E-09	7	91254-KS6-003	F-19	27
90201-NN3-000	E-06	13	90456-333-000	E-08	6	90851-NN4-B00	F-06	5	91302-MCA-000	E-16	3
90201-NN4-000	E-10	6	90456-KS6-000	E-06	15	90901-NN4-D00	E-11	18	91302-PA9-003	E-11	33
90201-NN4-600	F-06	14	90461-444-000	E-13	23				91303-377-000	E-09	10
90203-MF9-710	F-18	17	90463-ML7-000	E-01	18	91000			91303-436-003	E-01	19
90205-NN4-J10	F-14	35	90463-ML7-000	E-04	3	91001-147-003	E-06	18	91303-HA0-003	E-11	34
90206-250-000	E-02	15	90463-ML7-000	E-08	7	91001-GG2-003	F-17	12	91305-422-000	F-19	28
90232-MB6-680	E-01	12	90482-567-000	E-03	11	91001-KA3-711	E-11	19	91305-PH7-003	E-05	11
90233-MM4-000	E-01	13	90501-425-000	F-21	20	91001-KA4-003	E-08	8	91312-371-013	E-05	12
90304-GA6-003	F-23	10	90501-444-000	E-15	11	91001-KRN-671	E-11	20	91312-NN3-003	E-05	13
90304-GA6-003	F-20	18	90501-ML3-910	E-06	16	91001-KZ4-J11	E-11	21	91316-MJ8-003	E-11	35
90304-MEE-D00	F-04	28	90501-NN4-003	E-13	24	91002-NN4-003	E-11	22	91320-KE1-000	E-05	14
90305-NN2-900	F-12	21	90501-NN4-G00	F-13	5	91004-KRN-671	E-11	23	91320-KE1-000	E-08	11
90308-KM3-003	F-22	18	90502-NN4-000	F-19	20	91004-KY4-900	E-11	24	91351-KA3-711	E-13	27
90309-KF0-003	F-18	14	90503-KRN-000	F-19	21	91006-HA0-003	E-11	25	91351-NN4-J10	F-20	14
90309-NN4-J10	F-12	22	90504-NN4-600	F-19	43	91007-NN4-003	E-02	16	91362-ZC3-000	F-19	29
90320-GE2-760	F-16	14	90506-NN4-C10	F-04	15	91008-NN4-003	E-09	8	91370-461-000	E-02	17
90344-VP7-000	F-14	4	90512-921-0100	F-14	27	91011-KS6-003	E-06	19	91410-KT7-000	E-09	18
90401-KRN-670	E-01	14	90512-921-0100	F-16	20	91012-KA3-710	E-11	26	91410-KT7-000	F-15	2
90402-KY4-900	E-12	10	90512-NN4-L80	F-04	20	91015-425-831	F-05	5	91410-KT7-000	F-21	27
90402-NN4-000	E-10	7	90525-030-000	F-21	21	91022-KA4-740	E-11	27	91414-671-000	F-14	44
90404-NN4-L80	E-13	19	90545-NN4-J10	F-03	9	91051-NN1-000	F-19	22			
90432-KF0-000	E-06	14	90545-NN4-J10	F-11	7	91051-NN1-000	F-20	19	92000		
90435-HB3-000	E-14	22	90548-NN4-J10	F-02	11	91052-NN0-000	F-19	23	92101-04022-0A	F-21	22
90441-KA4-700	E-11	15	90601-360-000	E-13	25	91071-MA0-003	F-19	24	92900-06022-0B	F-23	16
90441-KRN-670	E-11	16	90601-KJ9-000	F-22	25	91071-NN1-000	F-19	25			
90441-ME9-000	E-09	5	90602-360-000	E-13	26	91071-NN1-000	F-20	20	93000		
90441-ME9-000	E-11	17	90602-NN4-600	F-06	10	91074-NN4-J10	F-20	8	93301-06016-0A	E-14	24
90441-MR1-770	E-01	15	90602-NN4-600	F-14	36	91201-148-003	E-08	9	93404-06014-00	F-19	30
90442-397-000	E-03	10	90602-NN4-600	F-19	48	91201-951-003	F-17	13	93404-06014-07	F-14	47
90446-357-000	E-13	20	90602-NN4-600	F-22	17	91201-KS6-004	E-11	28	93404-06018-07	F-22	20
90446-NN4-000	E-01	16	90602-NN4-600	F-23	15	91201-MEB-671	E-11	29	93404-06020-07	F-22	21
90447-KE1-000	E-08	5	90602-NN4-600	F-04	22	91202-MEB-671	E-11	30	93405-08020-00	F-23	12

PART No. INDEX 2017

Part No.	Block	Ref.No.	Part No.	Block	Ref.No.	Part No.	Block	Ref.No.	Part No.	Block	Ref.No.
93500-05008-0A	F-19	31	95000			96001-06055-00	E-05	18			
93600-05012-0G	F-19	32	95002-02100	E-11	39	96001-06055-00	E-11	42			
93600-05016-0G	F-19	33	95002-02100	F-13	21	96001-06060-00	E-08	14			
93600-06010-0H	E-11	36	95002-02100	F-15	24	96001-06070-00	E-11	43			
93891-04010-00	F-22	22	95002-02100	F-22	23	96001-06070-00	F-14	19			
93891-05032-00	F-19	34	95002-02129	F-13	7	96001-06075-00	E-11	44			
93913-14180	F-14	34	95002-NN4-J10	F-11	8	96001-06080-00	E-11	45			
93913-14180	F-15	22	95003-43004-20	F-19	37	96001-06085-00	E-11	46			
93913-14180	F-04	38	95005-55035-20	F-13	14	96100-62013-00	E-02	18			
93913-15280	F-14	23	95005-55225-20	F-15	25	96150-60040-10	F-12	20			
93913-15280	F-19	35	95701-06025-00	F-15	26	96150-60040-10	F-09	7			
93913-15280	F-04	19				96211-08000	F-17	17			
			96000			96220-30178	E-07	5			
94000			96001-0600800	F-21	26	96220-40080	E-14	26			
94001-06000-0S	F-17	14	96001-0601200	F-11	9	96300-08018-00	F-23	13			
94021-060700SMA	F-14	51	96001-06012-00	F-19	38	96300-08025-00	F-18	19			
94050-05000	F-19	36	96001-06014-00	E-11	40	96300-08028-00	F-16	15			
94050-06000	F-14	48	96001-06014-00	E-15	14	96300-08032-00	F-23	24			
94050-06000	F-15	23	96001-06018-00	F-21	23	96300-08035-00	E-09	17			
94050-06000	F-16	12	96001-06020-00	E-01	22	96300-08070-00	E-11	47			
94050-10000	F-14	45	96001-06020-00	F-21	24	96400-10085-00	F-23	14			
94050-10000	F-04	16	96001-0602200	F-06	8	96600-06010-10	F-19	39			
94101-05000	F-06	6	96001-06022-00	E-01	23	96600-06022-00	F-11	10			
94101-06000	F-16	13	96001-06022-00	F-17	15	96600-08025-10	F-05	6			
94102-08000	F-18	18	96001-06022-00	F-21	25	96600-080-2810	F-04	27			
94201-25250	F-18	16	96001-06025-00	E-08	12	96700-06022-00	E-16	4			
94301-08100	E-09	11	96001-06025-00	F-17	16	96700-08032-10	F-17	18			
94301-08140	E-01	20	96001-06028-00	E-01	24						
94301-08140	E-05	15	96001-06028-00	E-04	5	98000					
94301-08140	E-11	37	96001-06028-00	E-05	16	98059-56916-00	E-01	26			
94301-12200	E-01	21	96001-06028-00	E-09	14						
94301-12200	E-04	4	96001-06028-00	F-22	24						
94510-14000	E-14	25	96001-06035-00	E-01	25						
94510-16000	E-15	13	96001-06035-00	E-05	17						
94520-14000	E-09	12	96001-06035-00	E-09	15						
94520-19000	E-11	38	96001-06045-00	E-11	41						
94520-28000	E-09	13	96001-06050-00	E-08	13						
94591-27000	F-04	6	96001-06050-00	E-09	16						
			96001-06050-00	F-14	20						

